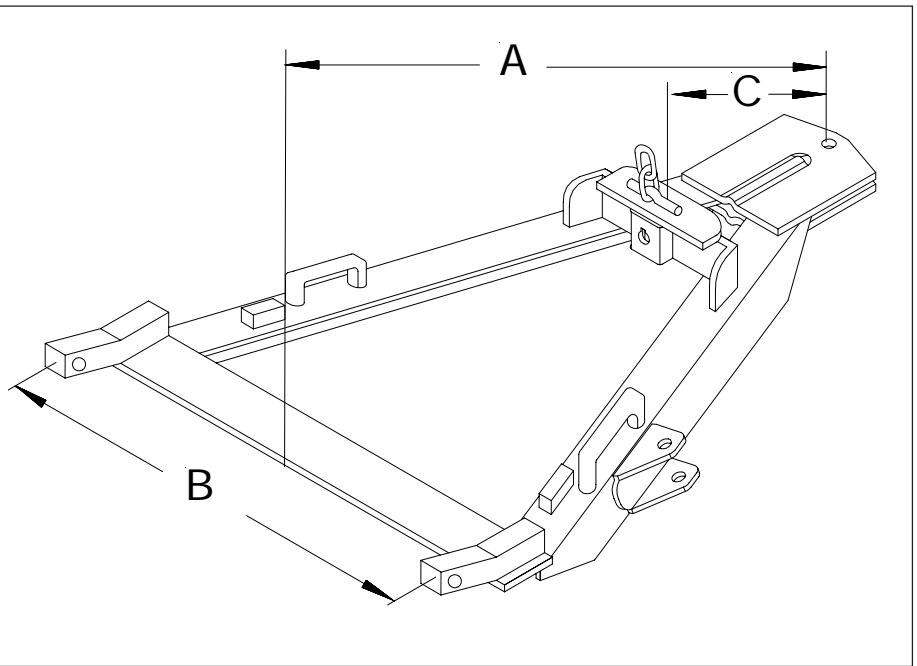
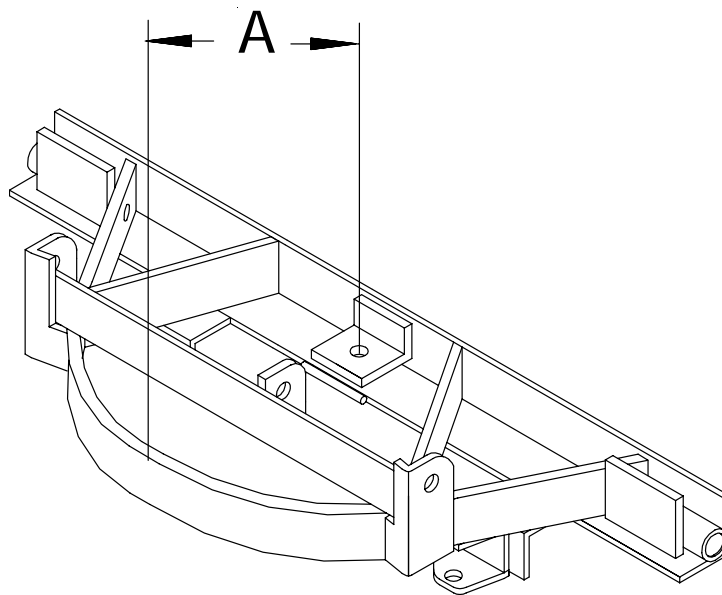


Sector & A-Frame Dimensions (in inches)

Part No.	A	B	C
13299	31	17-1/2	11
13302	37	17-1/2	11
13304	31	23-1/2	11
13306	38	23-1/2	11
13568	40	17-1/2	11
13607	31	23-1/2	11
13612	34	23-1/2	11
13635	34	23-1/2	11
13319	39	23-1/2	15
13324	36	17-1/2	15
13396	39	17-1/2	15
13556	31	23-1/2	15
13569	40	17-1/2	15
13604	31	28	15
13606	32	23-1/2	15
13608	31	23-1/2	15



Part No.	A
12326	11
12182	11
12793	15



Meyer Products reserves the right, under its continuing product improvement program, to change construction or design details, specifications and prices without notice or without incurring any obligation.