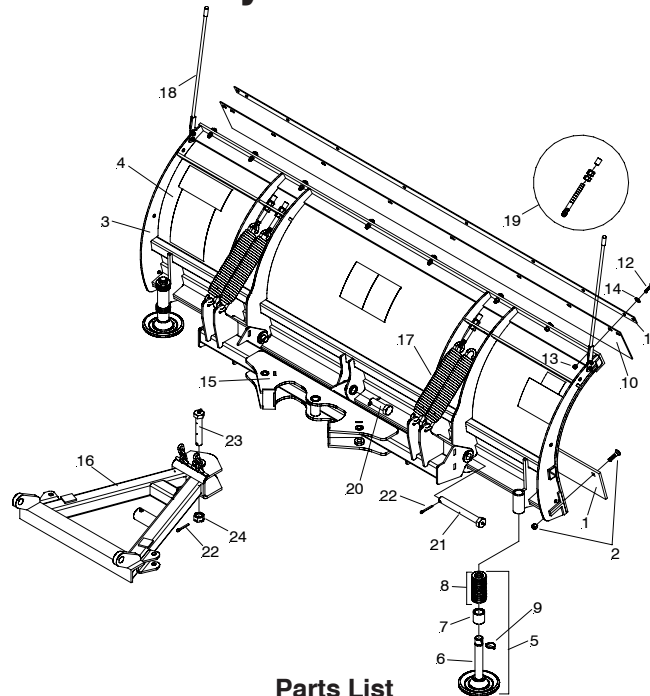


# Parts & Installation Instructions

## EZ Mount Plus Model LPP-7.5 Thru LPP-9.0, LPS-8.0 & LPS-9.0 Lot Pro™ Poly & Stainless Steel Moldboards



Parts List

Item	LPP - 7.5	LPP - 8.0	LPP - 8.5	LPP - 9.0	LPS - 8.0	LPS - 9.0	Qty	Description
	09404	09405	09406	09407	09410	09411	1	<b>Moldboard Assembly</b>
1	09796	09133	09134	07259	09133	07259	1	• Cutting Edge
2	08692	08692	08692	-----	08692	-----	1	• Bolt C 1/2-13 x 2 & Locknut (Kit of 10 each)
2	-----	-----	-----	08318	-----	08318	1	• Bolt C 5/8-11 x 2-1/4 & Locknut (Kit of 12 each)
3	12810	12811	12812	12813	12811	12813	1	• Moldboard Frame Weldment
4	12809	12814	12815	12818	-----	-----	1	• Plastic Sheet
5	-----	-----	-----	-----	13179	13180	1	• Stainless Steel Sheet (304)
5	09362	09362	09362	09362	09362	09362	2	• Mushroom Shoe Casting Assy.
6	12394	12394	12394	12394	12394	12394	1	• Runner Shoe Casting
7	12449	12449	12449	12449	12449	12449	1	• Runner Spacer
8	20363	20363	20363	20363	20363	20363	11	• Flatwasher 1-1/4
9	22083	22083	22083	22083	22083	22083	1	• Linch Pin
10	12073	12009	12014	12118	12009	12118	1	• Deflector
11	12487	12497	12498	12031	12497	12031	1	• Re-Inforcement Bar
12	20051	-----	-----	-----	-----	-----	8	• Bolt H 3/8-16x1-1/2"
12	-----	20051	20051	20051	20051	20051	10	• Bolt H 3/8-16x1-1/2"
13	20305	-----	-----	-----	-----	-----	8	• Locknut 3/8-16
13	-----	20305	20305	20305	20305	20305	10	• Locknut 3/8-16
14	20353	-----	-----	-----	-----	-----	8	• Flatwasher 3/8"
14	-----	20353	20353	20353	20353	20353	10	• Flatwasher 3/8"
	16547	16547	16547	16547	16547	16547	1	<b>Pivot Bar &amp; A-Frame Carton</b>
15	12750	12750	12750	12750	12750	12750	1	• Pivot Bar LP Series
16	13500	13500	13500	13500	13500	13500	1	• A-Frame (3-1/2" x 29" x 22-1/4")
17	07017	07017	07017	07017	07017	07017	4	• Trip Spring
18	08852	08852	08852	08852	08852	08852	1	• Plow Marker Kit
	08152	08152	08152	08152	08152	08152	1	<b>Hardware Bag</b>
19	09124	09124	09124	09124	09124	09124	4	• Eye Bolt w/ Locknut & Cap
20	22331	22331	22331	22331	22331	22331	1	• Hex Head Pin 1 x 3-5/16"
21	22375	22375	22375	22375	22375	22375	2	• Pivot Pin 1 x 8-3/4" w/grease fitting
22	20406	20406	20406	20406	20406	20406	4	• Cotter Pin 3/16 x 1-1/2"
23	22398	22398	22398	22398	22398	22398	1	• King Pivot Bolt 1-8 x 5-1/2" w/grease fitting
24	22274	22274	22274	22274	22274	22274	1	• Hex Nut Slotted 1-8

Parts indented are included in the assembly under which they are indented.

## INSTALLATION INSTRUCTIONS

Note: The following instructions cover assembly of Moldboard, Pivot Bar and A-Frame. Refer to separate instructions for installation of plow mounting and hydraulic system.

- A. Liberally coat Pivot Pins (20 & 21) with chassis lubricant.
- B. Attach Pivot Bar (15) to Moldboard Frame Weldment (3) with Pivot Pins (20 & 21) (grease fitting facing outward) and insert Cotter Pins (22). Grease outer Pivot Pin's (21) using grease fitting.
- C. Attach Eye Bolts (19) to Moldboard Frame Weldment (3) and Trip Springs (17) to Pivot Bar (15), making certain locknuts are positioned as shown in Figure 1.
- D. Make certain each Eye Bolt (19) is in a vertical position as shown in Figure 1 so that the Eye Bolt (19) and Trip Spring (17) hinge properly when moldboard trips.

Note: Proper tension is attained when Trip Spring (17) coils just begin to separate and then tightening top locknut four additional turns. Tighten bottom Locknut (20530) to secure Eyebolt in position. Install Eyebolt caps (07031) over exposed threads. See Figure 1.

- E. Attach A-Frame (16) to Pivot Bar (15) using King Pivot Bolt (23), Hex Nut Slotted (24) and Cotter Pin (22). **IMPORTANT:** Install King Pivot Bolt (23) from top so that grease fitting is easily accessible. Grease King Pivot Bolt (23) using grease fitting.

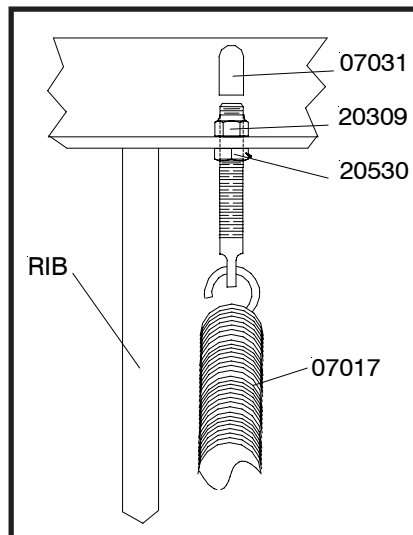


Figure 1

Meyer Products LLC  
18513 Euclid Ave. • Cleveland, Ohio 44112-1084  
Phone 486-1313 (Area Code 216)  
www.meyerproducts.com • email info@meyerproducts.com

Meyer Products LLC  
6 Angell Lane • Damariscotta, ME 04543-4507  
Phone 563-2227 (Area Code 207)  
www.meyerproducts.com • email info@meyerproducts.com

**Meyer**<sup>®</sup>