

PARTS & INSTALLATION INSTRUCTIONS

DRIVE PRO™

UNIVERSAL CLEVIS AND LIFT FRAME (CLF)

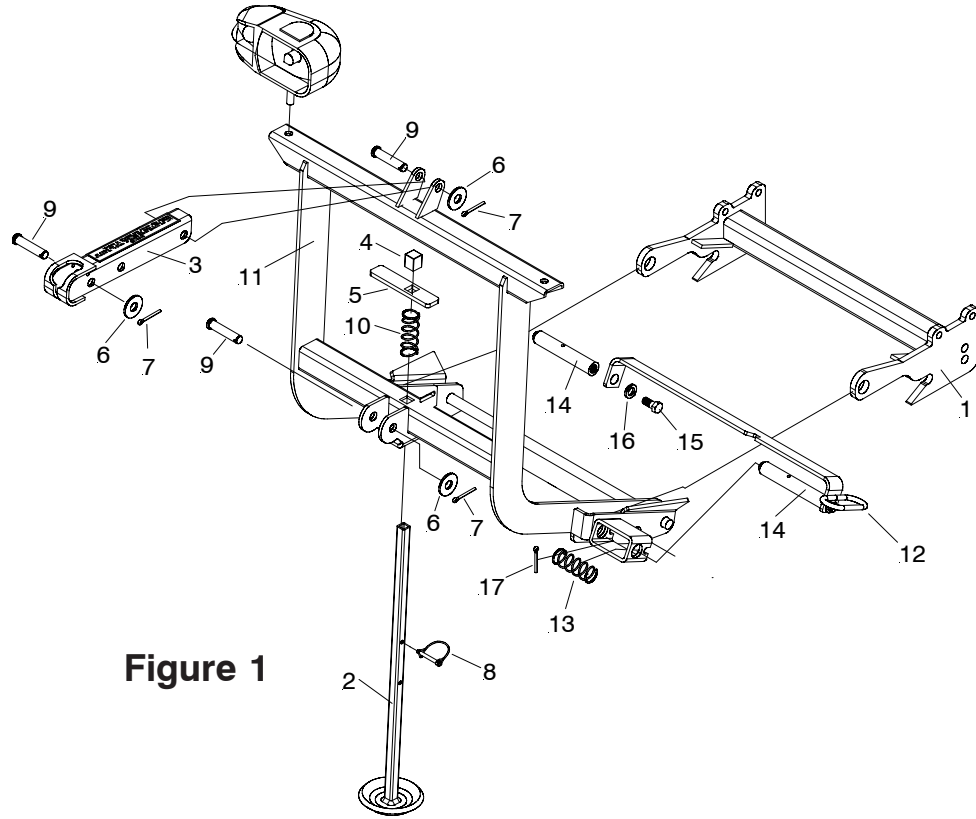


Figure 1

PARTS LIST

Item	Part No.	Qty.	Description
	16601	1	Drive Pro™ CLF Assembly
	16602	1	• Drive Pro™ Clevis Carton
1	19836	1	•• Drive Pro™ Clevis Frame
2	19709	1	•• Jack Stand
3	10514	1	•• Lift Arm
	08142	1	•• MOUNTING HARDWARE BAG
4	07354	1	••• Cap/Plug 3/4"
5	19703	1	••• Jack Lever
6	20357	3	••• Flatwasher 5/8"
7	20385	3	••• Cotter Pin 1/8 x 1-1/4"
8	22399	1	••• Wire Lynch Pin
9	22719	3	••• Pivot Pin
10	814000005	1	••• Spring
	19944	1	• Lift Frame Assembly
11	19421	1	• Lift Frame
12	19781	1	• Handle Pin
13	814000005	1	• Spring
14	19775	2	• Pin
15	22010	2	• Bolt H 3/8-16 x 1-1/4" Patch
16	22260	2	• Poly Washer 3/8"
17	20406	1	• Cotter Pin 3/16 x 1-1/2"

Parts indented are included in the carton, bag or assembly under which they are indented.

Meyer Products LLC reserves the right, under its continuing product improvement program, to change construction or design details, specifications and prices without notice or without incurring any obligation.

Meyer Products LLC
18513 Euclid Ave. • Cleveland, Ohio 44112-1084
Phone 486-1313 (Area Code 216)
www.meyerproducts.com • email info@meyerproducts.com

Meyer Products LLC
6 Angell Lane • Damariscotta, ME 04543-4507
Phone 563-2227 (Area Code 207)
www.meyerproducts.com • email info@meyerproducts.com

GENERAL INFORMATION

CAUTION: Always disconnect battery before beginning installation.

DO NOT BURN holes or **WELD** vehicle frame. This may cause frame failure.

After first use, re-tighten all mounting bolt connections to specified torque. All mounting bolt connections to be checked periodically for tightness.

Locknuts are furnished **DO NOT** tighten bolts and nuts until installation is complete (unless otherwise specified), then be sure to tighten all attaching parts per specified torque chart.

NOTE: It is important that the Meyer harness, all wires from the Meyer light switch, and all other electrical wires be routed around hot or moving engine parts, and any sharp metal. Protection must be provided to guard against wire damage at these points. All excess or loose wires must be neatly secured using wire ties.

Check contents against the parts list to determine all are correct and included, and also to familiarize yourself with them.

SAFETY PRECAUTIONS should be used when **Hydraulic Unit is in OPERATION** and plow is in a **RAISED** position. **Lower plow to ground when vehicle is PARKED.**

OVERHAUL and **SERVICE INFORMATION** are covered on separate instructions.

Follow these instructions explicitly. Warranty does not apply to a Meyer product which has been negligently or improperly assembled or installed.

INSTALLATION INSTRUCTIONS

- A. Assemble Clevis Frame (1) to vehicle per separate Mounting Carton Instructions.
- B. **Note: Handle Pin has been pre-assembled to the Lift Frame.** Assemble Pin (14) to Handle Pin (12) using 3/8-16 x 1-1/4" Bolt (15) and 3/8" Poly washer (16). Only tighten until head of bolt begins to touch poly washer. Assemble to Lift Frame (11) by inserting the Pin (14) through the Lift Frame plates, through the center of the spring (13). Compress the spring (13) slightly with your fingers and insert the 3/16" x 1-1/2" Cotter Pin (17) through the small hole towards the center of the pin. With cotter pin (17) fully inserted, bend the cotter pin in place. Align the notch on the Handle Pin (12) to Lift Frame (11) to lock in place (disengaged). **Note: Lubricate the stainless steel pins and Lift Frame bearing surfaces with chassis grease or anti-seize lubricant periodically for easier disengagement of pins.**
- C. Slide Jack Stand (2) thru bottom of Lift frame (11), Spring (10) and Jack Lever (5). **Be sure short side of Jack Lever (5) is oriented into the slot of the Lift Frame.** **Note: Wire Lynch Pin (8) is used to Lock the Jack Stand (2) in the raised position once the plow is attached to the vehicle.**

- D. Attach Lift Frame (11) to Clevis Frame (1) (Ref. Figure 1). Twist the Handle Pin so that the two Pins (14) engage. The spring loaded pin should snap into place locking the lift frame to the clevis frame.
- E. Attach Lift Arm (3) to Lift Frame (11), Mount Hydraulic unit to lift frame (15) and to lift arm (4) using Pivot Pin (9), 5/8" Washer (6) and 1/8 x 1-1/4" Cotter Pin (7).
- F. Install hydraulic system and light system per separate instructions.
- G. Pre-Assemble Moldboard Assembly per separate instructions.
- H. Attach the Lift Chain to the Lift Arm (3) through the hook on the lift arm. Adjust the lift chain at the lift arm so that there are 2-3 links of slack. This ensures that the plow blade will lift fully and be able to follow the ground contour while plowing.

DETACHING THE COMPLETE ASSEMBLY

Leave control switch in lower float position and push down on the Lift Arm (3) approximately 1/4". Disconnect the electrical plug and slip on weather caps over the both ends. Remove Safety Clip from jackstand. Push Jackstand Lever down, until it is parallel with the cross bar of the Lift Frame, to lower Jackstand to ground. At the same time push the top of the Lift Frame up and towards the vehicle. Reinstall Safety Clip to Jackstand below the lift frame. Pull, then rotate Handle so the notch hooks onto the bracket on lift frame. The vehicle is now free from mount and may safely back away.




ATTACHING THE COMPLETE ASSEMBLY

Check that the Handle Pin is disengaged. Drive the truck up to the Drive Pro™ assembly centering the hood of the truck to the lift arm to assure proper alignment with lift frame guide plates until contact is made. Once contact is made drive forward, pushing the assembly a few inches. This insures the A-Frame is square to the Clevis Frame for proper pin attachment. The rear fixed Pins should now be aligned with the rear notched hole on the clevis frame (1). Twist Handle Pin to unlock so that the pins become spring loaded then push the top of the Lift Frame towards the truck locking the front pins to the clevis frame. Remove Safety Clip from jackstand. Push Jackstand Lever down and raise Jackstand to storage position. Reinstall Safety Clip to Jackstand above the lift frame. **Note: Wire Lynch Pin (8) is used to Lock the Jack Stand (2) in the raised position once the plow is attached to the vehicle.**

Caution: Crankstand must be secured at all times.

Reattach the one step electrical connection.

TORQUE CHART FOOT

Bolt Nut Size	Gr. 2 	Gr. 5 	Gr. 8 
1/4 - 20	4 - 5		
5/16 - 18	9 - 11		
3/8 - 16	17 - 20	26 - 29	
7/16 - 14		42 - 46	60 - 66
1/2 - 13		64 - 72	90 - 100
5/8 - 11		127 - 141	179 - 198

Meyer Products assumes no responsibility for installations not made in accordance with these instructions.