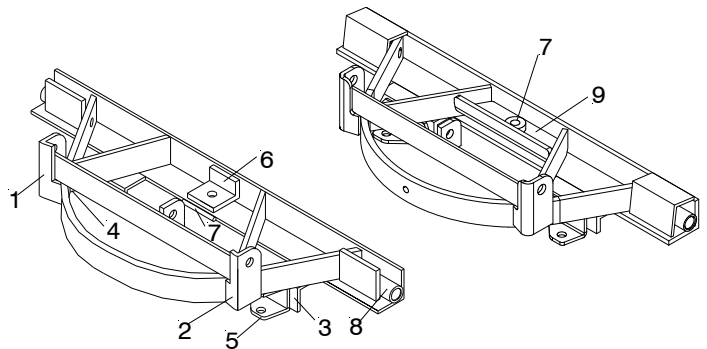


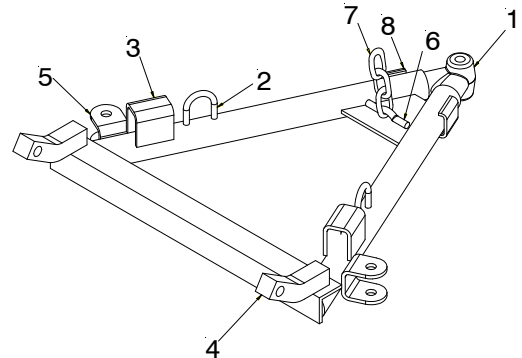
| Item | Part No. | Description            |   |
|------|----------|------------------------|---|
| 1    | 12994    | Outer Rib              | <p style="text-align: center;"><b>TM - 6.0 &amp; 6.5</b></p>          |
| 2    | 12460    | Horizontal Rib         |   |
| 3    | 12996    | Inner Rib Assy         |   |
| 4    | 12995    | Pivot Pipe             |   |
| 5    | 12991    | Trip Stop              |   |
| 6    | 12425    | Spring Bracket L.H.    |   |
| 7    | 12424    | Spring Bracket R.H.    |   |
| 8    | 09104    | Cutting Edge TM-6      |   |
| 9    | 09100    | Cutting Edge TM-6.5    |   |
| 10   | 12120    | Runner Bracket         |   |
| 11   | 09127    | Runner Assembly        |   |
| 12   | 10853    | • Mushroom Runner      |   |
| 13   | 20359    | • Washers 3/4"         |   |
|      | 22083    | • Linch Pin            |   |
| 1    | 12144    | Outer Rib              | <p style="text-align: center;"><b>ST - 7.0 &amp; 7.5</b></p>          |
| 2    | 12500    | Rib Pipe Pivot R.H.    |   |
| 3    | 12501    | Rib Pipe Pivot L.H.    |   |
| 4    | 12149    | • Pivot Pipe           |   |
| 5    | 07141    | • Reinforcement Washer |   |
| 6    | 12493    | Runner Bracket         |   |
| 7    | 09126    | Runner & Spindle Assy. |   |
| 8    | 22083    | • Linch Pin            |   |
| 9    | 20363    | • Flatwasher 1-1/4"    |   |
| 10   | 12057    | • Spindle              |   |
| 11   | 20101    | • Bolt H 1/2-13 x 3"   |   |
| 12   | 20307    | • Locknut 1/2-13       |   |
| 13   | 07006    | • Runner               |   |
| 14   | 09132    | Cutting Edge ST-7      |   |
|      | 09796    | Cutting Edge ST-7.5    |   |
| 1    | 12144    | Rib Outer              | <p style="text-align: center;"><b>STL - 7.5</b></p>                   |
| 2    | 12500    | Rib Pipe Pivot R.H.    |   |
| 3    | 12501    | Rib Pipe Pivot L.H.    |   |
| 4    | 12279    | Runner Bracket         |   |
| 5    | 10853    | Mushroom Runner Assy.  |   |
| 6    | 22083    | Linch Pin              |   |
| 7    | 20359    | Flat Washer            |   |
| 8    | 10853    | Mushroom Runner        |   |
| 9    | 12149    | Pivot Pipe             |   |
| 10   | 07144    | Reinforcing Washer     |   |
| 11   | 09257    | Cutting Edge STL 7.5   |   |
| 12   | 12250    | Spring Angle Assy.     |   |
| 1    | 12938    | Formed Rib Outer       | <p style="text-align: center;"><b>C - 7.5, 8.0, 8.5 &amp; 9.0</b></p> |
| 2    | 12917    | Formed Rib Inner       |   |
| 3    | 12941    | Pivot Rib Assy. L.H.   |   |
| 4    | 12921    | • Pivot Weldment L.H.  |   |
| 5    | 12942    | Pivot Rib Assy. R.H.   |   |
| 6    | 12920    | • Pivot Weldment R.H.  |   |
| 7    | 12907    | Runner Bracket         |   |
| 8    | 09126    | Runner & Spindle Assy. |   |
| 9    | 22083    | • Linch Pin            |   |
| 10   | 20363    | • Flatwasher 1-1/4"    |   |
| 11   | 12057    | • Spindle              |   |
| 12   | 20101    | • Bolt H 1/2-13 x 3"   |   |
| 13   | 20307    | • Locknut 1/2-13       |   |
| 14   | 07006    | • Runner               |   |
| 15   | 09796    | Cutting Edge C-7.5     |   |
|      | 09133    | Cutting Edge C-8.0     |   |
|      | 09134    | Cutting Edge C-8.5     |   |
|      | 07259    | Cutting Edge C-9.0     |   |
| 1    | 12361    | Angle Rib Outer Formed | <p style="text-align: center;"><b>HM - 9 &amp; 10</b></p>             |
| 2    | 12156    | Angle Rib Inner Formed |   |
| 3    | 12461    | Pivot Rib Assy. L.H.   |   |
| 4    | 12455    | • Pivot Weldment L.H.  |   |
| 5    | 12462    | Pivot Rib Assy. R.H.   |   |
| 6    | 12454    | • Pivot Weldment R.H.  |   |
| 7    | 12907    | Runner Bracket         |   |
| 8    | 09592    | Runner & Spindle Assy. |   |
| 9    | 22083    | • Linch Pin            |   |
| 10   | 20363    | • Flatwasher 1-1/4"    |   |
| 11   | 12057    | • Spindle              |   |
| 12   | 20101    | • Bolt H 1/2-13 x 3"   |   |
| 13   | 20307    | • Locknut 1/2-13       |   |
| 14   | 07086    | • Runner               |   |
| 15   | 07259    | Cutting Edge HM-9      |   |
| 16   | 07235    | Cutting Edge HM-10     |   |

# Sectors, A - Frames and Pivot Bars

| Item | Part Number |       |            | Description     |
|------|-------------|-------|------------|-----------------|
|      | 11" Sector  | STL   | 15" Sector |                 |
| 1    | 12425       | 12425 | 12325      | Stop Angle L.H. |
| 2    | 12424       | 12424 | 12352      | Stop Angle R.H. |
| 3    | 12829       | ----- | -----      | Angle (Clevis)  |
| 4    | 14236       | 12417 | 12933      | Clevis L.H.     |
| 5    | 14236       | 12416 | 12933      | Clevis R.H.     |
| 6    | 12418       | 12418 | 12766      | Clip Formed     |
| 7    | 12577       | 12577 | 13459      | Bushing         |
| 8    | 07004       | 07004 | 07004      | Tube            |
| 9    | 12574       | ----- | -----      | Angle           |

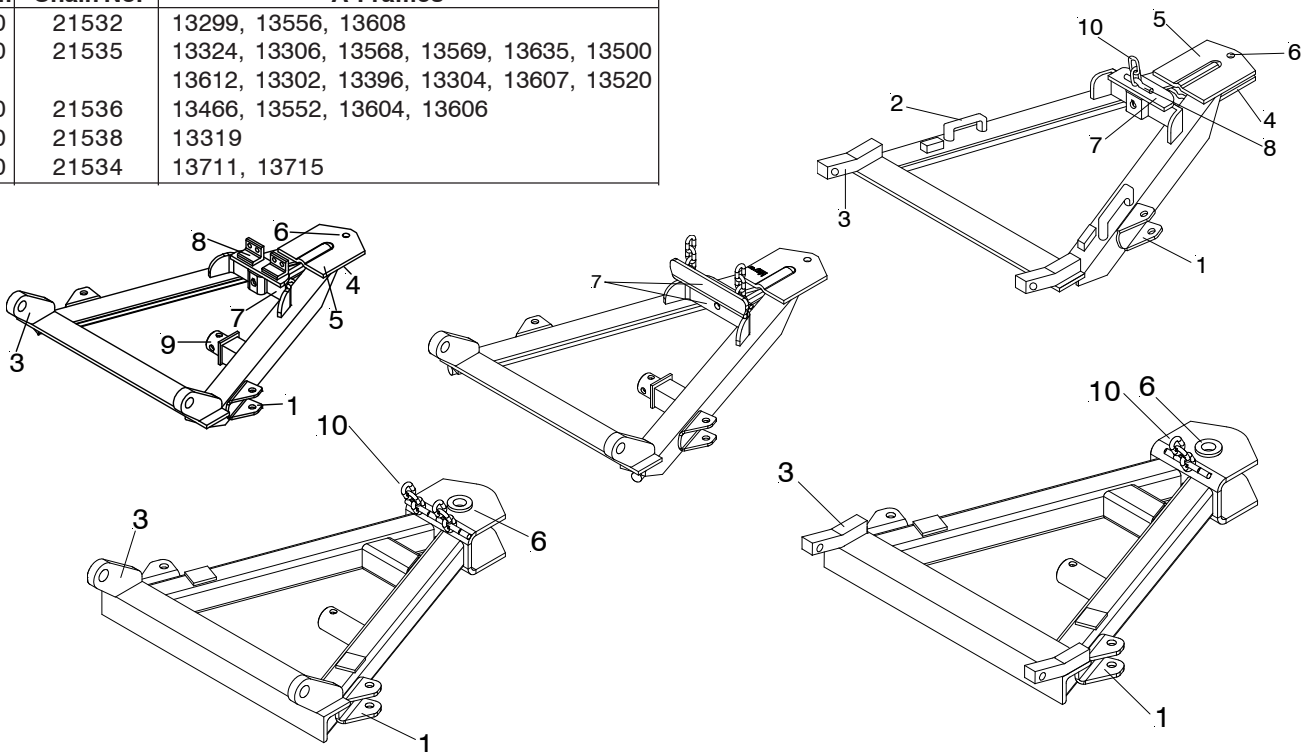


| Item | Part Number           |               |               | Description     |
|------|-----------------------|---------------|---------------|-----------------|
|      | 13594 & 13600 A-Frame | 10888 A-Frame | 13745 A-Frame |                 |
| 1    | 13597                 | 10889         | 13597         | Nose Piece      |
| 2    | 13572                 | 13572         | 13572         | Hose Guard      |
| 3    | 13583                 | 13583         | 13583         | Stop Block      |
| 4    | 13605                 | 13581         | 13605         | Hinge Connector |
| 5    | 13578                 | 13578         | 13578         | P. A. Clevis    |
| 6    | 13218                 | 13218         | 13218         | Chain Connector |
| 7    | 21983                 | 21983         | 21534         | Chain           |
| 8    | 13579                 | -----         | 13579         | P.A. Stop       |

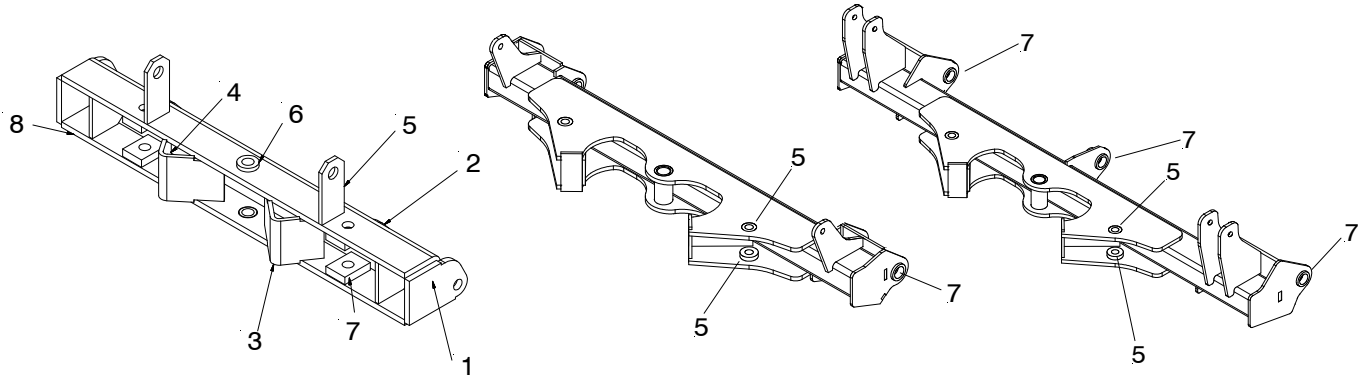


| Item | Part Number       |             |                   |                   |                    |               |               | Description            |
|------|-------------------|-------------|-------------------|-------------------|--------------------|---------------|---------------|------------------------|
|      | 11" & STL A-Frame | 15" A-Frame | MDII™ 11" A-Frame | MDII™ 15" A-Frame | Reinforced A-Frame | 13500 A-Frame | 13520 A-Frame |                        |
| 1    | 14236             | 13562       | 14236             | 13562             | 13562              | 13562         | 13562         | P.A. Clevis            |
| 2    | 13362             | 13362       | -----             | -----             | 13362              | -----         | -----         | Hose Guard             |
| 3    | 13011             | 13011       | 13685             | 13685             | 13603              | 13697         | 13511         | Hinge Connector        |
| 4    | 08837             | 08340       | 08837             | 08340             | 08340              | -----         | -----         | Nose Piece Kit         |
|      | 13776             | 13566       | 13564             | 13566             | 13566              | -----         | -----         | • Nose Piece, Bottom   |
| 5    | 13563             | 13573       | 13563             | 13573             | 13573              | -----         | -----         | • Nose Piece, Top      |
| 6    | 13750             | 13459       | 13750             | 13459             | 13459              | 12358         | 12358         | •• Bushing             |
| 7    | 13012             | 13013       | 13774             | 13013             | 13013              | -----         | -----         | Sector Release Bracket |
| 8    | 13218             | 13218       | 13687             | 13687             | 13218              | -----         | -----         | Chain Connector        |
| 9    | -----             | -----       | 13688             | 13688             | -----              | 13506         | 13506         | Tube Mount             |

| Item | Chain No. | A-Frames   |
|------|-----------|--|
| 10   | 21532     | 13299, 13556, 13608  |
| 10   | 21535     | 13324, 13306, 13568, 13569, 13635, 13500<br>13612, 13302, 13396, 13304, 13607, 13520 |
| 10   | 21536     | 13466, 13552, 13604, 13606   |
| 10   | 21538     | 13319  |
| 10   | 21534     | 13711, 13715   |



| Item | Part Number        |                    |                    |                    |                    | Description       |
|------|--------------------|--------------------|--------------------|--------------------|--------------------|-------------------|
|      | 12984<br>Pivot Bar | 10891<br>Pivot Bar | 12959<br>Pivot Bar | 12590<br>Pivot Bar | 12750<br>Pivot Bar |                   |
| 1    | 12985              | 10894              | 12970              | -----              | -----              | Outer Hinge Plate |
| 2    | 12976              | 12976              | -----              | -----              | -----              | Inner Hinge Plate |
| 3    | 12988              | 10895              | 12971              | -----              | -----              | Stop Bar          |
|      | -----              | 10896              | -----              | -----              | -----              | Stop Bar          |
| 4    | 12987              | 12987              | -----              | -----              | -----              | Spring Clip       |
| 5    | 12986              | 12986              | 12986              | 12709              | 12709              | Bushing           |
| 6    | -----              | 13578              | 12972              | -----              | -----              | P.A. Clevis       |
| 7    | -----              | 10893              | -----              | 07202              | 07202              | Bushing           |



Meyer Products LLC reserves the right, under its continuing product improvement program, to change construction or design details, specifications and prices without notice or without incurring any obligation.



Meyer Products LLC  
 18513 Euclid Ave. • Cleveland, Ohio 44112-1084  
 Phone 486-1313 (Area Code 216)  
 www.meyerproducts.com • email info@meyerproducts.com