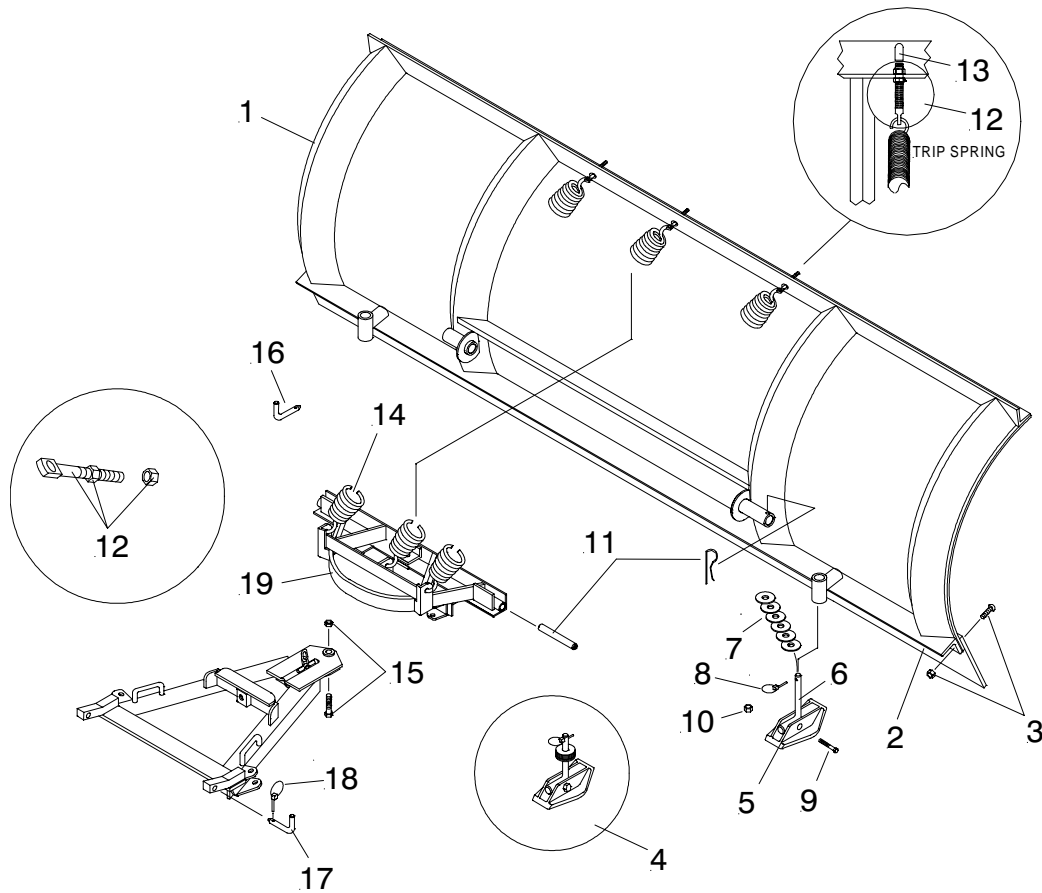


# Parts & Installation Instructions

## Models ST-78, ST-84 & ST-90 Moldboards



### Parts List

Item	ST - 78	ST - 84	ST - 90	Qty	Description
1	09158	09159	09163	1	Moldboard Assembly
2	09131	09132	09796	1	• Cutting Edge
3	08184	08184	08184	1	• Bolt C 1-2-13 x 1-3/4 & Lock nut (Kit of 8 each)
4	09126	09126	09126	2	• Runner & Spindle Assembly
5	07006	07006	07006	1	•• Runner
6	12057	12057	12057	1	•• Spindle
7	20363	20363	20363	10	•• Flatwasher 1-1/4
8	22083	22083	22083	1	•• Linch Pin
9	20101	20101	20101	1	•• Bolt H 1/2-13 x 3
10	20307	20307	20307	1	•• Locknut 1/2-13
11	09119	09119	09119	1	Sector A-Frame Carton
12	-----	-----	09124	2	• Pivot Pin w/ Fttg & Hair Pin
12	09124	09124	-----	3	• Eye Bolt w/ Locknut
13	-----	-----	07031	2	• Eye Bolt w/ Locknut
13	07031	07031	-----	3	• Cap, Eyebolt 1" Lg.
14	-----	-----	07017	2	• Cap, Eyebolt 1" Lg.
14	-----	-----	07017	3	• Trip Spring
14	07017	07017	-----	2	• Trip Spring
15	09122	09122	09122	1	• King Bolt w/ Locknut
16	13003	13003	13003	1	• Sector Pin
17	11101	11101	11101	2	• Hinge Pin
18	22083	22083	22083	2	• Linch Pin
19	12326	12326	12326	1	• Sector

Parts indented are included in the assembly under which they are indented.

Meyer Products reserves the right, under its continuing product improvement program, to change construction or design details, specifications and prices without notice or without incurring any obligation.

## INSTALLATION INSTRUCTIONS

Note: The following instructions cover assembly of Moldboard, Sector and A-Frame. Refer to separate instructions for installation of plow mounting and hydraulic system.

- A. Liberally coat Pivot Pins (11) with chassis lubricant.
- B. Attach Sector (19) to Moldboard (1) with Pivot Pins (11) and insert Hair Pin Cotter. Grease Pivot Pin using grease fitting.
- C. Attach Eye Bolts (12) to Moldboard (1) and trip Springs (14) to Sector (19), making certain locknuts (12) are positioned as shown in Figure 1.
- D. Make certain each Eye Bolt (12) is in a vertical position as shown in figure 1 so that the Eye Bolt (12) and Trip Spring (14) hinge properly when moldboard trips.

Note: Proper tension is attained when Trip Spring (14) coils just begin to separate and then tightening top locknut four additional turns.

- E. Attach A-Frame to Sector (19) as shown in Figure 2.  
**IMPORTANT:** Install King Bolt (15) from bottom so that locknut (15) is on top.

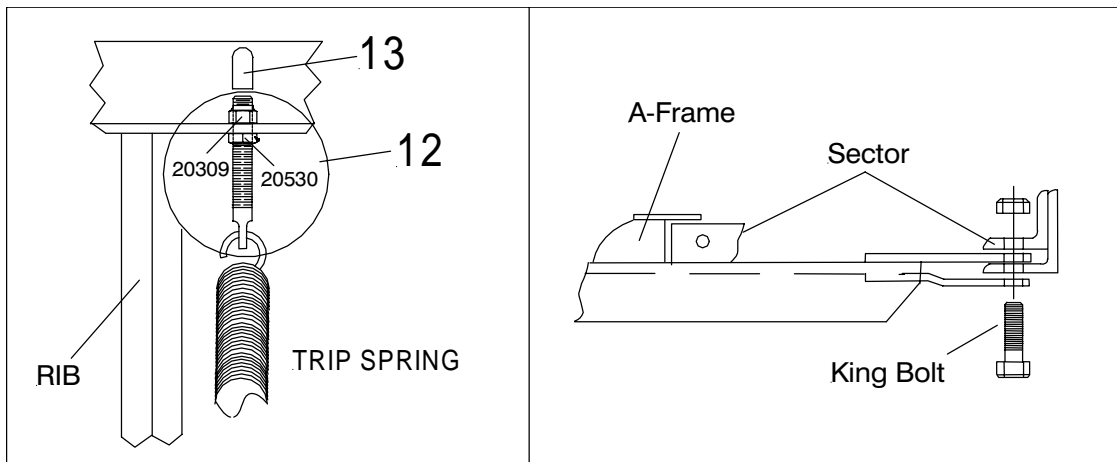


FIGURE 1

FIGURE 2