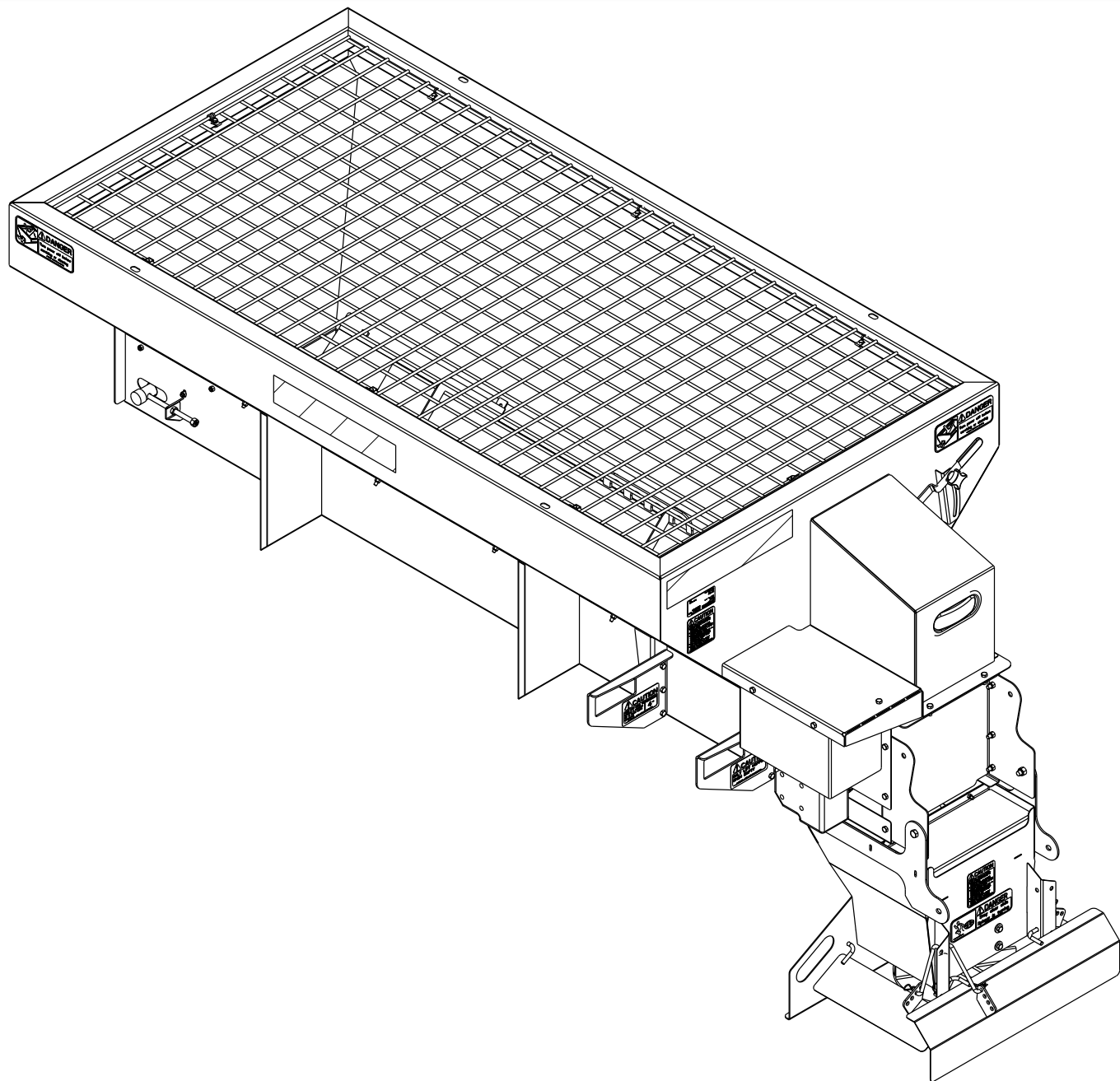


Illustrated Parts Listing:

PV 358 DME

04050-032-02

June 2014

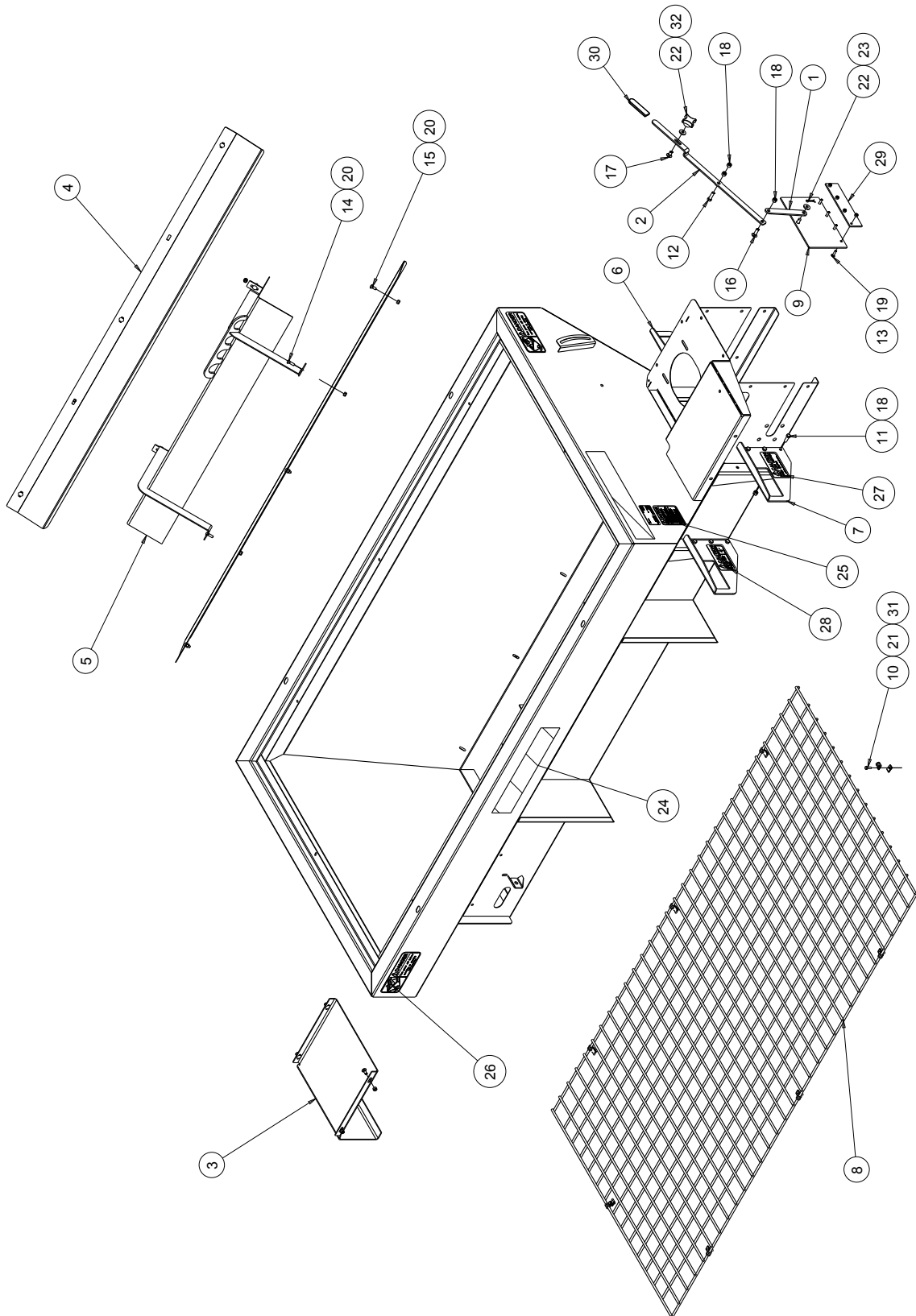


Meyer Products LLC
18513 Euclid Ave • Cleveland, Ohio 44112
Phone 216-486-1313 • Fax 216-486-9775
Email: sales@meyerproducts.com



ILLUSTRATED PARTS LISTING
PV 358 DME

Hopper Assembly



ILLUSTRATED PARTS LISTING

PV 358 DME**Hopper Assembly**

Item	Part Number	Description	Qty
1	62270	Bar, Pivot 7g Cs	1
	64462	Bar, Pivot 10g S2	
2	63294	Form, Handle Feedgate 7g Cs	1
	64461	Form, Handle Feedgate 10g S2	
3	63264	Form, Guard Conveyor Pv	1
4	64427	Chainshield, 8' Pv 14g Cs	2
	64460	Chainshield, 8' Pv 16g S2	
5	63184	Weld, Inverted Vee Cs	1
6	63839	Brkt, Fork Rh Cs	2
7	63841	Brkt, Fork Lh Cs	2
8	66105	Screen, Pv358 5/16" Rod Welded	1
9	66106	Weld, Feedgate 7g Cs	1
	64459	Weld, Feedgate 10g S2	
10	62189	Bolt, 1/4-20 X 3/4 Hh Ss	8
11	62697	Bolt, 3/8-16 X 1 Hh Ss	12
12	62695	Bolt, 3/8-16 X 1-1/4 Hh Ss	1
13	64470	Bolt, 1/4-20 X 1 Ca Ss	4
14	63175	Bolt, 5/16-18 X 1 Ca Ss	4
15	62640	Bolt, 5/16-18 X 3/4 Ca Ss	10
16	62813	Bolt, 3/8-16 X 1-1/4 Ca Ss	1
17	62746	Bolt, 3/8-16 X 3/4 Ca Ss	1
18	63348	Locknut, 3/8-16 NI Ss	15
19	64822	Locknut, 1/4-20 Nylon Ss Sp	4
20	63301	Locknut, 5/16-18 NI Ss	14
21	64473	Nut, Clip-on 1/4-20	8
22	22230	Flatwasher, 3/8" U.s.s. Ss	2
23	62691	Pin, 1/8" X 1" Cotter Ss	1
24	62497	Decal, Swenson-black	3
25	62007	Decal, Caution	1
26	62009	Decal, Danger (conveyor)	3
27	63847	Decal, Caution Unloaded	2
28	63848	Decal, Caution 4" Min	2
29	64471	Extension, Feedgate	1
30	64164	Cover, Feedgate Handle	1
31	63245	Clamp, Cushioned - 3/8" 18-8	8
32	61169	Knob, Hand	1
ZP= Zinc Plated CS = Mild Carbon Steel SS= Stainless Steel A/R= As Required			

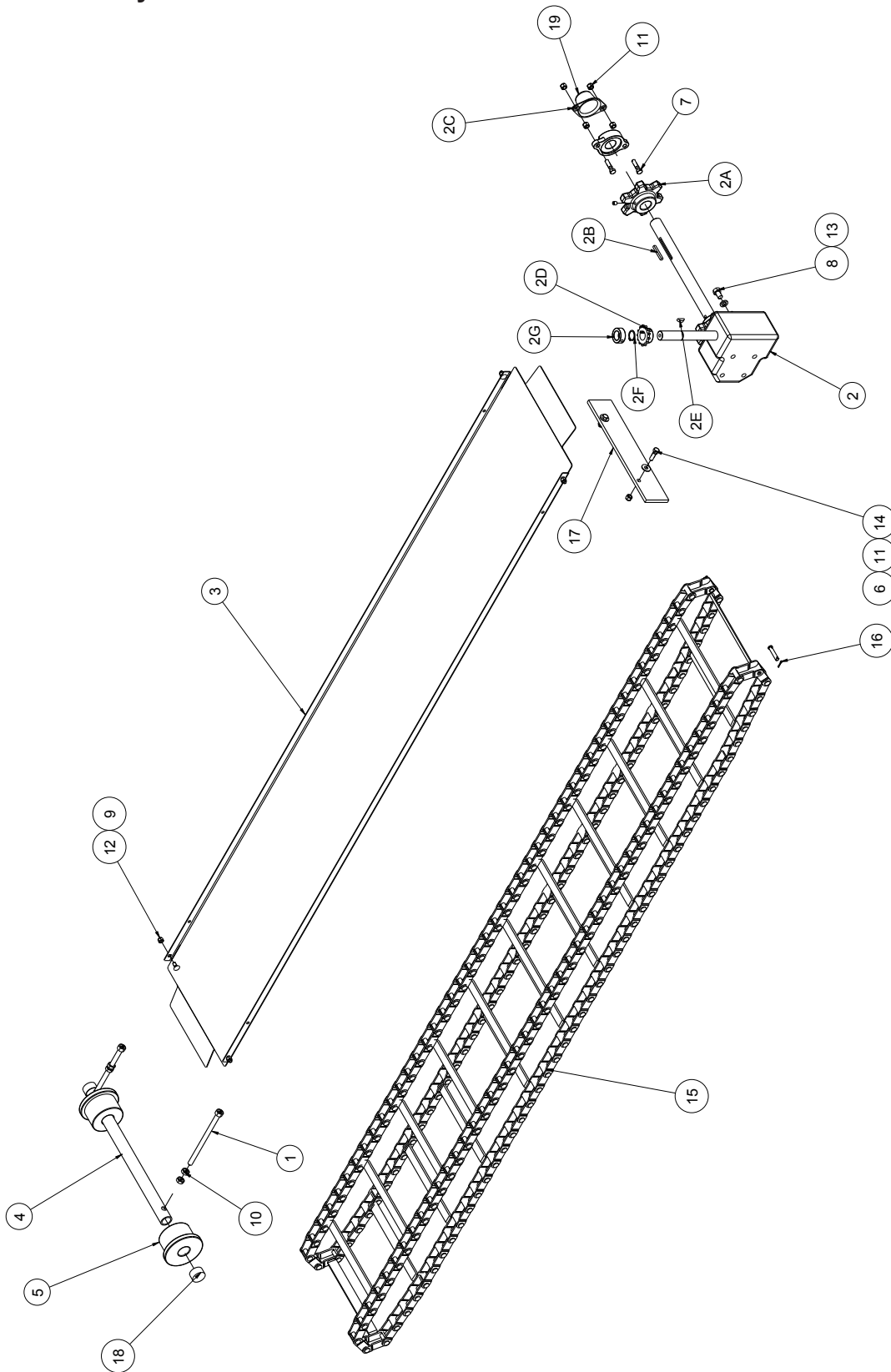
Meyer Products LLC
18513 Euclid Ave. Cleaveland, Oh 44112
Phone 216-486-1313 • Fax 216-486-9775
Email: sales@meyerproducts.com



Meyer Products LLC reserves the right, under its continuing product improvement program, to change construction or design detail, specifications and prices without notice or without incurring any obligation.

ILLUSTRATED PARTS LISTING
PV 358 DME

Conveyor Assembly



ILLUSTRATED PARTS LISTING

PV 358 DME**Conveyor Assembly**

Item	Part Number	Description	Qty
1	62304	Weld, Take Up Bolt	2
2	63177	Sub-y, Gearbox	1
2A	61175	Sprocket, Drive w/ setscrews	2
2B	62000	Key, 1/4" x 2" SQ	2
2C	61163	Bearing, 1-1/4"	1
2D	63685	Sprocket, 40B-13	1
2E	61201	Key, Woodruff	1
2F	61202	Ring, Snap	1
2G	62769	Collar, Set	1
3	64432	Form, Floor 8' Pv 14g Cs	1
	64465	Form, Floor 8' Pv 16g Ss	
4	64062	Shaft, Idler	1
5	64063	Roller, Poly	2
6	62695	Bolt, 3/8-16 X 1-1/4 Hh Ss	2
7	64035	Bolt, 3/8-16 x 1-1/2" HH SS	2
8	62750	Bolt, 1/2-13 X 3/4 Tap Hh Ss	4
9	62640	Bolt, 5/16-18 X 3/4 Ca Ss	4
10	62336	Nut, 1/2-13 Hh Ss	4
11	62638	Locknut, 3/8-16 NI Ss	6
12	63301	Locknut, 5/16-18 NI Ss	4
13	62770	Lockwasher, 1/2" med Split Ss	4
14	22230	Flatwasher, 3/8" U.s.s. Ss	2
15	62129	Weld, Drag Chain 8'	1
16	61174	Pin, Master w/ Cotter	2
17	62354	Wiper, Chain	1
18	64064	Cap, Idler	2
19	64385	Cover, Bearing Shaft Hdpe	1
ZP= Zinc Plated CS = Mild Carbon Steel SS= Stainless Steel A/R= As Required			

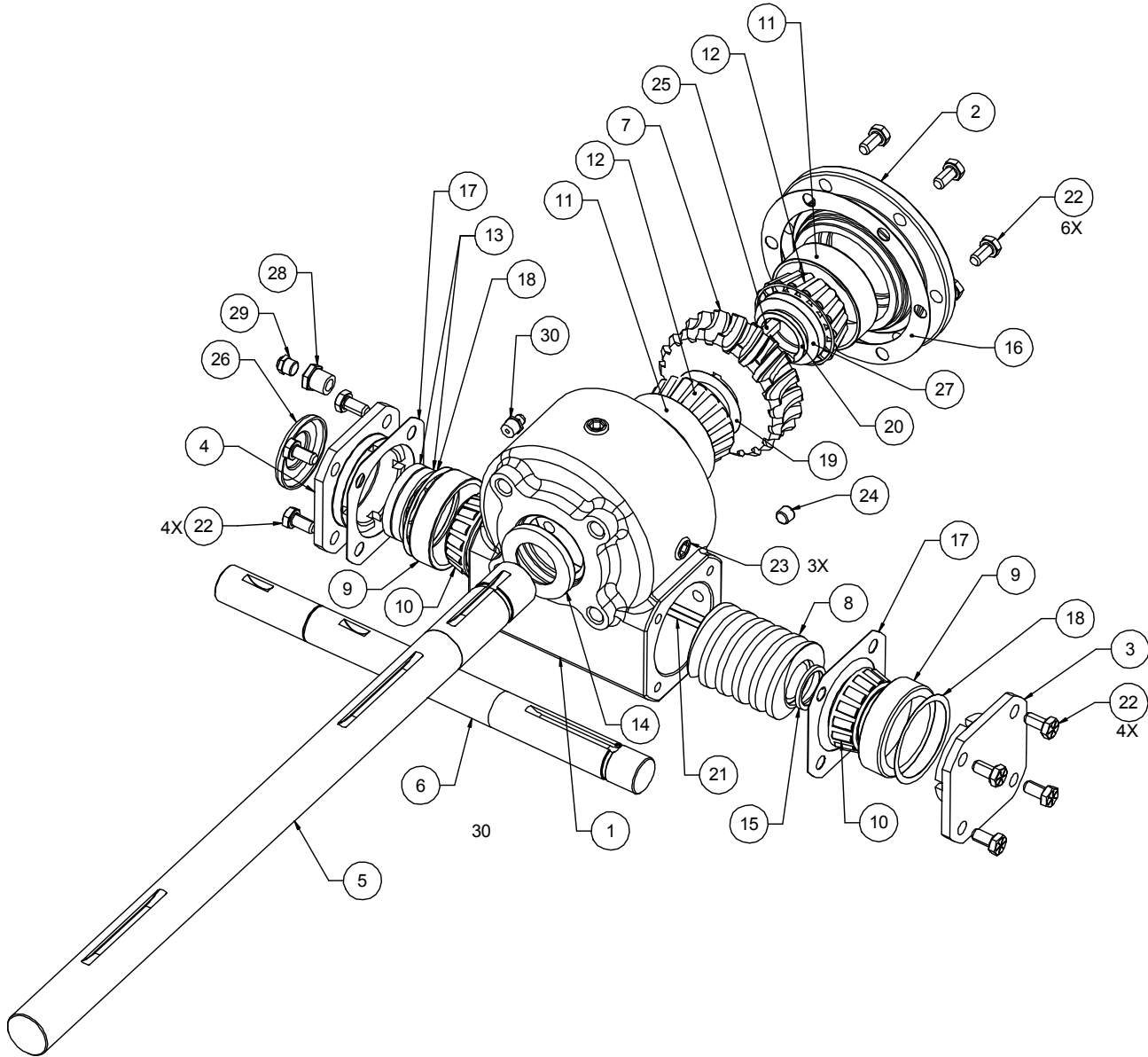
Meyer Products LLC
18513 Euclid Ave. Cleaveland, Oh 44112
Phone 216-486-1313 • Fax 216-486-9775
Email: sales@meyerproducts.com



Meyer Products LLC reserves the right, under its continuing product improvement program, to change construction or design detail, specifications and prices without notice or without incurring any obligation.

ILLUSTRATED PARTS LISTING
PV 358 DME

Gearbox



ILLUSTRATED PARTS LISTING

PV 358 DME**Gearbox**

Item	Part Number	Description	Qty
1	63849	HOUSING, GEARBOX 20:1	1
2	63850	COVER, GEARBOX	1
3	63851	CAP, END	1
4	63852	CAP, END THRU	1
5	63853	SHAFT, OUTPUT GEARBOX	1
6	63854	SHAFT, INPUT GEARBOX	1
7	63855	GEAR, WHEEL LH	1
8	63856	GEAR, WORM LH	1
9	63857	BEARING, INPUT CUP M86610	2
10	63858	BEARING, INPUT CONE M86643	2
11	63859	BEARING, OUTPUT CUP 2523	2
12	63860	BEARING, OUTPUT CONE 2582	2
13	63861	SEAL, INPUT CR10127	2
14	63862	SEAL, OUTPUT CR12551	1
15	62910	RING, RETAINING SHAFT INPUT	1
16	63864	GASKET, COVER	1
17	63865	GASKET, INPUT	2
18	63866	SHIM, INPUT	A/R
19	63867	SHIM, OUTPUT	A/R
20	62911	RING, RETAINING SHAFT OUTPUT	1
21	63869	KEY, INPUT 1/4 X 1/4 X 2	1
22	63870	HEX CAPSCREW 5/16-18 X 5/8	14
23	62017	PLUG, PIPE 3/8"	4
24	63872	PLUG, 1/8-27 NPT	1
25	63873	KEY, OUTPUT 1/4 X 1/4 X 1.08	1
26	63874	STRING GUARD	1
27	63875	BUSHING, 3/8-18 / 1/8-27	1
28	63876	PLUG, VENT 5PSI	1
29	63877	GREASE ZERK	1
ZP= Zinc Plated CS = Mild Carbon Steel SS= Stainless Steel A/R= As Required			

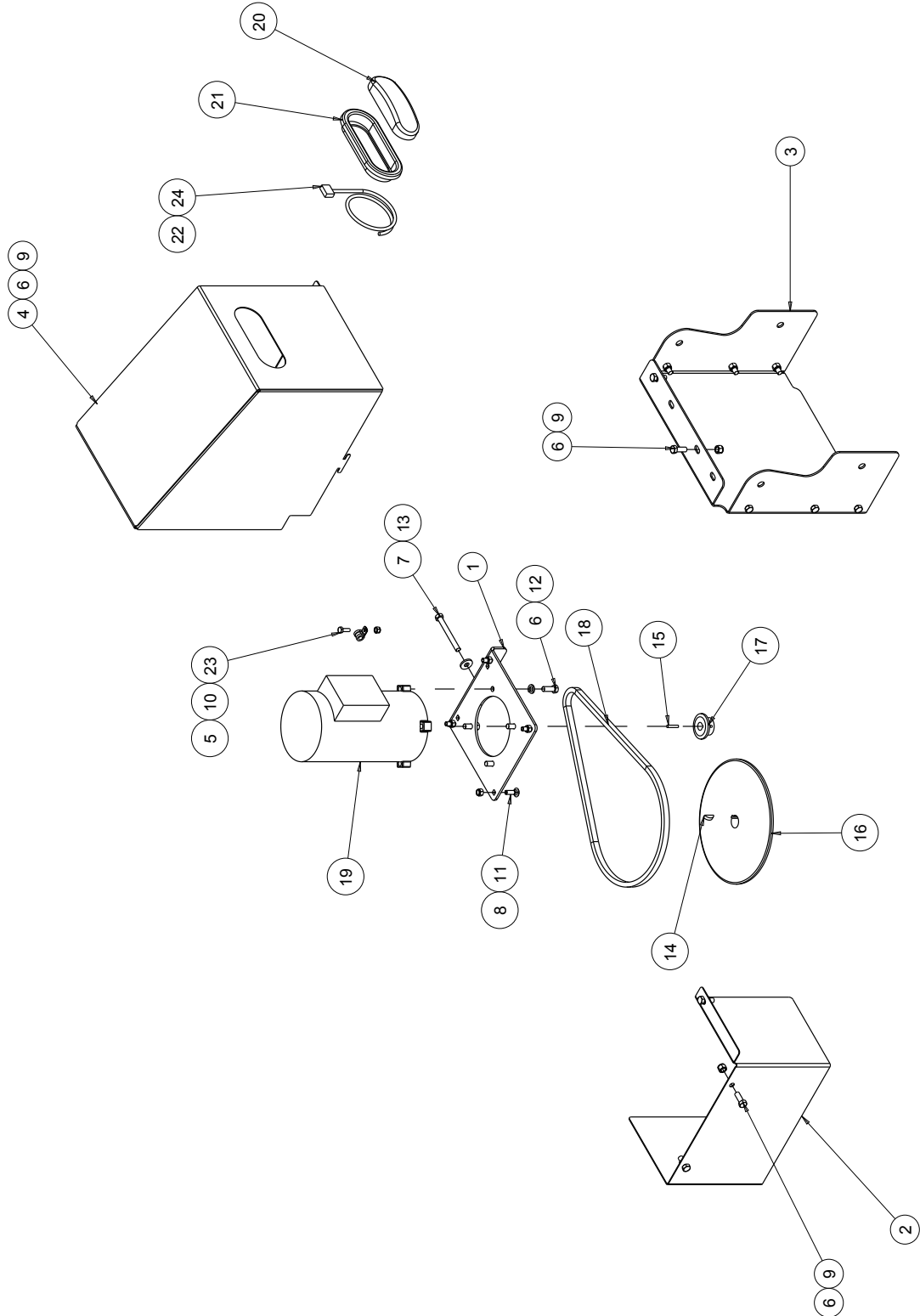
Meyer Products LLC
 18513 Euclid Ave. Cleveland, Oh 44112
 Phone 216-486-1313 • Fax 216-486-9775
 Email: sales@meyerproducts.com



Meyer Products LLC reserves the right, under its continuing product improvement program, to change construction or design detail, specifications and prices without notice or without incurring any obligation.

ILLUSTRATED PARTS LISTING
PV 358 DME

Electric Drive



ILLUSTRATED PARTS LISTING

PV 358 DME**Electric Drive**

Item	Part Number	Description	Qty
1	64166	Weld, Adapter 7g Cs	1
	64457	Weld, Adapter 10g S2	
2	62111	Form, Sprocket Guard 14g Cs	1
	64468	Form, Sprocket Guard 16g S2	
3	66112	Form, Rear Plate 7g Cs	1
	64429	Form, Rear Plate 10g S2	
4	66113	Weld, Motor Cover 14g Cs	1
	64463	Weld, Motor Cover 16g S2	
5	62189	Bolt, 1/4-20 X 3/4 Hh Ss	1
6	62697	Bolt, 3/8-16 X 1 Hh Ss	17
7	63342	Bolt, 3/8-16 X 3-1/2 Hh Ss	1
8	63175	Bolt, 5/16-18 X 1 Ca Ss	4
9	63348	Locknut, 3/8-16 NI Ss	13
10	64822	Locknut, 1/4-20 Nylon Ss Sp	4
11	63301	Locknut, 5/16-18 NI Ss	4
12	63206	Lockwasher, 3/8" Med Split Ss	4
13	22230	Flatwasher, 3/8" U.s.s. Ss	1
14	61201	Key, 1/4" X 7/8" Woodruff	1
15	22438	Key, Straight 3/16" Sq. X 1"	1
16	63333	Sprocket, 40b60-1" Bore	1
17	64464	Sprocket, 40b-11 5/8" Bore	1
18	64456	Chain, Roller #40-86 Pitch W/c	1
19	64015	Motor, 12v Auger	1
20	62714	Lamp, Stop (ctr Hgh Mt)	1
21	62715	Grommet, Mtg	1
22	62364	Cable, Light Power	1
23	63245	Clamp, Cushioned - 3/8" 18-8	1
24	62738	Cable, Stop Lamp	1
ZP= Zinc Plated CS = Mild Carbon Steel SS= Stainless Steel A/R= As Required			

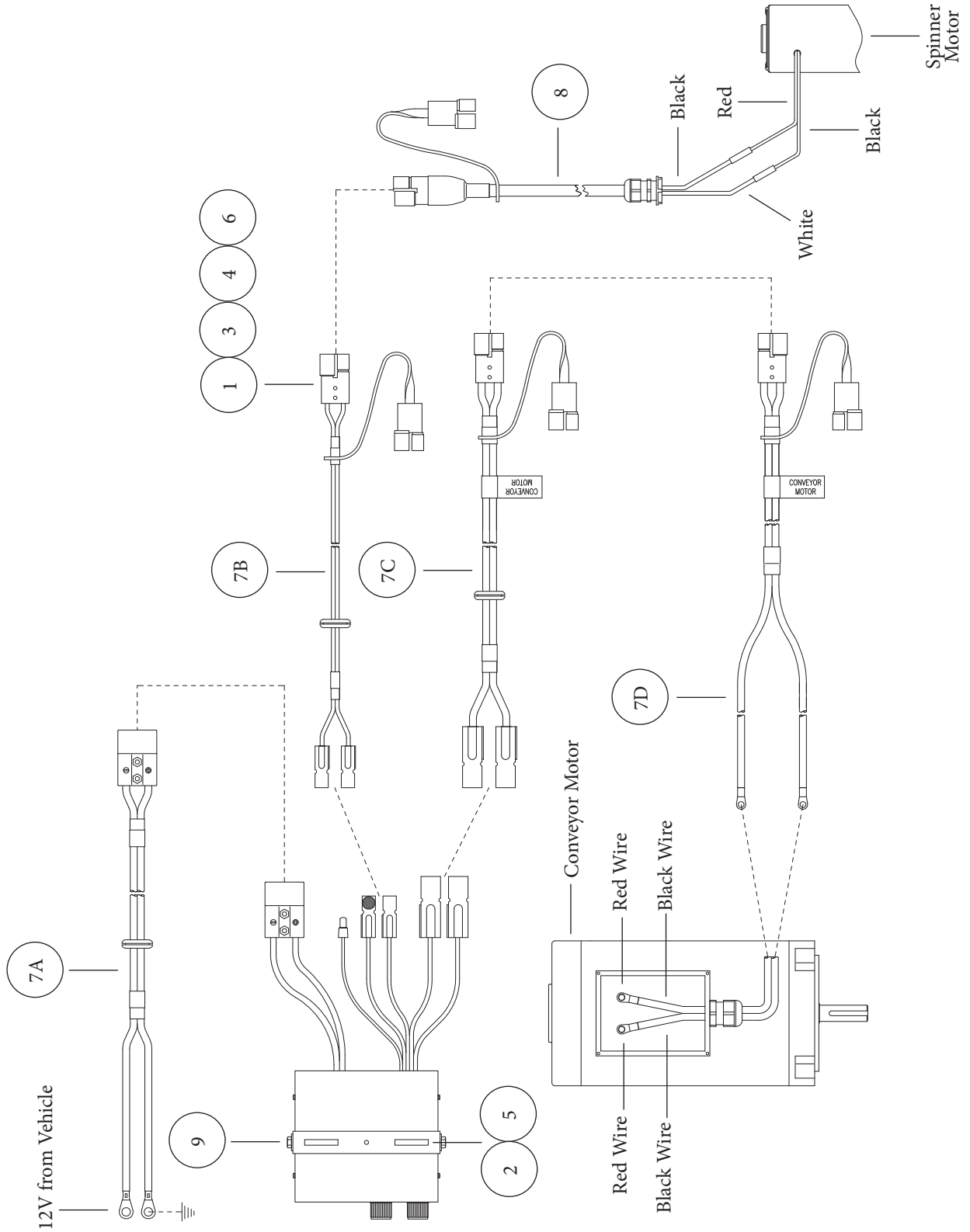
Meyer Products LLC
 18513 Euclid Ave. Cleaveland, Oh 44112
 Phone 216-486-1313 • Fax 216-486-9775
 Email: sales@meyerproducts.com



Meyer Products LLC reserves the right, under its continuing product improvement program, to change construction or design detail, specifications and prices without notice or without incurring any obligation.

ILLUSTRATED PARTS LISTING PV 358 DME

Control System



ILLUSTRATED PARTS LISTING

PV 358 DME**Control System**

Item	Part Number	Description	Qty
1	64641	Brkt, Elec Conn 10g S2	2
2	62751	Bolt, 5/16-18 X 1 Hh Ss	4
3	64642	Screw, 10-32 X 1 Pr Ss	4
4	64643	Locknut, 10-32 NI Ss	4
5	63301	Locknut, 5/16-18 NI Ss	4
6	62801	Flatwasher, #10, S.s.	4
7	64474	P, VBEL Dual MTR CTRL Harn	1
7A	66107	Harness, Power Supply A	1
7B	66108	Harness, Auger Truck B	1
7C	66109	Harness, Spinner Truck C	1
7D	66110	Harness, Auger Spread D	1
8	64482	Harness, Spinner Spread	1
9	63962	Control, Motor Dual Elec	1
ZP= Zinc Plated CS = Mild Carbon Steel SS= Stainless Steel A/R= As Required			

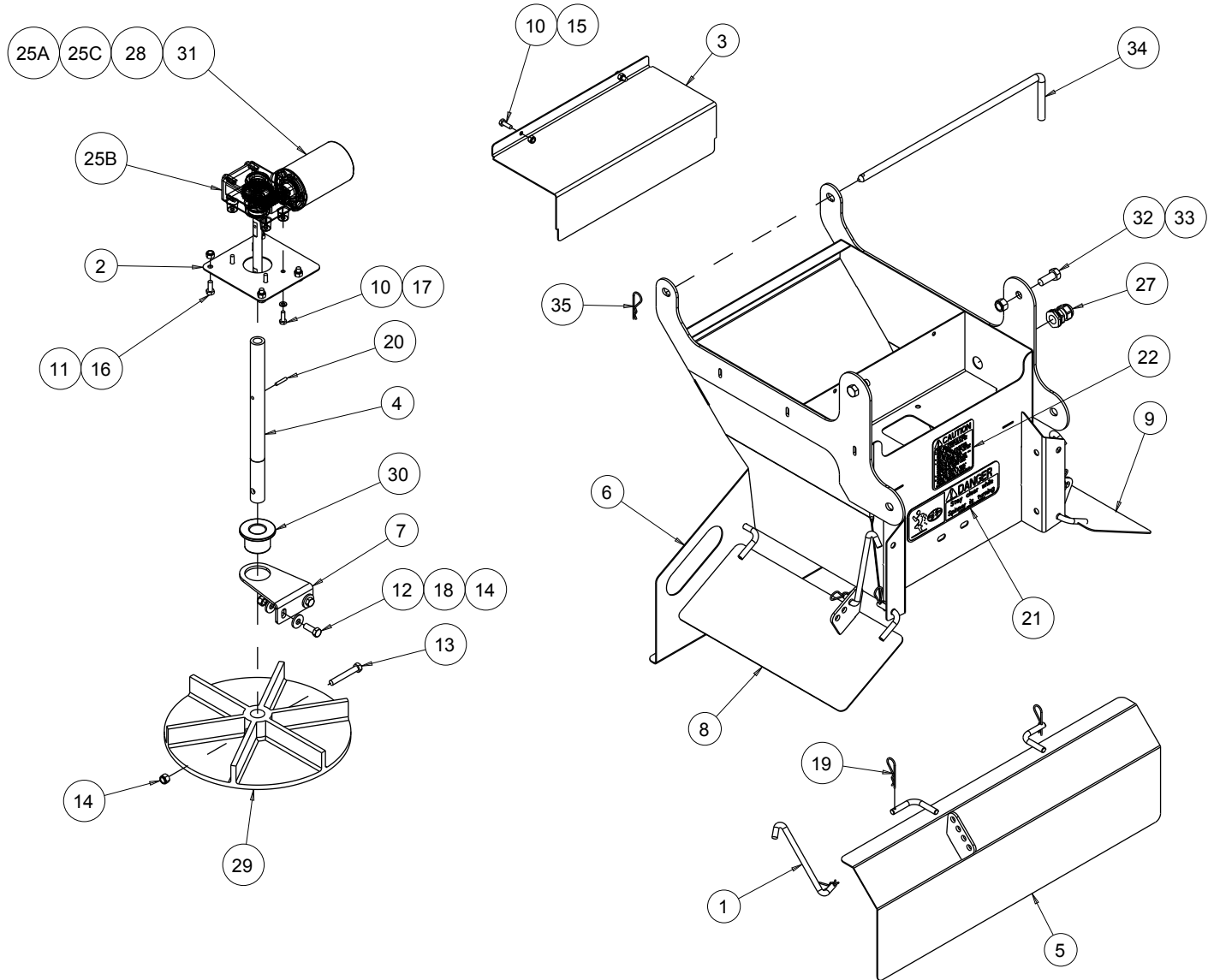
Meyer Products LLC
18513 Euclid Ave. Cleaveland, Oh 44112
Phone 216-486-1313 • Fax 216-486-9775
Email: sales@meyerproducts.com



Meyer Products LLC reserves the right, under its continuing product improvement program, to change construction or design detail, specifications and prices without notice or without incurring any obligation.

ILLUSTRATED PARTS LISTING
PV 358 DME

Spinner Assembly



ILLUSTRATED PARTS LISTING

PV 358 DME

Spinner Assembly

Item	Part Number	Description	Qty
1	62313	Bar, Link S3	3
2	64677	Plate, Spin Motor Adapt 14g CS	1
	64477	Plate, Spin Motor Adapt 16g S2	
3	64681	Form, Spin Motor Cover 14g CS	1
	64481	Form, Spin Motor Cover 16g S2	
4	64836	Shaft, Spinner Cs	1
5	66114	Weld, Baffle Rear 14g CS	1
	66115	Weld, Baffle Rear 16g S2	
6	66116	Weld, Spin Pv Su Elect 14g CS	1
	66117	Weld, Spin Pv Su Elect 16g S2	
7	66118	Form, Bearing Bracket 7g CS	1
	66119	Form, Bearing Bracket 10g S2	
8	66120	Weld, Baffle Lh 14g CS	1
	66121	Weld, Baffle Lh 16g S2	
9	66122	Weld, Baffle Rh 14g CS	1
	66123	Weld, Baffle Rh 16g S2	
10	62189	Bolt, 1/4-20 X 3/4 Hh Ss	6
11	62752	Bolt, 5/16-18 X 3/4 Hh Ss	4
12	62697	Bolt, 3/8-16 X 1 Hh Ss	2
13	63198	Bolt, 3/8-16 X 2-1/2 Hh Ss	1
14	63348	Locknut, 3/8-16 NI Ss	3
15	64079	Locknut, 1/4-20 Nylon Ss Sp	2
16	63301	Locknut, 5/16-18 NI Ss	4
17	62810	Lockwasher, 1/4" Med Split Ss	4
18	22230	Flatwasher, 3/8" U.s.s. Ss	4
19	63091	Keeper, Hairpin Small, Ss	9
20	64480	Pin, 3/16" X 1" Roll	1
21	62006	Decal, Danger (spinner)	1
22	62007	Decal, Caution	1
23	64183	Decal, Swing Up Spinner	1
24	63128	Trim, Vinyl	2
25	64478	Y, Motor/gearbox	1
25A	66124	Screw, 10-32 X 1/2 Pr Ss	2
25B	66125	Gearbox, 8:1 Giga	1
25C	66126	Motor, 12v Spinner	1
26	62198	Tie, Nylon 14" Std.	2
27	62160	Bushing, Strain Relief	1
28	64482	Harness, Electric Motor	1
29	62146	Disc, Poly Spinner 13"	1
30	64835	Bearing, Spinner	1
31	64646	Connector, Insul. Butt 12-10g	2
32	63284	Bolt, 1/2-13 X 1-1/4 Hh Ss	2
33	63259	Locknut, 1/2-13 NI Ss	2
34	63145	Rod, Spinner Mount	1
35	63193	Keeper, Hairpin Large, Ss	1

ZP= Zinc Plated CS = Mild Carbon Steel SS= Stainless Steel A/R= As Required

Meyer Products LLC
 18513 Euclid Ave. Cleaveland, Oh 44112
 Phone 216-486-1313 • Fax 216-486-9775
 Email: sales@meyerproducts.com

