

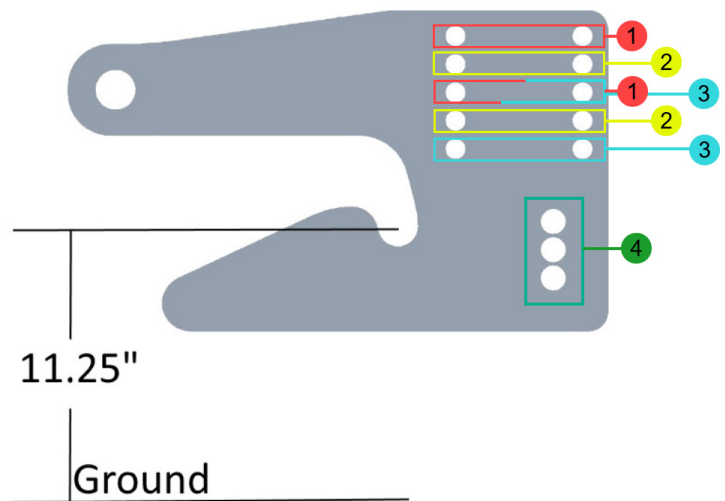
SUBJECT: Clevis applications

The 14700 Clevis is now standard with all Standard Operating System black iron packages. The 14700 Adjustable Clevis cannot be used with any EZ+ Operating System plow model.

The 14700 Clevis offers 3 levels of adjustability for a height difference of +/- 1.5 inches. To use the adjustability feature, mounting the clevis using two sets of applicable holes. Use one of the bottom 3 holes to secure to the clevis to the mount. See the diagram below.

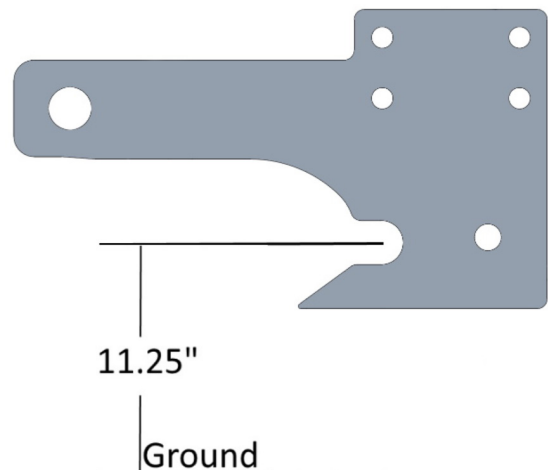
- Level 1 = Rows 1 and 3
- Level 2 = Rows 2 and 4
- Level 3 = Rows 3 and 5

The clevis requires a height of 11.25" off the ground in order for the plow to sit level.



The 19370 Clevis is standard for older EZ+ Operating System plow models and is required for any plow using the 19365 Lift Frame. The 19370 Clevis can be used with Standard Operating System plow models.

The 19370 Clevis will utilize all 5 mounting holes shown in the diagram below and requires a height of 11.25" off the ground in order for the plow to sit level.

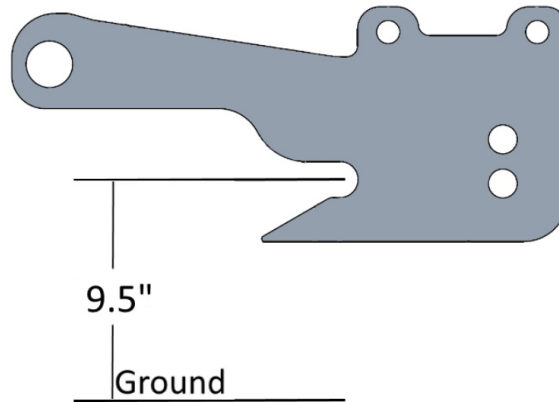


	Route To:			
Initial	President/Owner	Sales Manager	Service Manager	Parts Manager

SUBJECT: Clevis applications

The 19836 Clevis is standard for Drive Pro Single Pull plow models using 18000 series mounts.

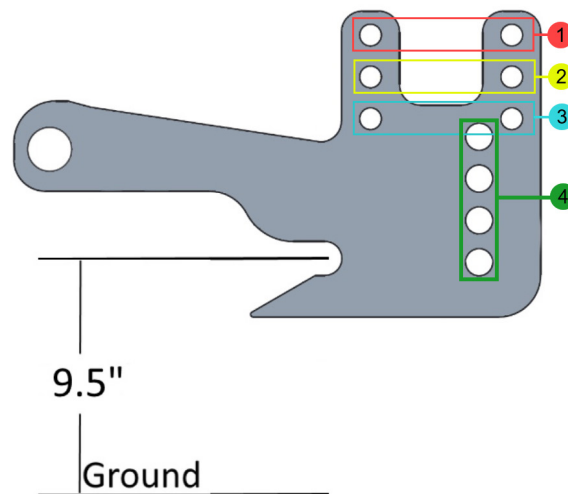
The 19836 Clevis will utilize all four mounting holes, per side, and requires a height of 9.5" off the ground in order for the plow to sit level.



The 19943 Clevis is standard for Drive Pro EZ+ Mount plow models using 17000 series mounts.

The 19943 Clevis offers 3 levels of adjustability. To use the adjustability feature, mount the clevis using one sets of applicable holes. Use one of the bottom 4 holes to secure to the mount. See the diagram below.

The 19943 Clevis will utilize all four mounting holes, per side, and requires a height of 9.5" off the ground in order for the plow to sit level.



	Route To:			
Initial	President/Owner	Sales Manager	Service Manager	Parts Manager