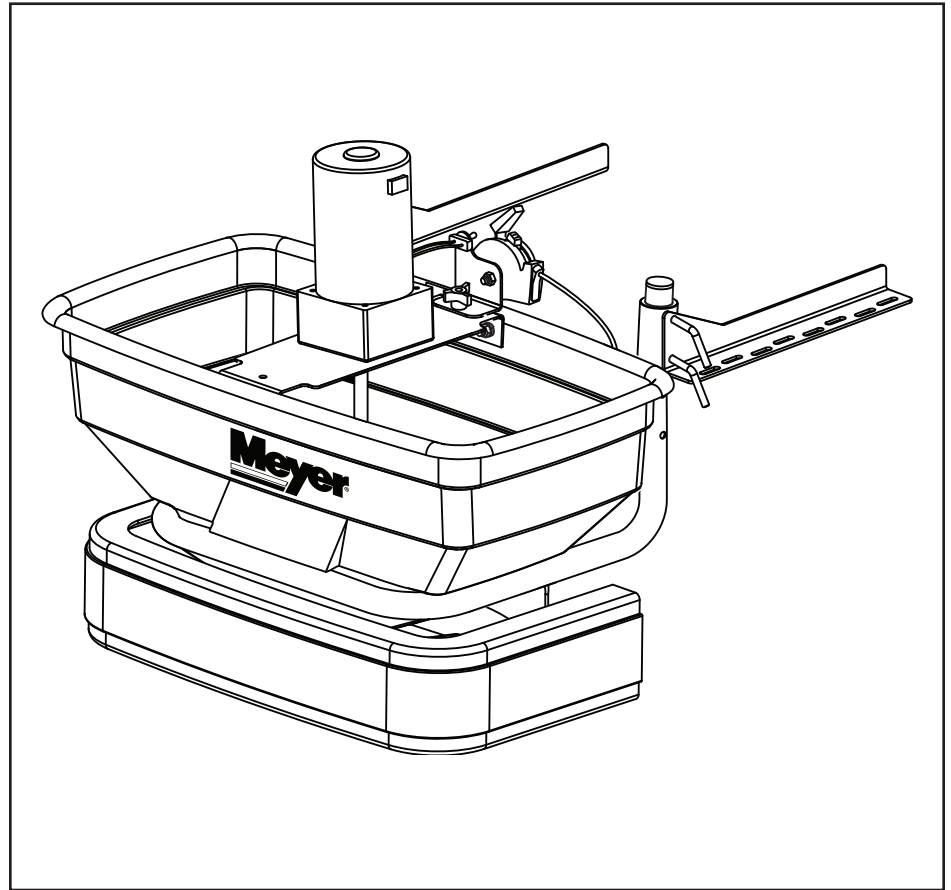




# OWNERS MANUAL

**Model No.  
31125**



## 125 LB. ATV SPREADER

**CAUTION:**  
Read Rules for  
Safe Operation  
and Instructions  
Carefully

- Assembly
- Operation
- Maintenance
- Repair Parts

# RULES FOR SAFE OPERATION

Any power equipment can cause injury if operated improperly or if the user does not understand how to operate the equipment. Exercise caution at all times when operating equipment.

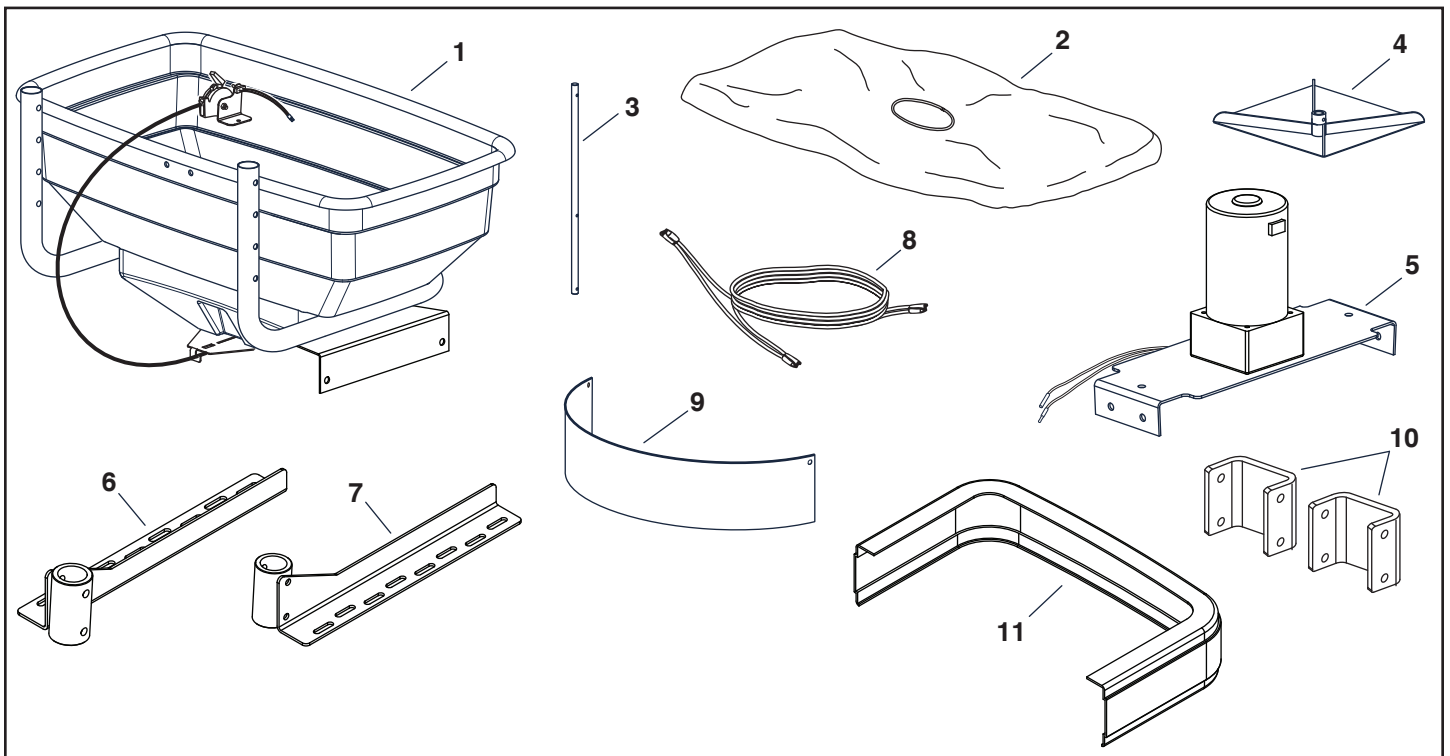
- Read this owners manual before attempting to assemble or operate the spreader.
- Read the vehicle owners manual and know how to operate your vehicle, before using the spreader attachment.
- Do not allow anyone to ride on or sit on spreader attachment frame.
- Never allow children to operate the vehicle or spreader attachment.
- Do not allow adults to operate the vehicle or spreader attachment without proper instructions.
- Never operate vehicle and spreader attachment without wearing solid, substantial footwear.
- Wear eye and hand protection when handling and using lawn chemicals.
- Always begin with the transmission in first (low) and gradually increase speed as conditions permit.
- When using broadcast spreader do not drive too close to a creek or ditch and be alert for holes and other hazards which could cause you to loose control of the broadcast spreader and vehicle.
- Always operate vehicle and spreader up and down a slope, never across a slope.
- Read instructions and caution notes for handling and application of materials purchased for spreading.
- Follow maintenance and lubrication instructions as outlined in this manual.



**LOOK FOR THIS SYMBOL TO POINT OUT IMPORTANT SAFETY PRECAUTIONS. IT MEANS — ATTENTION! BECOME ALERT! YOUR SAFETY IS INVOLVED.**

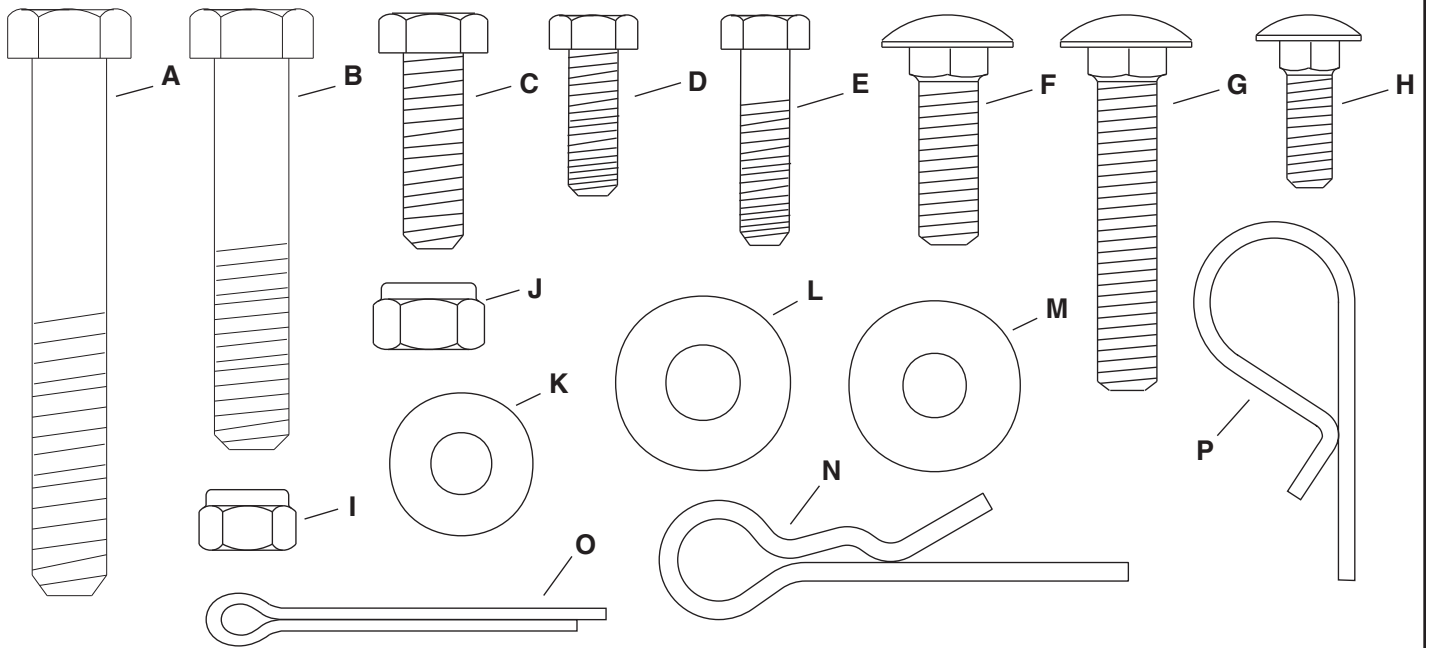
## CARTON CONTENTS

1. Hopper/Frame Assembly
2. Vinyl Cover
3. Impeller Shaft
4. Impeller
5. Motor Mount Assembly
6. Mounting Bracket, R.H.
7. Mounting Bracket, L.H.
8. Wire Harness
9. Deflector
10. Extension Brackets (2)
11. Shield

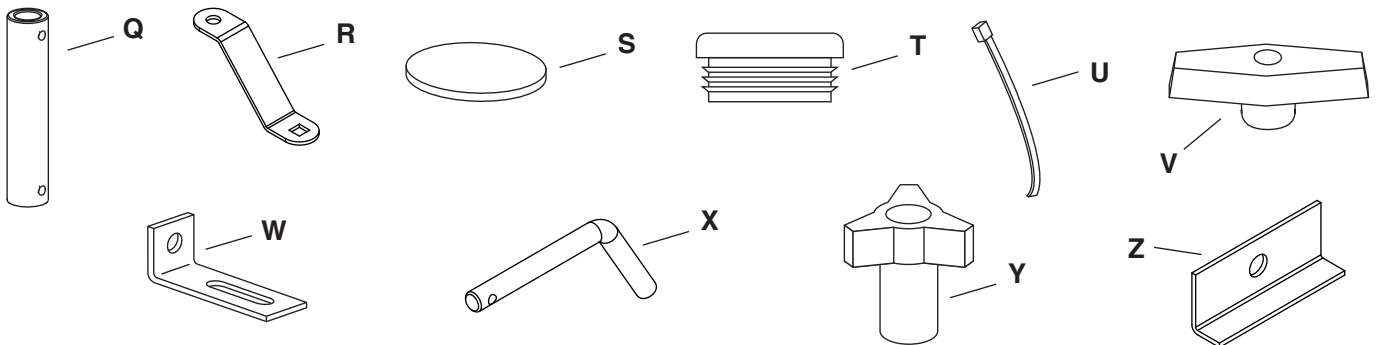


# HARDWARE PACKAGE

## SHOWN FULL SIZE



## NOT SHOWN FULL SIZE



REF	QTY	DESCRIPTION	REF	QTY	DESCRIPTION
A	4	Hex Bolt, 5/16 x 2-3/4"	N	1	Hair Pin Agitator
B	4	Hex Bolt, 5/16 x 2"	O	2	Cotter Pin, 1/8" x 1-1/4"
C	4	Hex Bolt, 5/16" x 1"	P	4	Hair Pin, 3/32 x 1.4"
D	2	Hex Bolt, 1/4 x 3/4"	Q	1	Coupler
E	6	Hex Bolt, 1/4 x 1"	R	4	Swivel Bracket
F	1	Carriage, 5/16" x 1"	S	4	Adhesive Pad
G	5	Carriage Bolt, 5/16" x 1-3/4"	T	2	Plug
H	2	Carriage Bolt, 1/4-20 x 3/4"	U	3	Nylon Tie
I	10	Nylock Hex Nut, 1/4"	V	5	Plastic Knob (2 Handle)
J	12	Nylock Hex Nut, 5/16"	W	5	Mounting Clamp
K	4	Flat Washer, 1/4"	X	4	Bent Clevis Pin
L	8	Flat Washer, 5/16"	Y	2	Plastic Knob (3 Handle)
M	8	Nylon Washer	Z	2	Angle Stop Bracket

# ASSEMBLY INSTRUCTIONS

## TOOLS REQUIRED FOR ASSEMBLY

- (1) Pliers
- (2) 7/16" Wrenches
- (2) 1/2" Wrenches
- (2) 9/16" Wrenches

## REMOVAL OF PARTS FROM CARTON

Remove all parts and hardware packages from the carton. Lay out all parts and hardware and identify using the illustrations on pages 2 and 3.

1. Turn the spreader upside down and press the two plugs into the ends of the frame tube.

**HINT:** Use a block of wood to help press the plug down into the end of the tubing.

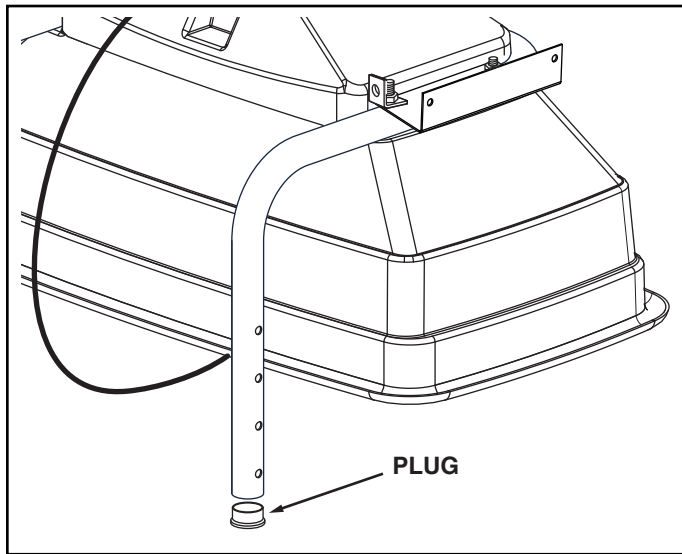


FIGURE 1

2. Fasten the deflector to the angle brackets using two 1/4" x 3/4" hex bolts, 1/4" flat washers and 1/4" nylock nuts. Allow the angle brackets to swivel so that the deflector curves naturally between the angle brackets.

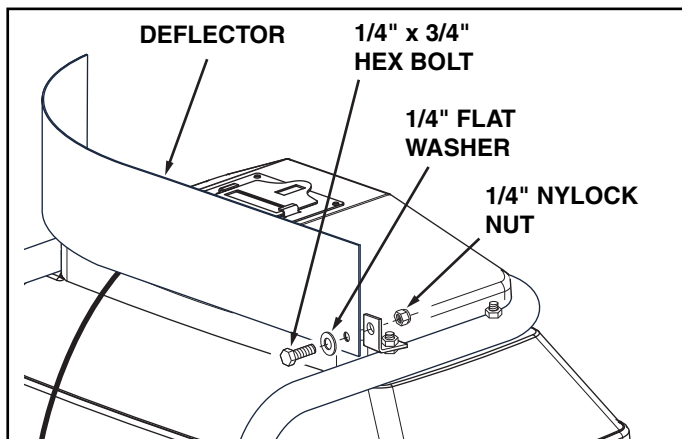
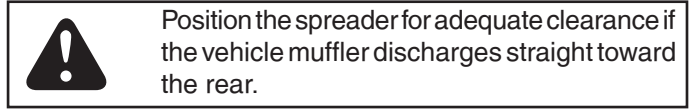


FIGURE 2



**NOTE:** The top of the hopper should be at least 30" above the ground. The mounting holes shown in figures 3 and 4 will make the top of the hopper even with the vehicle's rear rack. If exhaust blows against spreader, a higher mounting position may help.

**IMPORTANT:** Before proceeding, determine if the mounting brackets, when attached directly to the spreader frame, will fit onto the vehicle rack. If they need to be farther apart, use the extension brackets in figure 4.

**If you are NOT using extension brackets:**

3. Attach the R.H. mounting bracket to frame tube using two bent clevis pins and 3/32" hair pins as shown in figure 3. **Tighten.** Repeat for the L.H. mounting bracket.

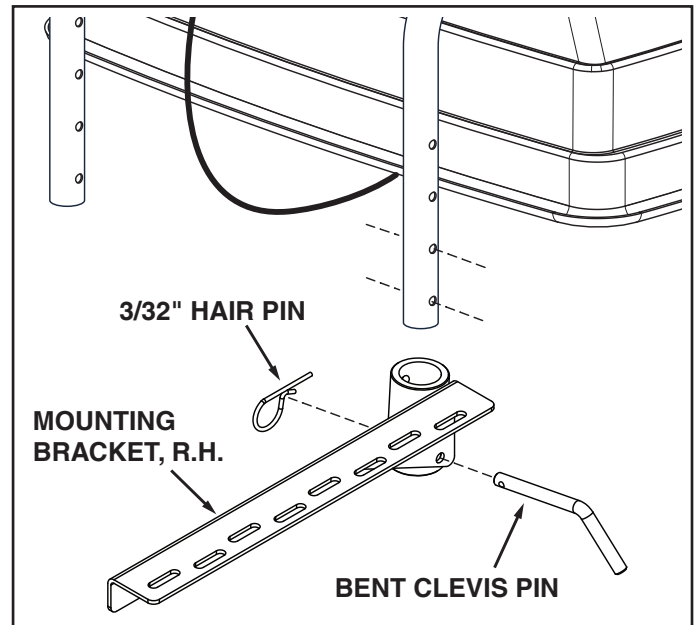
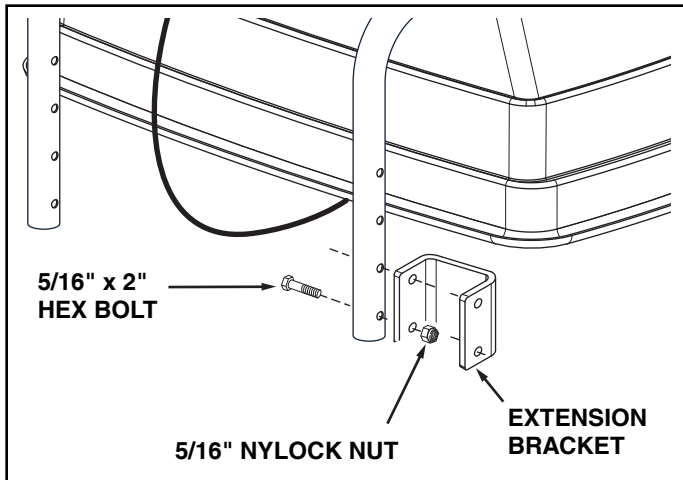


FIGURE 3

**If you are using extension brackets:**

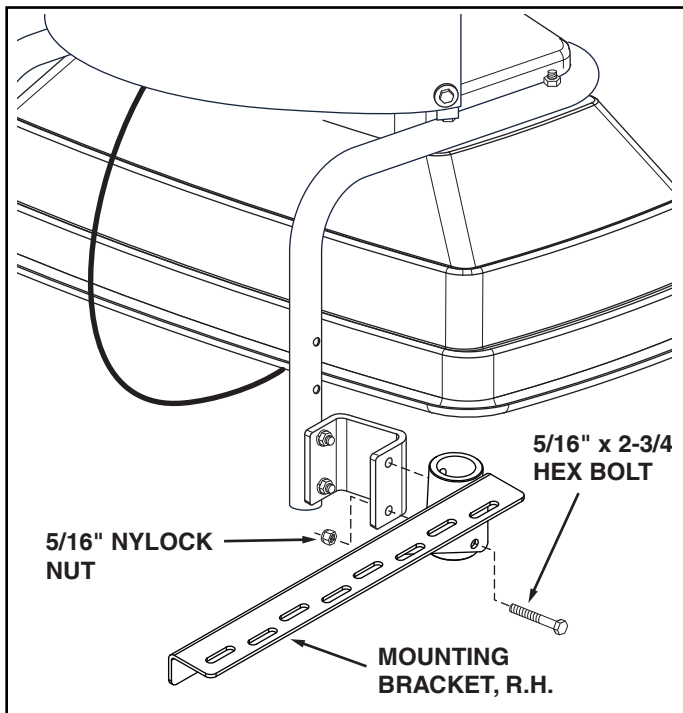
- Attach the extension brackets to the legs of the spreader frame. Use two 5/16" x 2" hex bolts and 5/16" nylock nuts per bracket. **Tighten.** See figure 4.



**FIGURE 4**

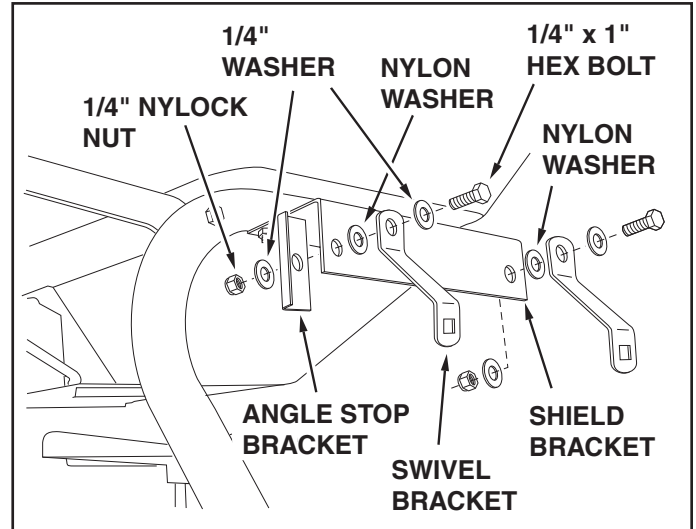
**If you are using extension brackets:**

- Attach the R.H. mounting bracket to the extension bracket shown in figure 5 using two 5/16" x 1" hex bolts and 5/16" nylock nuts. **Tighten.** Repeat on the other frame leg with the L.H. mounting bracket.



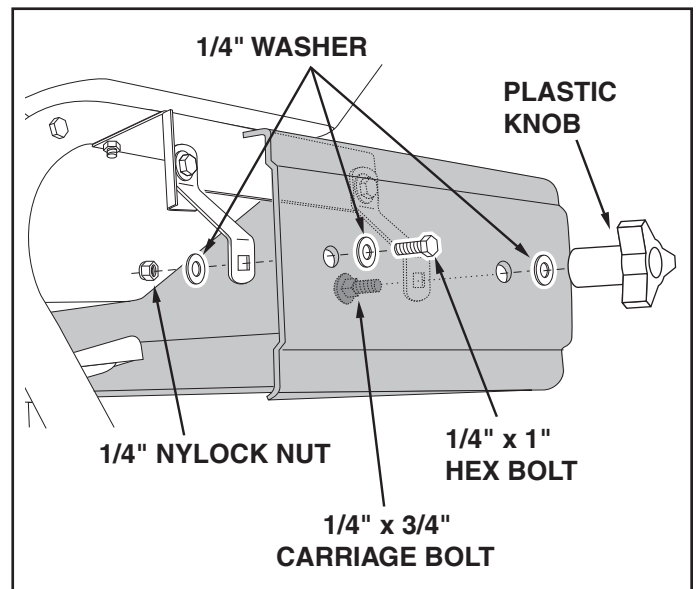
**FIGURE 5**

- Attach an angle stop bracket and a swivel bracket to the rear hole in the R.H. shield bracket using a 1/4" x 1" hex bolt, two 1/4" washers, a nylon washer and a 1/4" Nylock nut. Place the angle stop bracket on inside and swivel bracket on outside. **Tighten** locknut so the swivel bracket can pivot freely. See figure 12. Repeat step on L.H. shield bracket.
- Attach a swivel bracket to front hole in the R.H. shield bracket using a 1/4" x 1" hex bolt, two 1/4" washers, a nylon washer and a 1/4" Nylock nut. **Tighten** the nut so that the swivel bracket can pivot freely. See figure 12. Repeat step on L.H. shield bracket.



**FIGURE 6**

- Assemble spreader shield to the front swivel brackets using two 1/4" x 3/4" carriage bolts, 1/4" washers and the two 1/4" plastic knobs. See figure 13.
- Assemble spreader shield to the rear swivel brackets using two 1/4" x 1" hex bolts, four 1/4" washers and two 1/4" Nylock nuts. **Tighten** the nuts so that the swivel bracket can still pivot freely. See figure 13.



**FIGURE 7**

- Attach the spreader's mounting brackets to the vehicle's rear rack using four 5/16" x 1-3/4" carriage bolts, mounting clamps and plastic knobs. Use the adhesive pads to protect the rack. See figure 6.

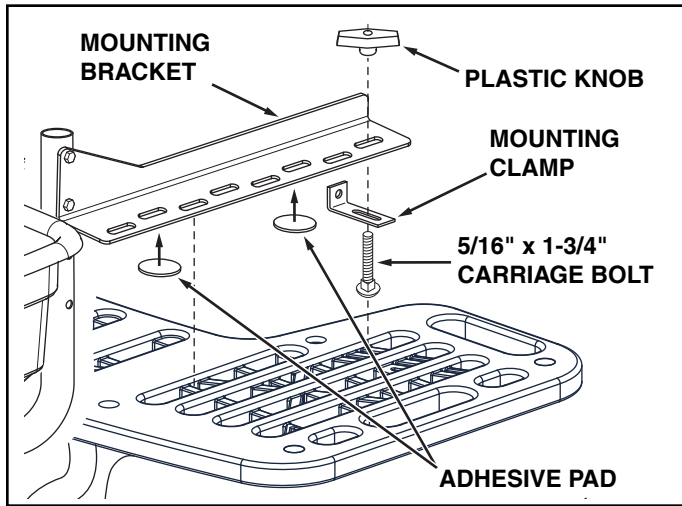


FIGURE 8

- Insert the 1/8" hairpin agitator into the middle hole in the spreader shaft. See figure 7.
- Slide the end of the spreader shaft through the plastic bushing in the bottom of the hopper. See figure 7.
- Slide the impeller onto the spreader shaft and secure it with a 1/8" x 1-1/4" cotter pin. See figure 7.

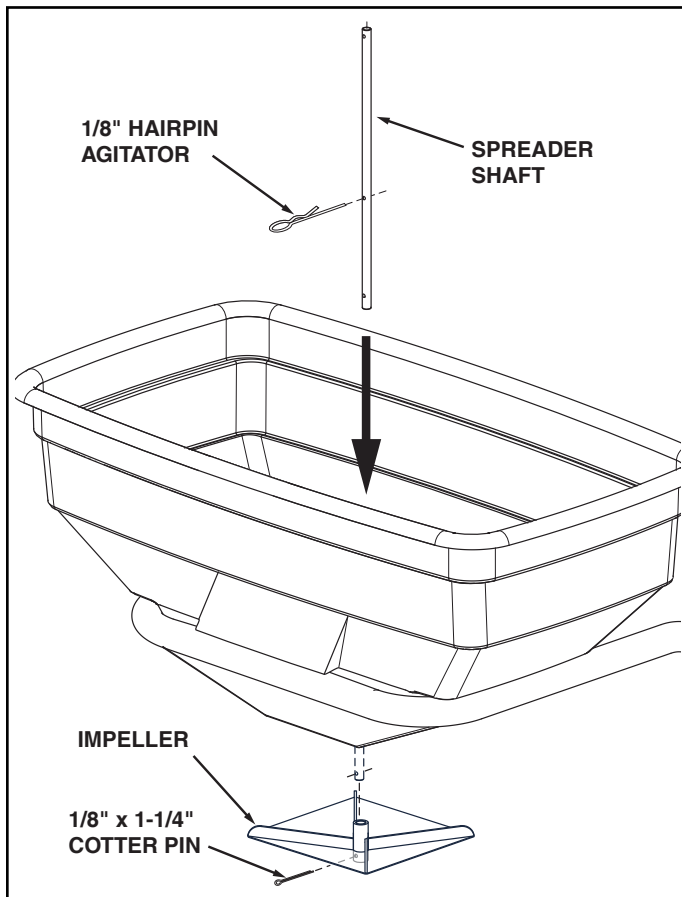


FIGURE 9

- Assemble the impeller coupler onto the motor shaft and secure it with the set screw against the flat side of the motor shaft. See figure 8.

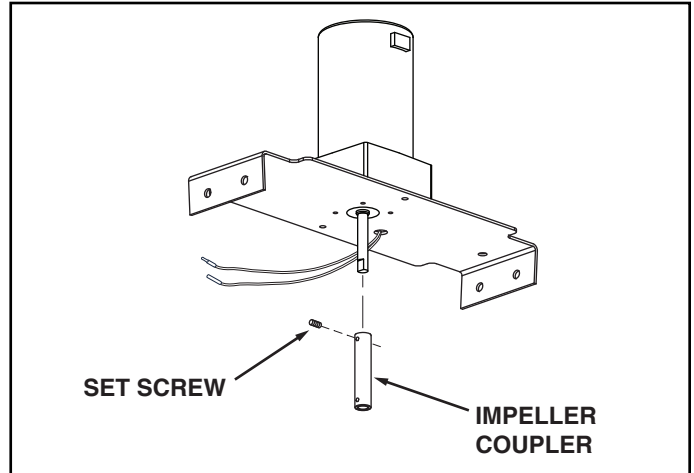


FIGURE 10

- Place the motor assembly down into the hopper, inserting the end of the spreader shaft into the impeller coupler. Secure it with a 1/8" x 1-1/4" cotter pin, spreading the ends of the pin around the coupler. See figure 9.
- Fasten the motor mount bracket to the hopper using four 5/16" x 1" hex bolts, 5/16" flat washers, nylon washers and 5/16" nylock nuts. See figure 9.

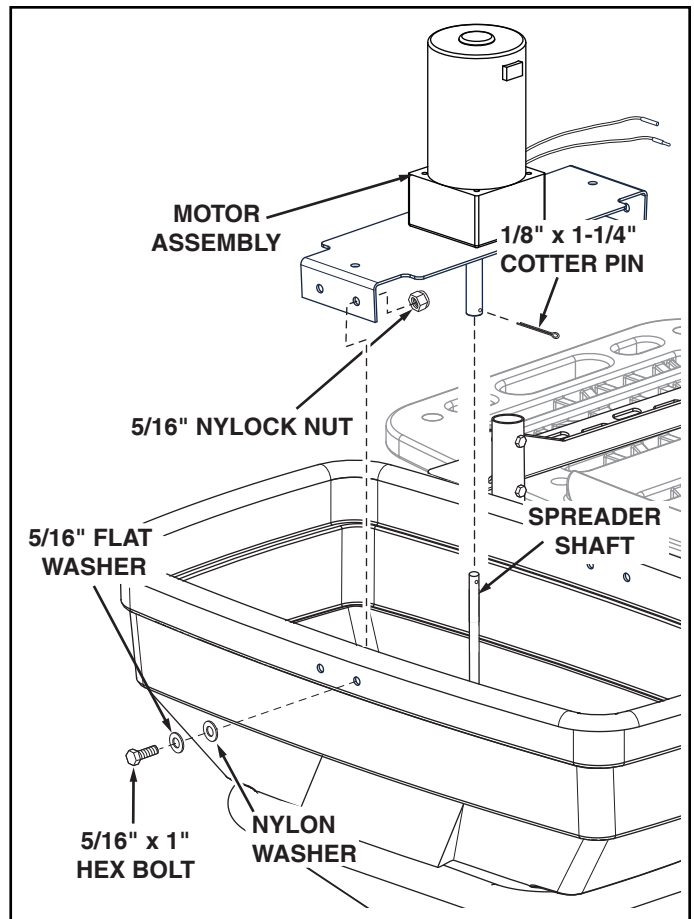
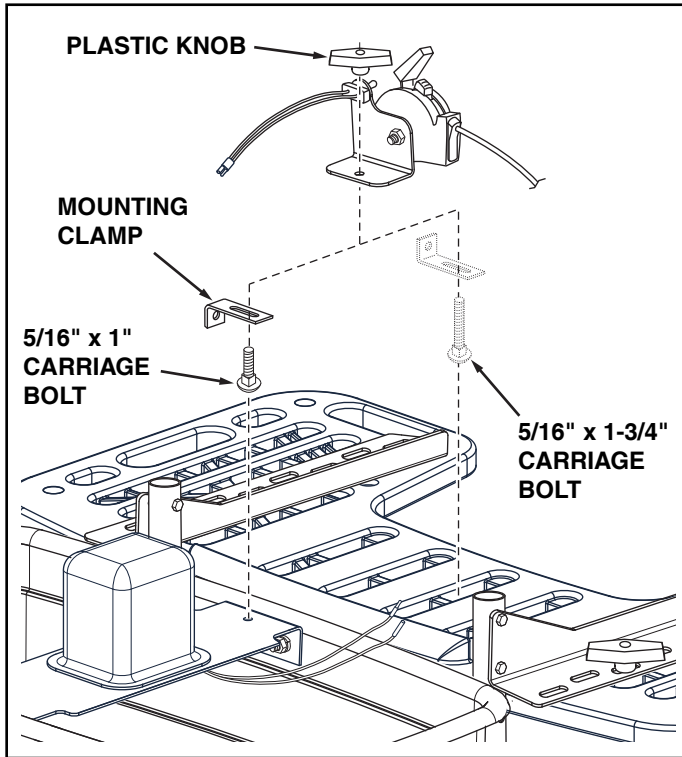


FIGURE 11

17. Attach the flow control to the motor mount bracket on the spreader using the 5/16" x 1" carriage bolt, a mounting clamp and a plastic knob. See figure 11.

**NOTE:** You can also attach to the rear rack if you use a 5/16" x 1-3/4" carriage bolt. If you attach to the rear rack, you can loosely pre-assemble the clamp, bolt and knob to the flow control. The clamp can then be angled down through the slot in the rack.



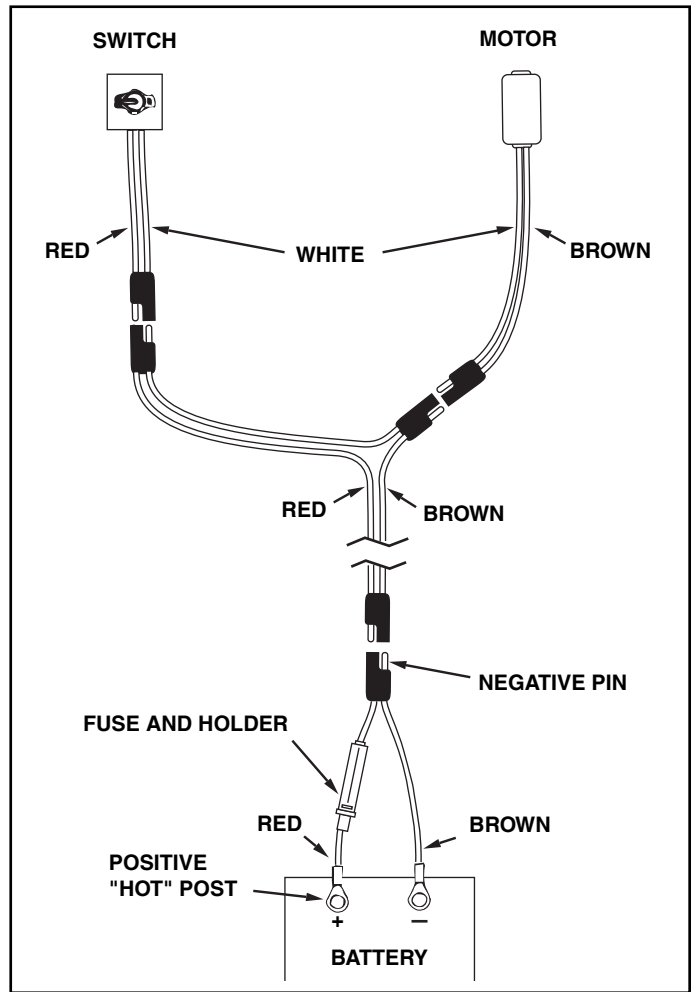
**FIGURE 12**

**WIRING INSTRUCTIONS**

When properly connected, the spreader motor and impeller will run **clockwise viewed from above**.

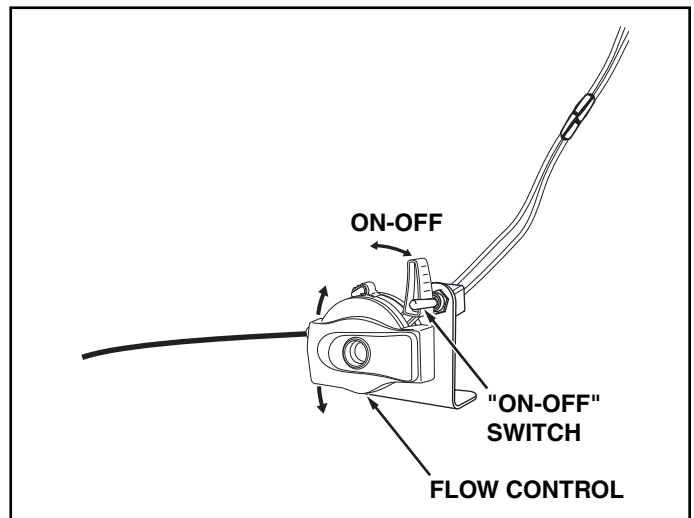
18. Move the spreader's flow control lever to the off position so that the "ON-Off" switch is turned off.
19. Connect the short (fused) wire harness to the vehicle battery by connecting the red wire to the positive post and the brown wire to the negative post on the battery. The wire harness may be left permanently attached to the battery. See figure 12.
20. Connect the long wire harness to the spreader by connecting the red and white wires to the switch and the brown and white wires to the spreader motor. Refer to figure 12.
21. Connect the long wire harness to the short (fused) wire harness. Be sure the wires are clear of any moving parts, hot engine parts, or pinch points.
22. Use the nylon ties provided to safely secure the wiring away from hot engine parts, rotating parts and pinch points.

**NEVER** allow negative pin on plug to come in contact with positive "hot" post on battery. Fire or explosion can result!



**FIGURE 13**

23. Move the flow control lever to the "ON" position. Flip the "ON-OFF" switch on and check that the motor runs counterclockwise. If it does not, refer to the wiring diagram on page 6 and recheck the hookup.
24. Move the flow control lever to "OFF". This should turn the "ON-OFF" switch off. If it does not, you can loosen the control and rotate it enough that the flow control lever, when moved to the "OFF" position will turn the switch off. See figure 13.



**FIGURE 14**

# OPERATION

## HOW TO USE YOUR SPREADER

### SETTING THE FLOW CONTROL

1. Slide the Adjustable stop to the desired setting.
2. Move the Flow Control Lever forward until it snaps into the Adjustable Stop, locking the lever at the desired setting. See figure 15.

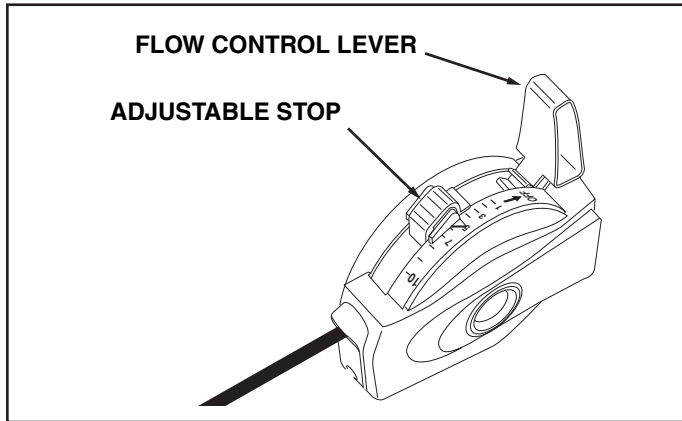


FIGURE 15

### STARTING THE SPREADER

1. Move the Flow Control Lever against the Adjustable Stop and flip the "ON-OFF" switch to the on position.

### STOPPING THE SPREADER

1. Move the Flow Control Lever to the "OFF" position. Make sure that the switch is turned off by the Flow Control Lever.

## USING YOUR SPREADER

We do not recommend the use of any powdered lawn chemicals, due to difficulty in obtaining a satisfactory or consistent broadcast pattern.

1. Determine approximate square footage of area to be covered and estimate amount of material required.
2. Verify that the spreader motor turns on and off and that the flow control is operating properly.
3. Make sure the flow control lever is in the off position and the closure plate is shut.
4. Set the adjustable stop to the desired flow rate, keeping the flow control arm in the off position. Refer to the application chart on this page and the instructions on the fertilizer bag to determine the proper flow rate setting. The application chart is calculated for a vehicle speed of 3 mph (100 ft. in 23 seconds). Faster speeds require higher flow rate settings to maintain the same application rate.
5. Fill the hopper with the material to be spread, breaking up any lumps as you fill the hopper.
7. Start the vehicle in motion and then open the spreader closure plate and flip the switch to "ON".

8. Shut the closure plate before turning or stopping.
9. To insure uniform coverage, make each pass so that the broadcast pattern slightly overlaps the pattern from the previous pass as shown in figure 16. The approximate broadcast widths for different materials are shown in the application chart on this page.
10. When broadcasting weed control fertilizers, make sure the broadcast pattern does not hit evergreen trees, flowers or shrubs.
11. Heavy moisture conditions may require a cover over the hopper to keep contents dry. The vinyl cover acts as a wind and moisture shield, but should not be used as a rain cover.
12. If fertilizer is accidentally deposited too heavily in an area, soak the area thoroughly with a garden hose or sprinkler to prevent burning of the lawn.

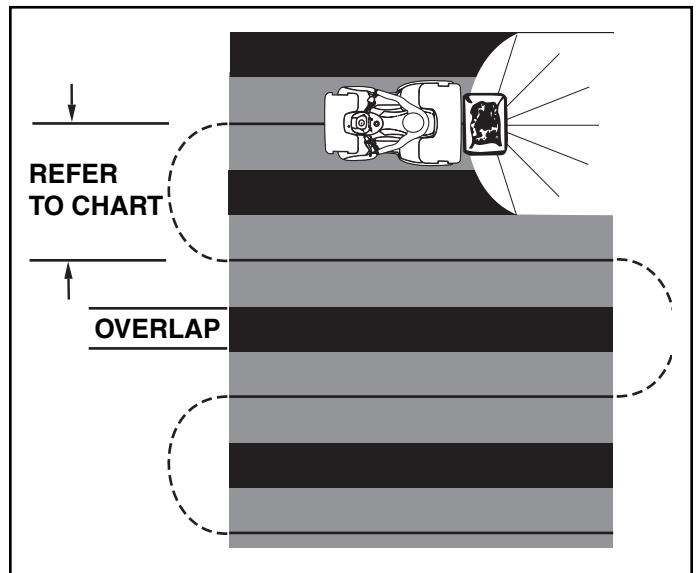


FIGURE 16

**IMPORTANT:** Application rates shown in the chart are affected by humidity and by the moisture content of the material (granular and pellet). Some minor setting adjustments may be necessary to compensate for this condition.

APPLICATION CHART		
TYPE MATERIAL	FLOW SETTING 3 MPH	SPREAD WIDTH
FERTILIZER		
Powder	3 - 5	3' - 4'
Granular	3 - 5	10' - 12'
Pelleted	3 - 5	17' - 19'
Organic	6 - 8	3' - 4'
GRASS SEED		
Fine	3 - 4	3' - 4'
Coarse	4 - 5	8' - 9'
ICE MELT	6 - 8	17' - 19'
SAND	4-10	17' - 19'

**OPERATING SPEED - 3 MPH. (100 ft. in 23 seconds)**



## REMOVING THE SPREADER

13. Disconnect the spreader from the vehicle battery by unplugging the short wire harness from the long wire harness. The short wire harness may be left permanently attached to the battery.
14. Remove the flow control from the rear rack of the vehicle if it is attached there.
15. Loosen the knobs on the spreader mounting brackets. Rotate the clamps fastened underneath the vehicle rack and lift them up through the rack to remove the spreader.

## MAINTENANCE

### CHECK FOR LOOSE FASTENERS

1. Before each use make a thorough visual check of the spreader for any bolts and nuts which may have loosened. Retighten any loose bolts and nuts.

### CHECK FOR WORN OR DAMAGED PARTS

2. Check for worn or damaged parts before each use. Repair or replace parts if necessary.

### CLEANING

3. Rinse inside of hopper and exterior of spreader and dry off before storing.

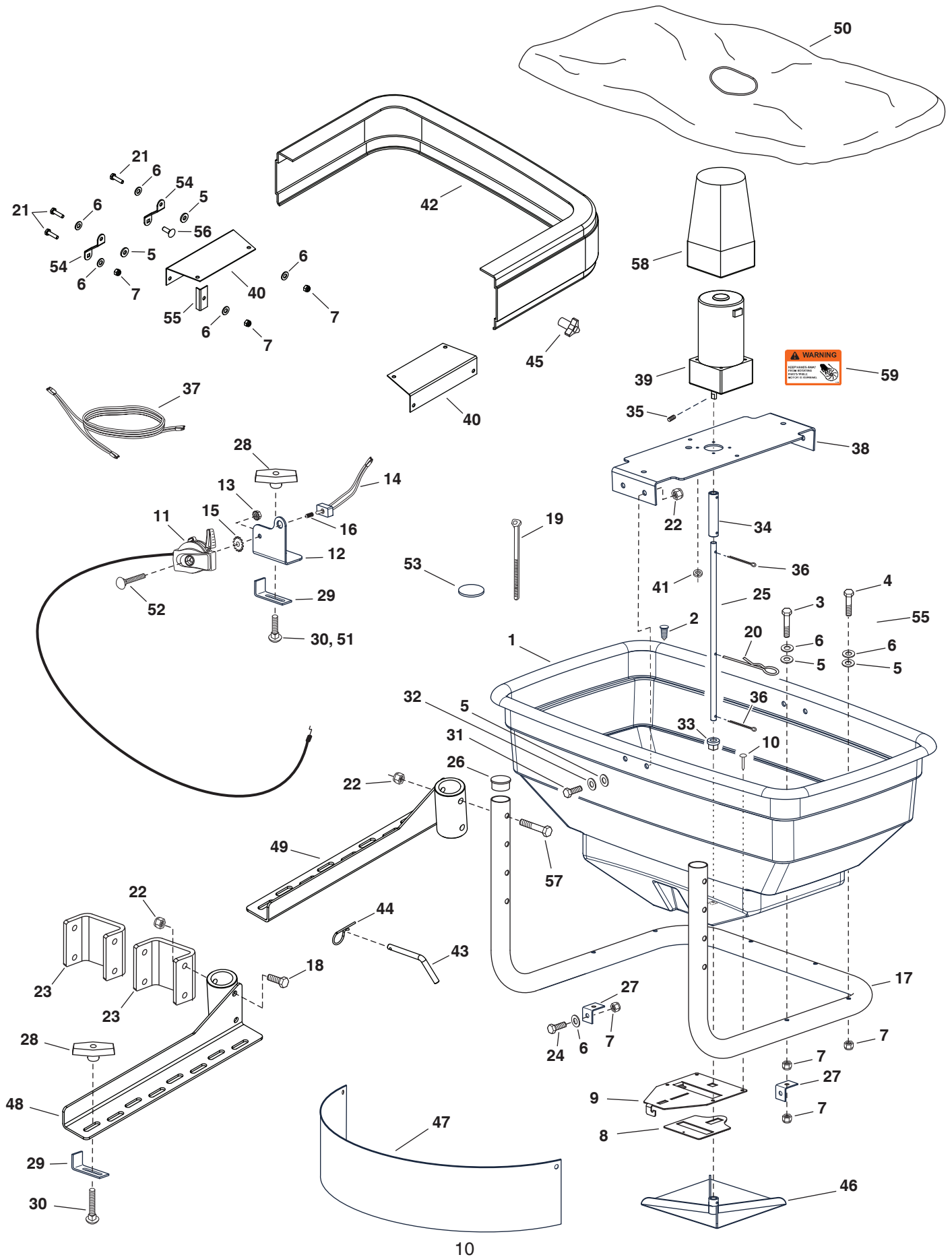
## STORAGE

1. Rinse inside of hopper and exterior of spreader and dry off before storing.
2. Store in a clean, dry area.

## TROUBLE SHOOTING POINTS

Hopper closure plate does not open to the correct position.	1. Material packed around plate	1. Clean out around closure plate
Spreader motor doesn't run.	<ol style="list-style-type: none"> <li>1. Loose connection in spreader wiring</li> <li>2. In line fuse is blown.</li> <li>3. Loose battery connection</li> <li>4. Battery is run down.</li> <li>5. Broken spreader wiring</li> <li>6. Spreader switch is broken.</li> <li>7. Spreader motor is broken.</li> </ol>	<ol style="list-style-type: none"> <li>1. Check and reconnect.</li> <li>2. Replace fuse.</li> <li>3. Tighten battery terminals.</li> <li>4. Recharge the battery.</li> <li>5. Replace damaged wiring.</li> <li>6. Replace the switch</li> <li>7. Repair or replace motor.</li> </ol>
Spreader motor runs backwards.	1. Wired backwards to battery.	1. Switch wiring at battery terminals.
Motor runs when switch is shut off.	<ol style="list-style-type: none"> <li>1. Wired backwards to battery.</li> <li>2. Spreader on-off switch is broken.</li> </ol>	<ol style="list-style-type: none"> <li>1. Switch wiring at battery terminals.</li> <li>2. Replace the switch.</li> </ol>

# REPAIR PARTS FOR ATV MOUNTED 125 LB. BROADCAST SPREADER MODEL 31125



**REPAIR PARTS FOR ATV MOUNTED  
125 LB. BROADCAST SPREADER MODEL 31125**

REF	PART NO	QTY	DESCRIPTION	REF	PART NO	QTY	DESCRIPTION
1	AF41935	1	Hopper	31	AF43063	4	Hex Bolt, 5/16-18 x 1"
2	AF48402	2	Plastic Plug	32	AF43081	4	Flat Washer, 5/16"
3	AF45164	2	Hex Bolt, 1/4-20 x 2-1/4"	33	AF44285	1	Bushing, Hopper
4	AF46699	4	Hex Bolt, 1/4-20 x 2"	34	AF41976	1	Coupler, Impeller
5	AF1543-69	14	Nylon Washer	35	AFHA115321	1	Set Screw
6	AF43088	14	Flat Washer, 1/4"	36	AF43010	2	Cotter Pin, 1/8" x 1-1/4"
7	AF47189	16	Nylock Nut, 1/4-20	37	AF46554	1	Wire Harness
8	AF25118	1	Flow Slide	38	AF24936	1	Bracket, Motor Mount
9	AF24853	1	Guide Plate	39	AF41931	1	Motor with fasteners
10	AF41157	4	Rivet, Stainless Steel	40	AF24125	2	Shield Bracket
11	AF47999	1	Control Cable Assembly	41	AF736-0722	4	Lock Washer, #10
12	AF24937	1	Control Mount Bracket	42	AF46119	1	Spreader Shield
13	AF46978	1	Hex Nut, 1/4-20 (SIMS)	43	AF41934	4	Bent Clevis Pin
14	AF48983	1	Switch, On-Off	44	AF43055	4	Hair Pin, 3/32 x 1.8"
15	AF44732	1	Star Washer	45	AF43849	2	Plastic Knob (3 handle)
16	AF45082	1	Boot, Rubber Switch	46	AF04367	1	Impeller
17	AF48947	1	Tube, Hopper Mount	47	AF48559	1	Deflector
18	AF44180	4	Hex Bolt, 5/16-18 x 2"	48	AF25214	1	Mounting Bracket, R.H.
19	AF726-0178	3	Nylon Tie	49	AF25213	1	Mounting Bracket, L.H.
20	AF48934	1	Hairpin Agitator	50	AF49080	1	Vinyl Cover
21	AF43661	6	Hex Bolt, 1/4-20 x 1"	51	AF44326	1	Carriage Bolt, 5/16 -18 x 1"
22	AF47810	8	Nylock Nut, 5/16-18	52	AF45039	1	Carriage Bolt, 1/4-20 x 1-3/4"
23	AF25248	2	Extension Bracket	53	AF48661	4	Adhesive Pad
24	AF43012	2	Hex Bolt, 1/4-20 x 3/4"	54	AF23998	4	Shield Swivel Bracket
25	AF24946	1	Impeller Shaft	55	AF23999	2	Angle Stop Bracket
26	AF47674	2	Plug, 1-1/4"	56	AF44950	2	Carriage Bolt, 1/4-20 x 3/4"
27	AF23826	2	Angle Bracket	57	AF1509-170	4	Hex Bolt, 5/16-18 x 2-3/4"
28	AF43720	5	Plastic Knob (2 handle)	58	AF41975	1	Motor Cover
29	AF23442	5	Mounting Bracket	59	AF41994	1	Warning Label
30	AF44215	5	Carriage Bolt, 5/16-18 x 1-3/4"				

## **WARRANTY**

Meyer Products LLC warrants to Purchaser the following:

Meyer Products LLC, warrants to the original purchaser for a period of one year from the date of purchase of Meyer® brand spreader products that they will be free from defects in materials or workmanship, with the exceptions stated below. No person is authorized to change this warranty or to create any additional warranty on Meyer® products.

Meyer Products LLC will repair any product that proves to be defective in materials or workmanship. In the event repair is not possible or practical (as determined by Meyer Products LLC in its sole discretion), Meyer Products LLC will either replace the product with a new product of similar model and price, or refund the full purchase price, as determined by Meyer Products LLC. Customer must keep the complete spreader system serviced/maintained as recommended by Meyer Products LLC.

This warranty does not cover:

- Problems caused by failure to follow the product instructions, or failure to maintain the product as described in the Operator's Manual;
- Damage resulting from rust, corrosion
- Damage caused by usage that is not in accordance with product instructions (use of the spreader for any purpose other than spreading approved material is considered misuse and abuse);
- Any spreader, or any part, component, or assembly thereof, which has been modified or altered;
- Problems caused by using accessories, parts, or components not supplied by Meyer Products LLC;
- Cost of tax, freight, transportation or storage charges, environmental charges, solvents, sealants, lubricants or any other normal shop supplies.
- Problems caused by collision, fire, theft, vandalism, riot, explosion, lightning, earthquake, windstorm, hail, water, flood, or any other Acts of God;
- Liability for damage to property, or injury to, or death of any person arising out of the operation, maintenance or use of the covered product;
- Products with missing or altered serial numbers;

How To Get Service:

- It is the responsibility of the original purchaser to establish the warranty period by verifying the original delivery date. A bill of sale, cancelled check or some other appropriate payment record may be kept for that purpose. It is recommended, but not required, that the consumer verify the original delivery date by immediately returning the attached Warranty Registration Card.

How State Law Applies:

This warranty gives you specific legal rights, and you may also have other rights which vary from state to state.

**Meyer Products LLC**  
18513 Euclid Ave. • Cleveland, Ohio 44112-1084  
Phone 486-1313 (Area Code 216)  
[www.meyerproducts.com](http://www.meyerproducts.com) • email [info@](mailto:info@)  
[meyerproducts.com](http://meyerproducts.com)