



OWNERS MANUAL

**Model No.
38210**



120 LB. PUSH BROADCAST SPREADER

CAUTION:
Read Rules for
Safe Operation
and Instructions
Carefully

- Assembly
- Operation
- Maintenance
- Repair Parts

RULES FOR SAFE OPERATION

The following safety precautions are suggested. This broadcast spreader is designed, engineered and tested to offer reasonably safe and effective service, provided it is operated in strict accordance with these instructions. Failure to do so may result in personal injury. Always observe the rules of safe operation.

1. Do not allow anyone to operate the broadcast spreader without proper instructions.
2. Do not permit children to operate the broadcast spreader.
3. Wear eye and hand protection when handling and when applying lawn or garden chemicals.
4. Read the chemical label instructions and cautions for handling and applying the chemicals purchased for spreading.
5. Keep all nuts, bolts and screws tight to be sure equipment is in safe working condition.
6. Follow maintenance and lubrication instructions as outlined in this manual.

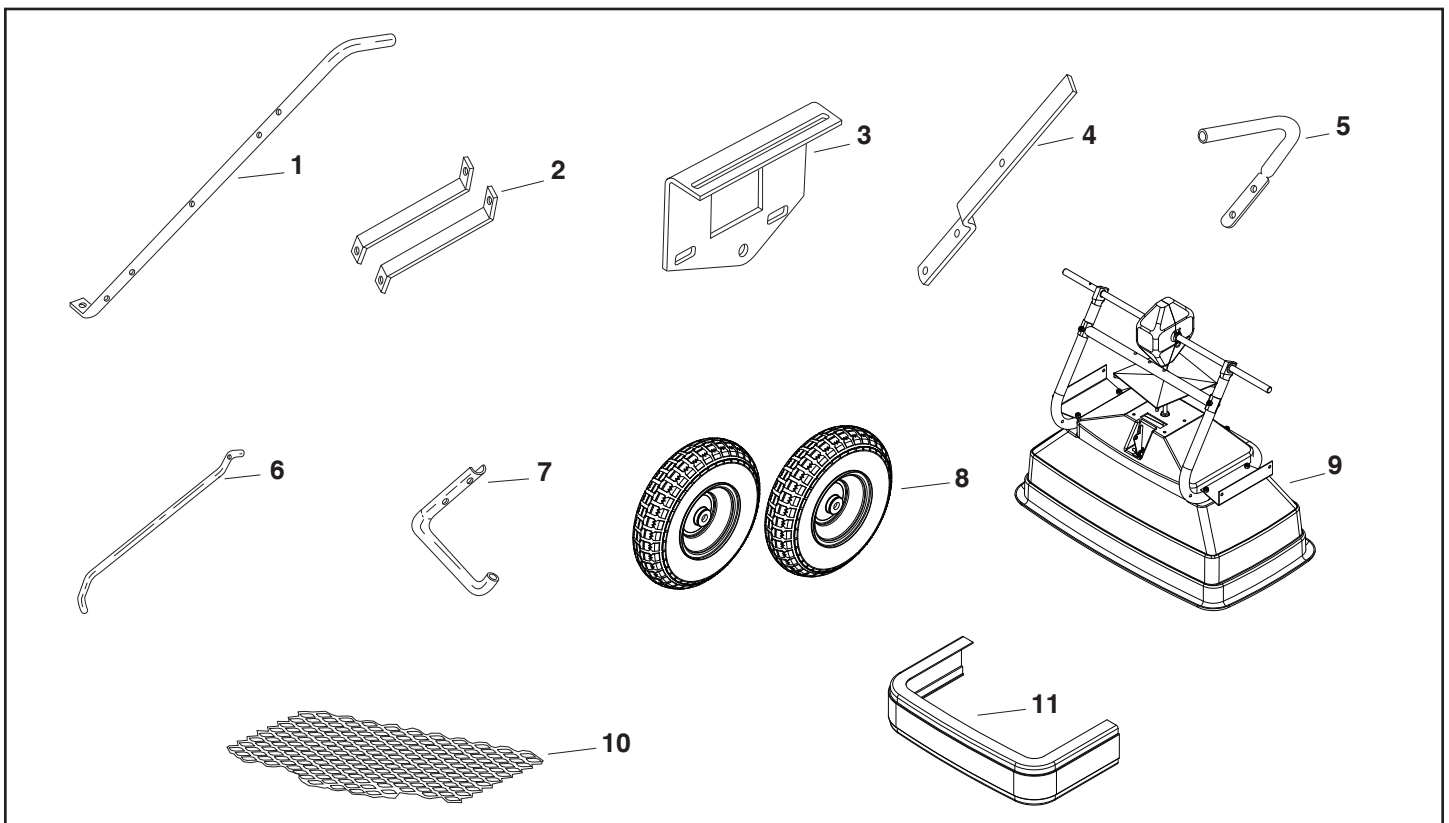


LOOK FOR THIS SYMBOL TO POINT OUT IMPORTANT SAFETY PRECAUTIONS. IT MEANS — ATTENTION! BECOME ALERT! YOUR SAFETY IS INVOLVED.

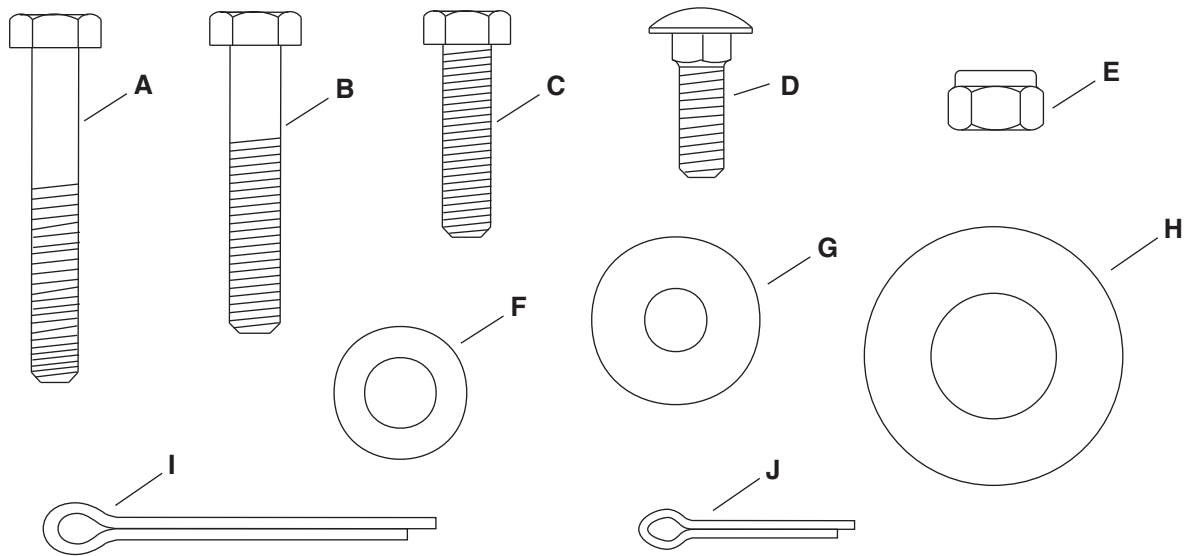
CARTON CONTENTS

LOOSE PARTS IN CARTON

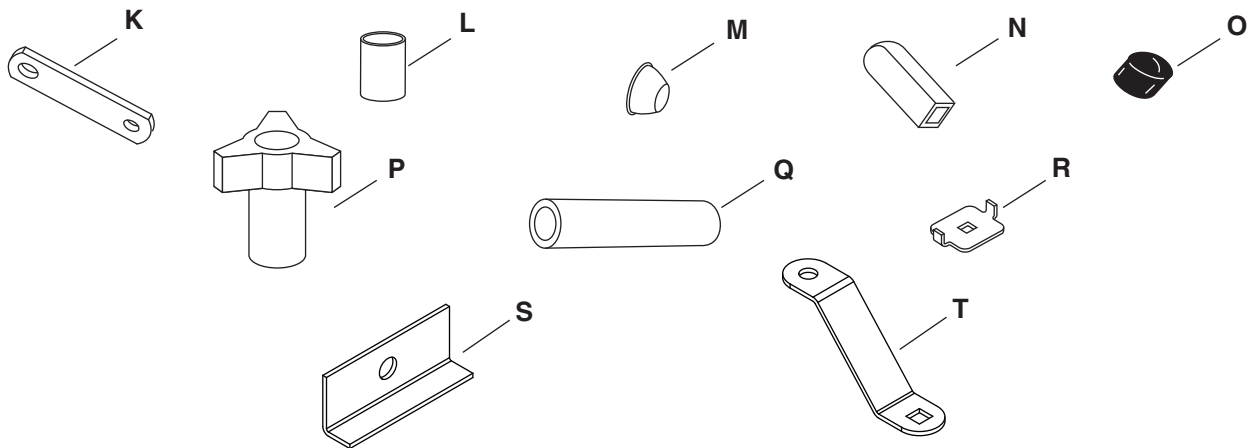
1. Handle Tube (long)
 2. Braces (2)
 3. Flow Control Mount Bracket
 4. Flow Control Arm
 5. Handle Tube (short)
 6. Flow Control Rod
 7. Leg Stand Tube
 8. Wheels (2)
 9. Hopper Assembly
 10. Hopper Screen
 11. Spreader Shield
- Hardware Package (not shown)



SHOWN FULL SIZE



NOT SHOWN FULL SIZE



KEY	QTY.	DESCRIPTION	KEY	QTY.	DESCRIPTION
A	2	Hex Bolt, 1/4-20 x 1-3/4" Long	K	1	Flow Control Link
B	6	Hex Bolt, 1/4-20 x 1-1/2" Long	L	2	Spacer Tube
C	8	Hex Bolt, 1/4-20 x 1" Long	M	2	Hub Cap
D	3	Carriage Bolt, 1/4-20 x 3/4" Long	N	1	Grip
E	16	Nyock Nut, 1/4-20 Thd.	O	1	Vinyl Cap
F	18	Washer, 1/4"	P	3	Plastic Knob
G	8	Nylon Washer	Q	2	Handle Grip
H	4	Flat Washer, 5/8"	R	1	Adjustable Stop
I	1	Cotter Pin, 5/32" x 2"	S	2	Angle Stop Bracket
J	1	Cotter Pin, 3/32" x 3/4" Long	T	4	Swivel Bracket

ASSEMBLY INSTRUCTIONS

TOOLS REQUIRED FOR ASSEMBLY

- (1) Pliers
- (1) Hammer
- (2) 7/16" Open or Boxed End Wrenches

1. Remove the spreader, the loose parts and the hardware package from the carton. Lay out parts and hardware and identify using the illustrations on pages 2 and 3.
2. With the spreader resting upside down on the top of the hopper, assemble a spacer and then a 5/8" flat washer onto each end of the axle. See figure 1.

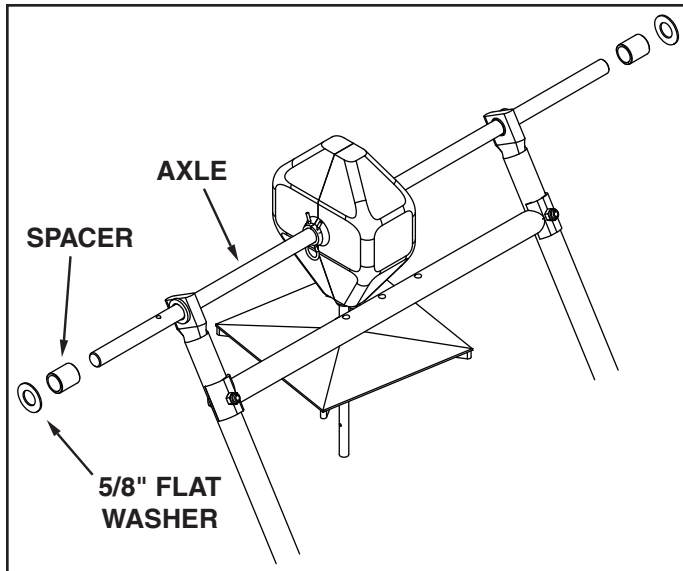


FIGURE 1

3. Place a wheel onto the end of the axle that has no cross hole. The long end of the hub goes to the inside. See figure 2.
4. Place a 5/8" flat washer onto the axle and then lightly tap a hub cap onto the axle until it is snug against the washer and wheel hub. See figure 2.

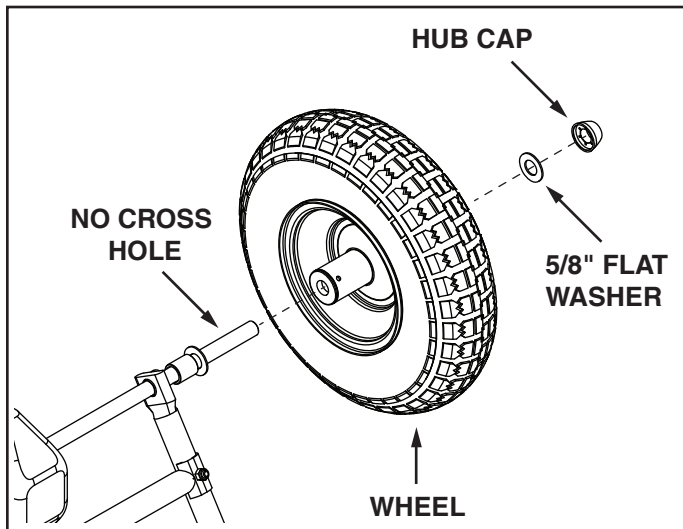


FIGURE 2

5. Place a wheel onto the end of the axle that has a cross hole. The long end of the hub goes to the inside.
6. Assemble a 5/32" x 2" cotter pin through the hole in the wheel hub and the axle. See figure 3.
7. Place a 5/8" flat washer onto the axle and then lightly tap a hub cap onto the axle until it is snug against the washer and wheel hub. See figure 3.

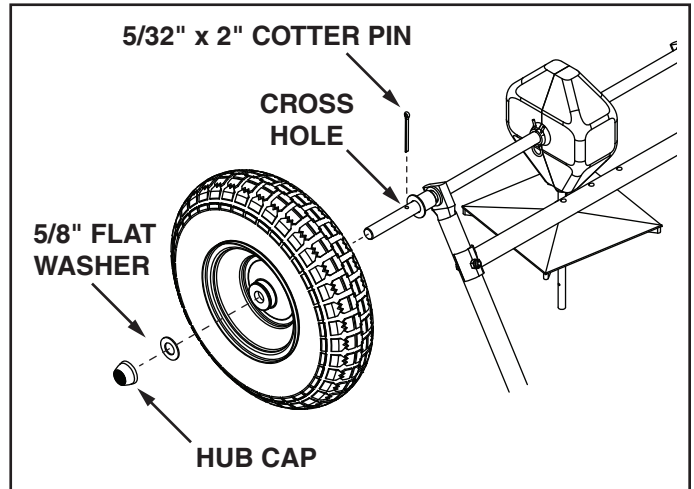


FIGURE 3

8. Fasten the long handle tube onto the crossover tube using using a 1/4" x 1-1/2" hex bolt, 1/4" washer, and 1/4" nylock nut. **Do not tighten at this time.**
9. Assemble two handle braces to the inside of the hopper frame, one on each side, using two 1/4" x 1-1/2" hex bolts and two 1/4" nylock nuts. **Do not tighten at this time.**
10. Assemble the other end of the two handle braces to the long handle tube using a 1/4" x 1-1/2" hex bolt and 1/4" nylock nut. **Do not tighten at this time.**
11. **Tighten** all nuts and bolts in same sequence as assembled in steps 8 through 11. See figure 4.

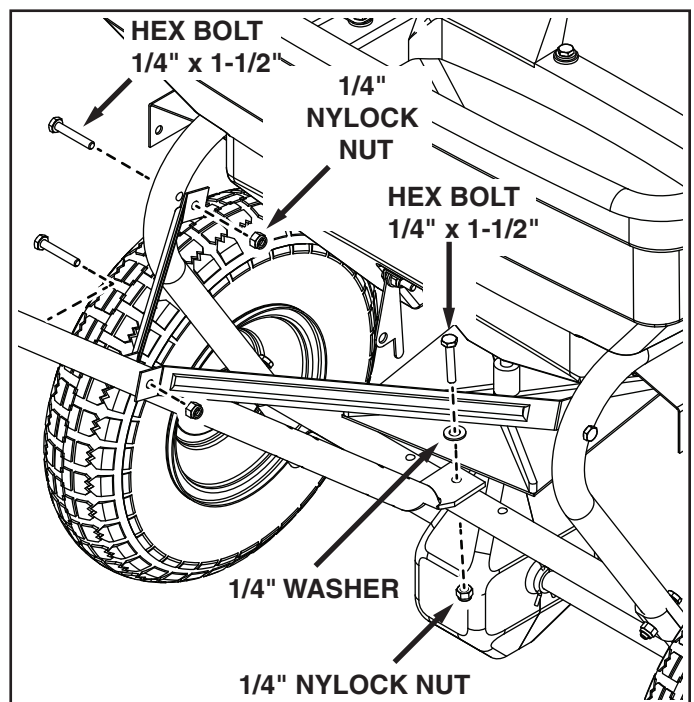


FIGURE 4

12. Assemble the leg stand tube to the bottom set of holes in the handle tube (long) using two 1/4" x 1-1/2" hex bolts and 1/4" nylock nuts. See figure 5.
13. Place a vinyl cap over the end of the leg stand tube.

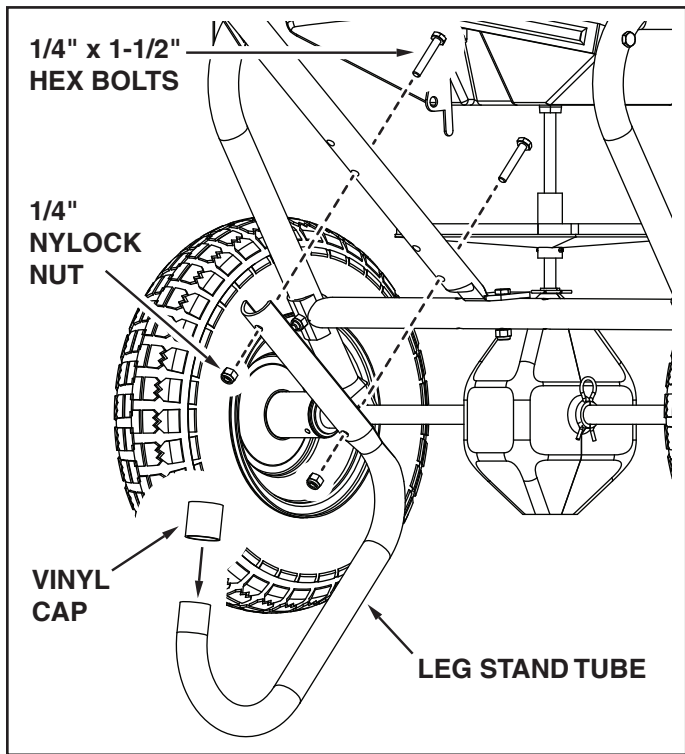


FIGURE 5

14. Assemble the flow control link (end with small hole) to the flow control arm using a 1/4" x 1" hex bolt, a nylon washer and a 1/4" nylock nut as shown in figure 6. **Tighten carefully.** The flow control link should not be loose but should pivot with no more than slight resistance.

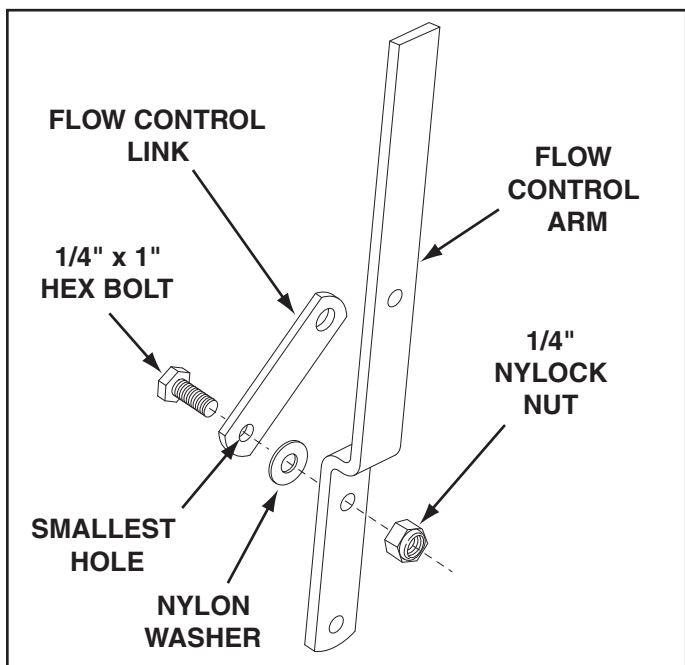


FIGURE 6

15. Assemble the flow control arm to the flow control mounting bracket using a 1/4" x 1" hex bolt, two nylon washers and a 1/4" nylock nut as shown in figure 7. **Tighten carefully.** The flow control arm should be snug, but should pivot with no more than a slight resistance.
16. Assemble the vinyl grip. See figure 7.

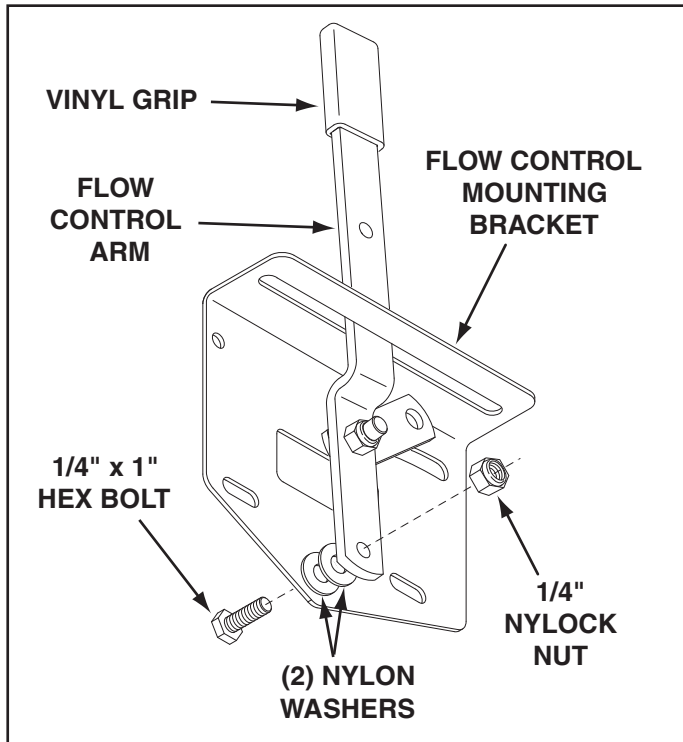


FIGURE 7

17. Place the small washer onto the end of the flow control rod. Insert the end of the flow control rod through the slot in the flow control mounting bracket and through the hole in the flow control link. Secure with a 3/32" x 3/4" cotter pin. See figure 8.

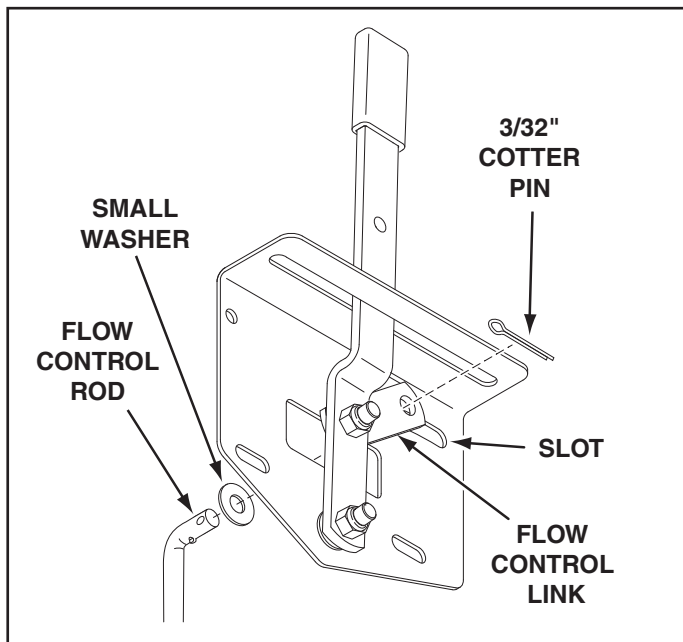


FIGURE 8

18. Hook the free end of the flow control rod through the hole in the slide gate bracket located near the bottom of the hopper. See figure 9.

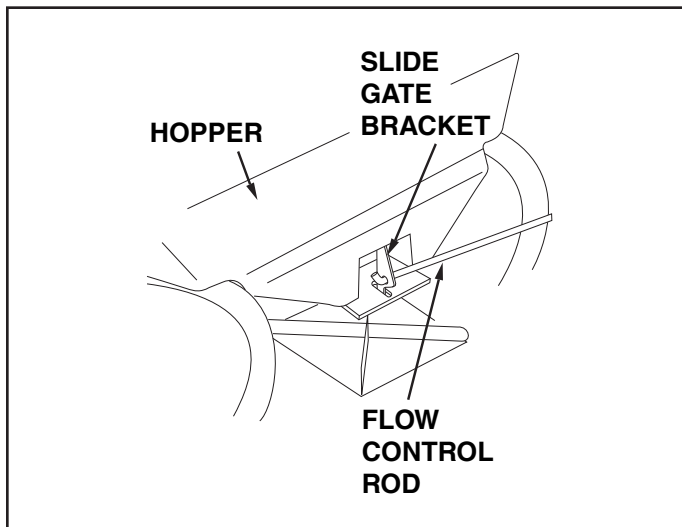


FIGURE 9

19. Assemble both the flow control mounting bracket and the short handle tube to the long handle tube. Use two 1/4" x 1-3/4" hex bolts, four 1/4" washers and two 1/4" nylock nuts as shown in figure 11. **Do not tighten at this time.**

20. Place a handle grip on each handle. See figure 10.

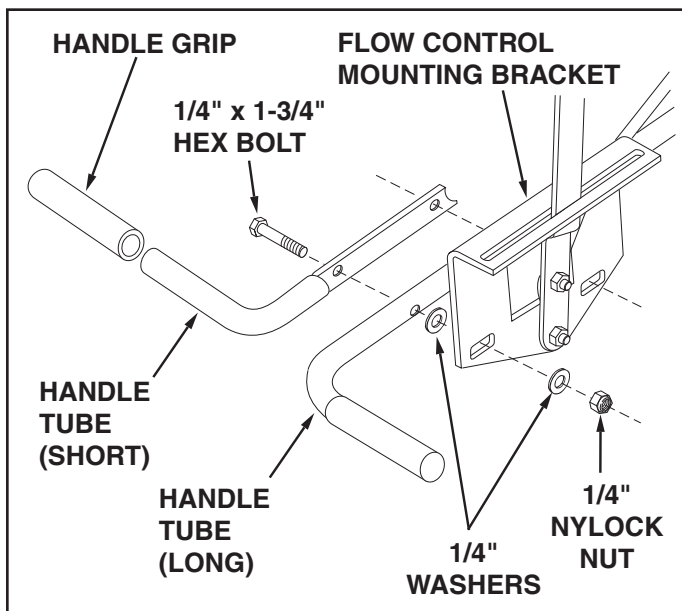


FIGURE 10

21. Place the adjustable stop into the "ON" end of the slot in the top of the flow control mounting bracket. Secure with the 1/4" x 3/4" carriage bolt, a nylon washer, a 1/4" washer and the nylon wing nut. See figure 11.

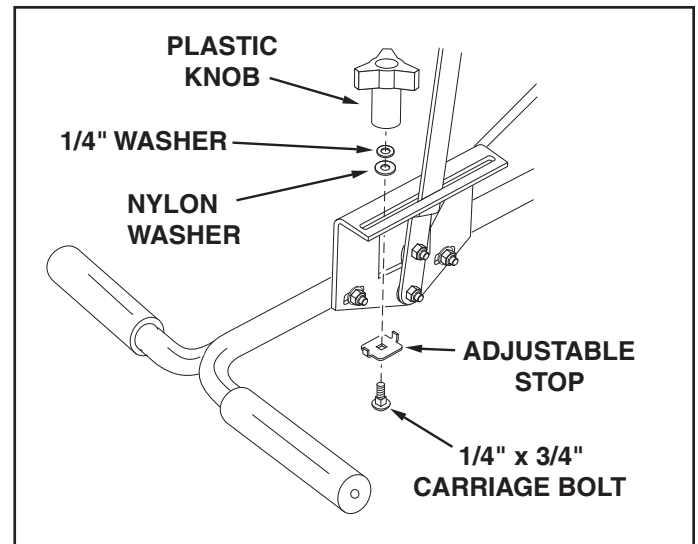


FIGURE 11

22. Attach an angle stop bracket and a swivel bracket to the rear hole in the R.H. shield bracket using a 1/4" x 1" hex bolt, two 1/4" washers, a nylon washer and a 1/4" Nylock nut. Place the angle stop bracket on the inside and the swivel bracket on the outside. **Tighten** the locknut so that the swivel bracket can pivot freely. See figure 12. Repeat step on L.H. shield bracket.

23. Attach a swivel bracket to the front hole in the R.H. shield bracket using a 1/4" x 1" hex bolt, two 1/4" washers, a nylon washer and a 1/4" Nylock nut. **Tighten** the nut so that the swivel bracket can pivot freely. See figure 12. Repeat step on L.H. shield bracket.

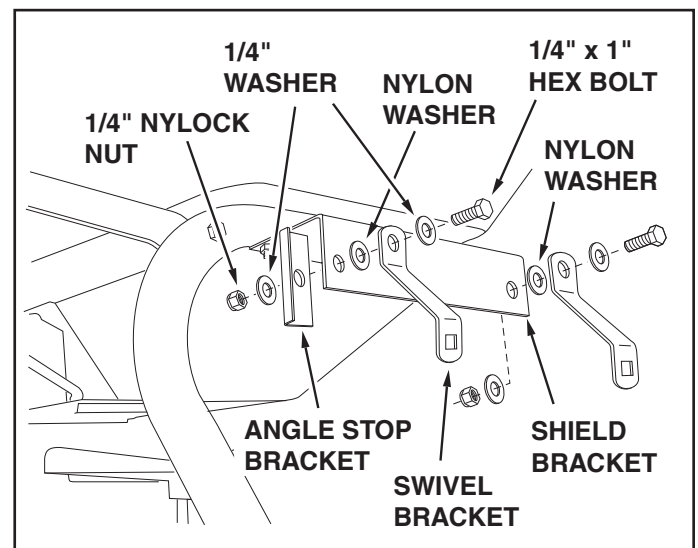


FIGURE 12

24. Assemble the spreader shield to the front swivel brackets using two 1/4" x 3/4" carriage bolts, 1/4" washers and the two 1/4" plastic knobs. See figure 13.
25. Assemble the spreader shield to the rear swivel brackets using two 1/4" x 1" hex bolts, four 1/4" washers and two 1/4" Nylock nuts. **Tighten** the nuts so that the swivel bracket can still pivot freely. See figure 13.

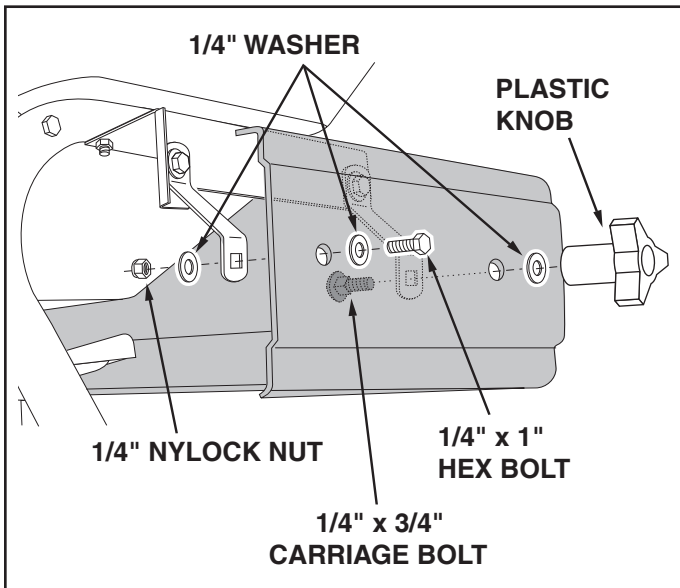


FIGURE 13

26. Place the hopper screen down into the hopper to help break up clumpy material and to prevent large clumps from reaching the bottom of the hopper and clogging the opening. See figure 14.

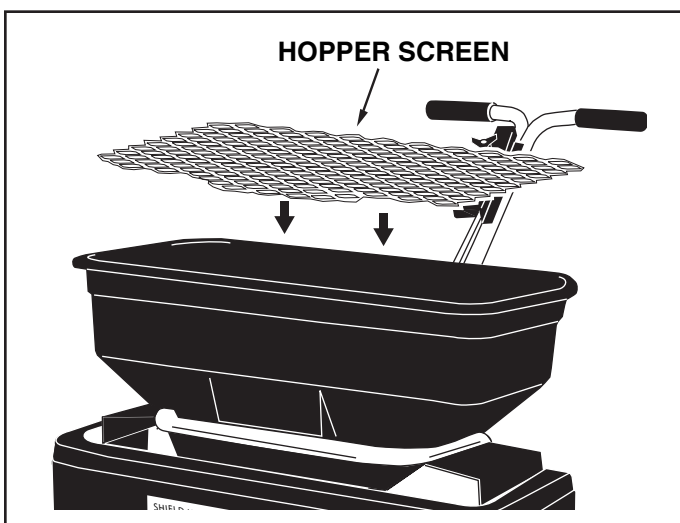


FIGURE 14

27. Lubricate the spreader following the instructions in the maintenance section on page 9.

28. Position the flow control mounting bracket (figure 15).
 - a. Push on flow control arm until it locks in "OFF" position.
 - b. Slide flow control mounting bracket along tube until closure plate in bottom of hopper just closes.
 - c. Snug the 1/4" lock nuts just enough to hold flow control mounting bracket in place.
 - d. Set adjustable stop at "5". Pull flow control arm against stop. Verify that closure plate has opened about half way.
 - e. If closure plate does not open half way, it may be closed too far at "OFF". Adjust position of flow control mounting bracket until closure plate will open about half way at "5" and still close when arm is locked in "OFF". **Tighten** 1/4" lock nuts.

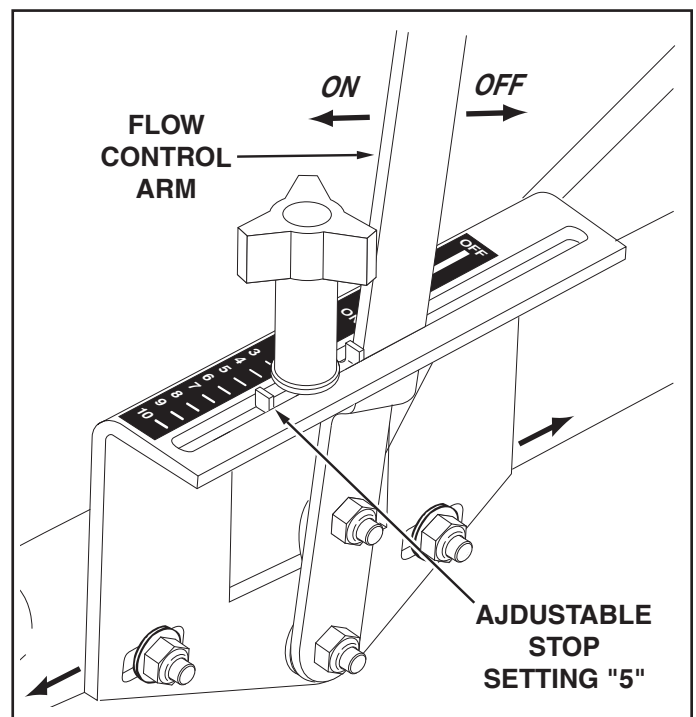


FIGURE 15

29. Before operating the spreader, pre-lubricate per the lubrication instructions in the owner's manual.

OPERATION

HOW TO USE YOUR SPREADER

SETTING THE FLOW CONTROL

(Refer to figure 15 on page 7.)

1. Loosen the nylon wing nut, set the adjustable stop to the desired flow rate setting and retighten the wing nut. The higher the setting number, the wider the opening in the bottom of the hopper.
2. Refer to the application chart on page 8 and to the instructions on the fertilizer bag to select the proper flow rate setting.
3. Pull the flow control arm against the adjustable stop for the on position and toward the hopper for the off position.

USING YOUR SPREADER

We do not recommend the use of any powdered lawn chemicals, due to difficulty in obtaining a satisfactory or consistent broadcast pattern.

1. Determine approximate square footage of area to be covered and estimate amount of material required.
2. Before filling the hopper make sure the flow control arm is in the off position and the closure plate is shut.
3. Break up any lumpy fertilizer as you fill the hopper.
4. Set the adjustable stop with the flow control arm still in the off position. Refer to the application chart on this page and to the instructions on the fertilizer bag to select the proper flow rate setting.
5. The application chart is calculated for light to heavy application at a walking speed of 3 mph, or 100 ft. in 23 seconds. A variation in speed will require an adjustment of the flow rate to maintain the same coverage. The faster you walk, the wider the broadcast width.
6. Always start the spreader in motion before opening the closure plate.
7. Always shut the closure plate before turning or stopping the spreader.
8. If fertilizer is accidentally deposited too heavily in a small area, soak the area thoroughly with a garden hose or sprinkler to prevent burning of the lawn.
9. To insure uniform coverage, make each pass so that the broadcast pattern slightly overlaps the pattern from the previous pass as shown in figure 16. The approximate broadcast widths for different materials are shown in the application chart on this page.
10. When broadcasting weed control fertilizers, make sure the broadcast pattern does not hit evergreen trees, flowers or shrubs.
11. Heavy moisture conditions may require a cover over the hopper to keep contents dry. The vinyl cover (available as an accessory) acts as a wind and moisture shield, but should not be used as a rain cover. Refer to the parts list on page 11.

APPLICATION DIAGRAM

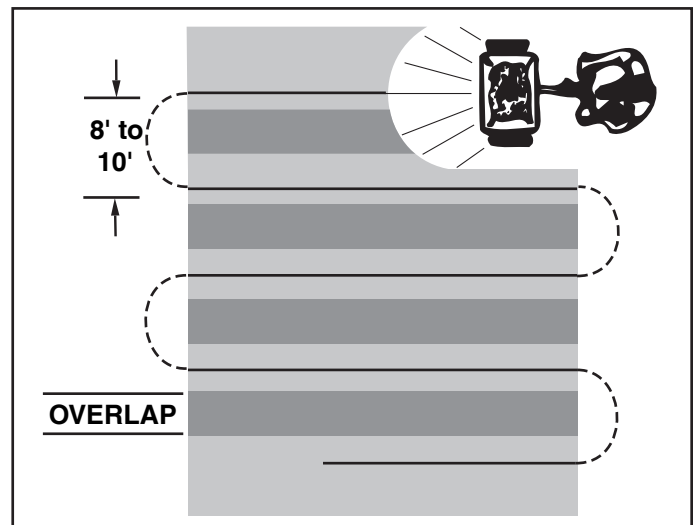


FIGURE 16

IMPORTANT: Application rates shown in the chart are affected by humidity and by the moisture content of the material (granular and pellet). Some minor setting adjustments may be necessary to compensate for this condition.

APPLICATION CHART

MATERIAL TYPE	FLOW SETTING	SPREAD WIDTH
<i>FERTILIZER</i>		
Powder	3 - 5	3' - 4'
Granular	3 - 5	8' - 10'
Pelleted	3 - 5	10' - 12'
Organic	6 - 8	6' - 8'
<i>GRASS SEED</i>		
Fine	3 - 4	6' - 7'
Coarse	4 - 5	8' - 9'
<i>ICE MELTER</i>	6 - 8	10' - 12'

OPERATING SPEED - 3 MPH. (100 ft. in 23 seconds)

MAINTENANCE

CHECK FOR LOOSE FASTENERS

1. Before each use make a thorough visual check of the spreader for any bolts and nuts which may have loosened. Retighten any loose bolts and nuts.

CHECK FOR WORN OR DAMAGED PARTS

2. Check for worn or damaged parts before each use. Repair or replace parts if necessary.

CHECK TIRE INFLATION

3. Check if tires are adequately inflated before each use. Do not inflate tires beyond maximum recommended pressure.



CAUTION: DO NOT inflate tires beyond the maximum recommended pressure printed on side of tire.

CLEANING

4. Rinse inside of hopper and exterior of spreader and dry off before storing.

LUBRICATE (See figure 17)

5. Lightly apply automotive grease as needed to the sprocket and gear.
6. Oil the nylon bushings on the vertical sprocket shaft and on the axle at least once a year, or more often as needed.
7. Oil right hand (idler) wheel at least once a year or more often as needed.

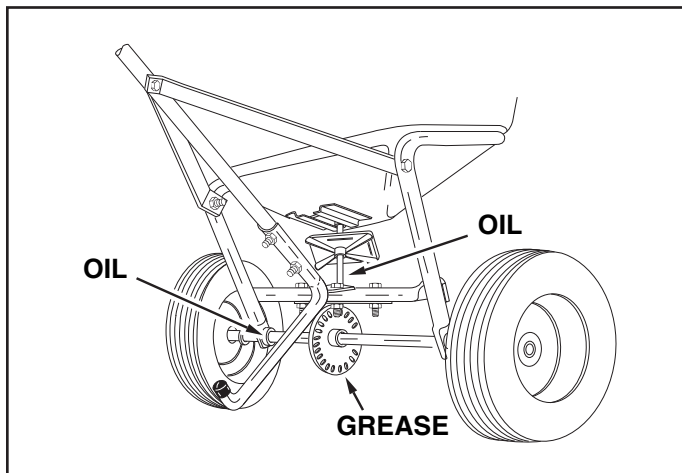


FIGURE 17

STORAGE

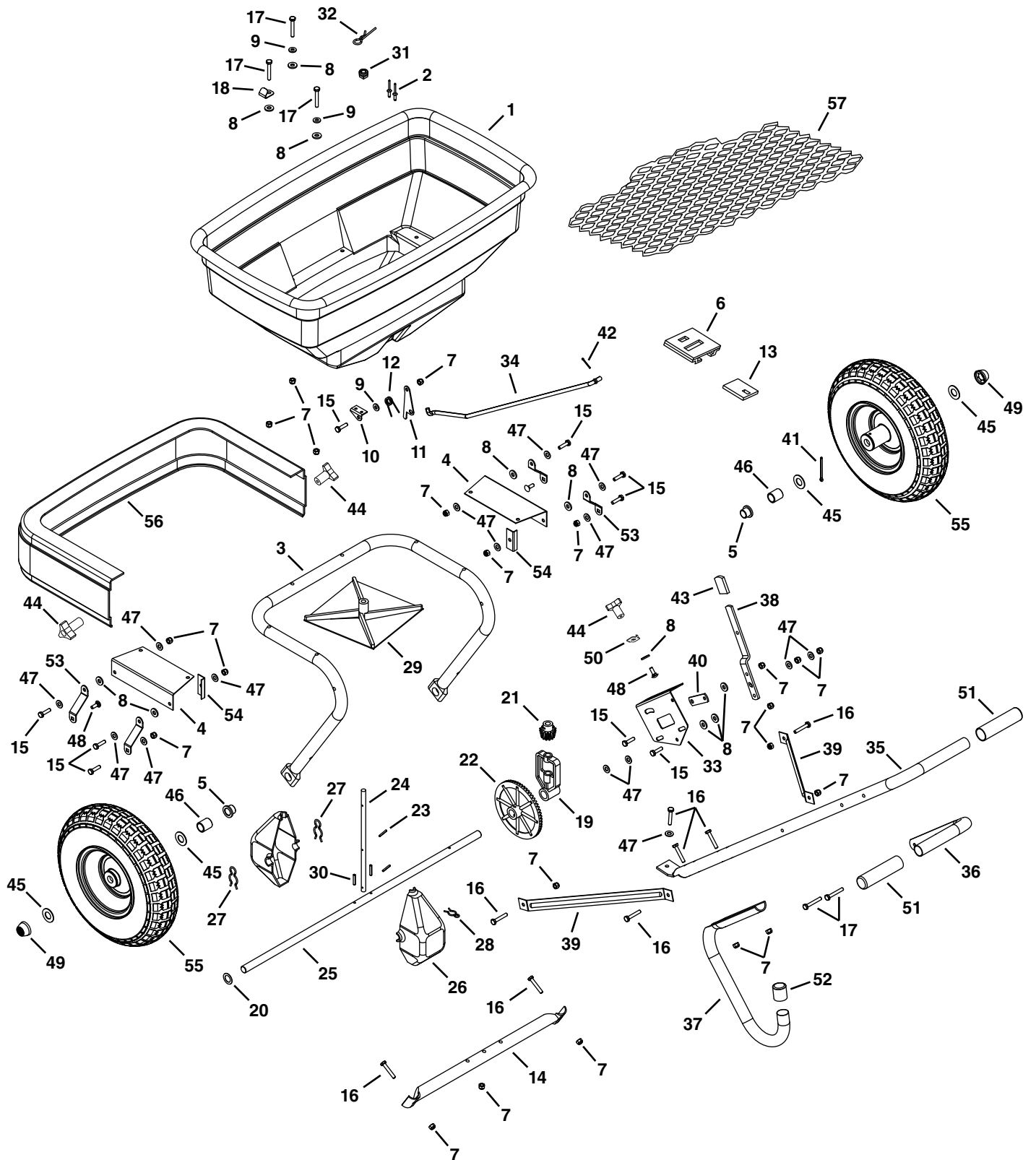
1. Rinse inside of hopper and exterior of spreader and dry off before storing.
2. Store in a clean, dry area.

SERVICE AND ADJUSTMENTS

REPLACING SLOTTED GEAR

1. If the axle, slotted gear and sprocket assembly is disassembled, mark down the positions of the parts as they are removed. The drive wheel and sprocket positions in relation to the slotted gear determine which direction the spreader plate will spin. Be sure to reassemble them in their original positions. (Refer to figure 3 on page 4.) Use shim washers (Ref. no. 21 on pages 10 and 11) as needed for minimum backlash. Add grease to gear and sprocket.

REPAIR PARTS FOR BROADCAST SPREADER MODEL 38210



REPAIR PARTS LIST FOR BROADCAST SPREADER MODEL 38210

REF. NO.	PART NO.	QTY.	DESCRIPTION	REF. NO.	PART NO.	QTY.	DESCRIPTION
1	AF41920	1	Spreader Hopper	30	AF46055	2	Spring Pin, 1/8 x 1"
2	AFC-9M5732	2	Pop Rivet, 3/16"	31	AF44285	1	Delrin Bushing, 3/8"
3	AF48842	1	Frame Tube	32	AF48934	1	Agitator Hairpin
4	AF24125	2	Shield Bracket	33	AF24855	1	Flow Control Mount Bracket
5	AF741-0249	2	Flanged Bearing	34	AF44514	1	Flow Control Rod
6	AF62482	1	Guide Closure Assembly	35	AF44590	1	Long Handle Tube
7	20303	25	Nylock Nut, 1/4"	36	AF44589	1	Short Handle Tube
8	AF1543-69	14	Nylon Washer	37	AF44587	1	Leg Stand Tube
9	20351	5	Washer, .312 x .734 x .065"	38	AF24856	1	Flow Control Arm
10	AF23753	1	Slide Gate Angle Bracket	39	AF23525	2	Hitch Brace
11	AF23758	1	Slide Gate Bracket	40	AF24857	1	Flow Control Link
12	AF44566	1	Torsion Spring	41	AF47063	1	Cotter Pin, 5/32 x 2"
13	AF23533	1	Closure Plate	42	AF44101	1	Cotter Pin, 3/32 x 3/4"
14	AF48841	1	Crossover Tube	43	AF43848	1	Control Arm Grip
15	20005	9	Hex Bolt, 1/4-20 x 1"	44	AF43849	3	Plastic Knob
16	20007	8	Hex Bolt, 1/4-20 x 1-1/2"	45	20357	4	Washer, .656 x 1.25 x .059"
17	AF1509-69	8	Hex Bolt, 1/4-20 x 1-3/4"	46	AF48857	2	Spacer, 64 x .84 x 1"
18	AF25672	2	Clip	47	AFR19111116	15	Washer, .343 x .687 x .67"
19	AF47204	1	Large Yoke	48	AF44950	3	Carriage Bolt, 1/4-20 x 3/4"
20	AF44125	1	Washer, .625 x 1 x .03"	49	AF48499B	2	Hub Cap
21	AF47205	1	Small Gear	50	AF24858	1	Adjustable Stop
22	AF47209	1	Large Gear	51	AF44482	2	Handle Grip
23	AF43659	2	Spring Pin, 3/16 x 1"	52	AF44481	1	Vinyl Cap
24	AF49896	1	Impeller Shaft	53	AF23998	4	Shield Swivel Bracket
25	AF27245	1	Axle Spreader Shaft	54	AF23999	2	Angle Stop Bracket
26	AF47212	2	Large Gear Housing	55	AF40880	2	Wheel
27	AF49897	2	Hairpin Clip, 7/8"	56	AF46119	1	Spreader Shield
28	AF49898	1	Hairpin Clip, 5/8"	57	AF47441	1	Spreader Screen
29	AF04367	1	Spreader Impeller	58	AF40825	1	Hopper Cover (not shown)

WARRANTY

Meyer Products LLC warrants to Purchaser the following:

Meyer Products LLC, warrants to the original purchaser for a period of one year from the date of purchase of Meyer® brand spreader products that they will be free from defects in materials or workmanship, with the exceptions stated below. No person is authorized to change this warranty or to create any additional warranty on Meyer® products.

Meyer Products LLC will repair any product that proves to be defective in materials or workmanship. In the event repair is not possible or practical (as determined by Meyer Products LLC in its sole discretion), Meyer Products LLC will either replace the product with a new product of similar model and price, or refund the full purchase price, as determined by Meyer Products LLC. Customer must keep the complete spreader system serviced/maintained as recommended by Meyer Products LLC.

This warranty does not cover:

- Problems caused by failure to follow the product instructions, or failure to maintain the product as described in the Operator's Manual;
- Damage resulting from rust, corrosion
- Damage caused by usage that is not in accordance with product instructions (use of the spreader for any purpose other than spreading approved material is considered misuse and abuse);
- Any spreader, or any part, component, or assembly thereof, which has been modified or altered;
- Problems caused by using accessories, parts, or components not supplied by Meyer Products LLC;
- Cost of tax, freight, transportation or storage charges, environmental charges, solvents, sealants, lubricants or any other normal shop supplies.
- Problems caused by collision, fire, theft, vandalism, riot, explosion, lightning, earthquake, windstorm, hail, water, flood, or any other Acts of God;
- Liability for damage to property, or injury to, or death of any person arising out of the operation, maintenance or use of the covered product;
- Products with missing or altered serial numbers;

How To Get Service:

- It is the responsibility of the original purchaser to establish the warranty period by verifying the original delivery date. A bill of sale, cancelled check or some other appropriate payment record may be kept for that purpose. It is recommended, but not required, that the consumer verify the original delivery date by immediately returning the attached Warranty Registration Card.

How State Law Applies:

This warranty gives you specific legal rights, and you may also have other rights which vary from state to state.

Meyer Products LLC
18513 Euclid Ave. • Cleveland, Ohio 44112-1084
Phone 486-1313 (Area Code 216)
www.meyerproducts.com • email info@meyerproducts.com