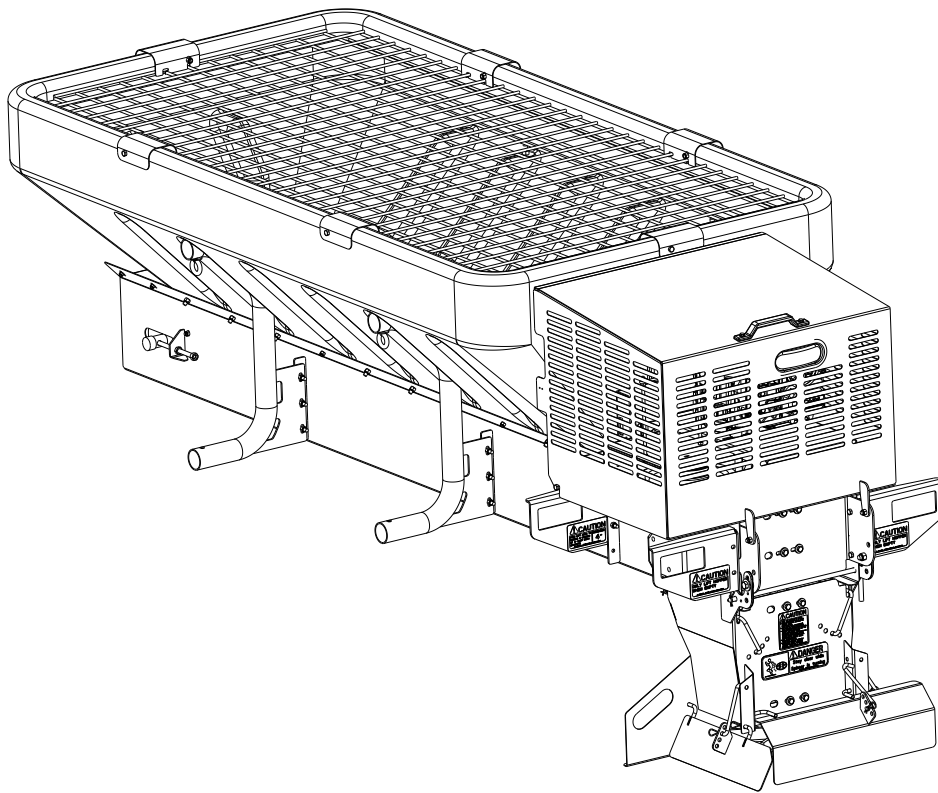


ILLUSTRATED PARTS LISTING
EUROPEAN CE POLYHAWK SPREADERS

Models: 63898CE, 63899CE, 63901CE, 64505CE



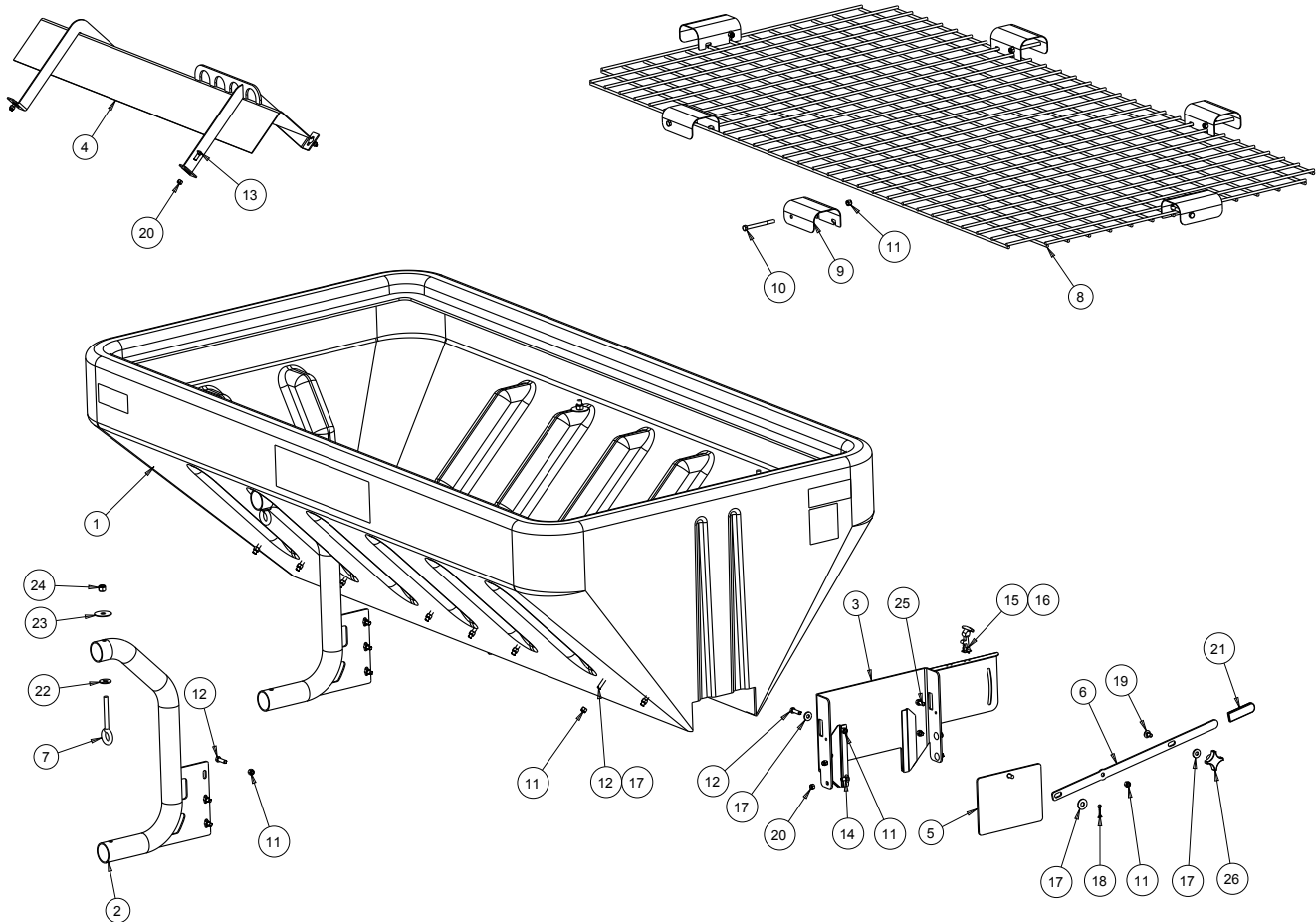
Meyer Products LLC reserves the right, under its continuing product improvement program, to change construction or design detail, specifications and prices without notice or without incurring any obligation.

Meyer Products LLC
18513 Euclid Ave • Cleveland, Ohio 44112
Phone 216-486-1313 • Fax 216-486-9775
www.meyerproducts.com • Email: sales@meyerproducts.com



ILLUSTRATED PARTS LISTING EUROPEAN CE POLYHAWK SPREADERS

HOPPER ASSEMBLY



Meyer Products LLC reserves the right, under its continuing product improvement program, to change construction or design detail, specifications and prices without notice or without incurring any obligation.

Meyer Products LLC
18513 Euclid Ave • Cleveland, Ohio 44112
Phone 216-486-1313 • Fax 216-486-9775
www.meyerproducts.com • Email: sales@meyerproducts.com



ILLUSTRATED PARTS LISTING
EUROPEAN CE POLYHAWK SPREADERS

HOPPER ASSEMBLY

Item	Part Number	Description	Qty
1	63162	Hopper, Poly 8' Meyer Yellow	1
2	63182	Weld, Body Jack	4
3	64060	Weld, Feedgate Module S2	1
4	63184	Weld, Inverted Vee Cs	1
5	63822	Weld, Feedgate 7g S2	1
6	63185	Bar, Feedgate Handle 7g S2	1
7	62807	Bolt, 1/2 Eye	4
8	66059	Screen 8 Ft	1
9	66060	Bracket, Saddle	6
10	66061	Bolt, 3/8" X 4-1/2" HH SS	6
11	63348	Locknut, 3/8-16 NI Ss	33
12	62695	Bolt, 3/8-16 X 1-1/4 Hh Ss	31
13	63175	Bolt, 5/16-18 X 1 Ca Ss	4
14	62640	Bolt, 5/16-18 X 3/4 Ca Ss	4
15	63141	Handle, Rubber "t"	1
16	63157	Rivet, 1/8 X 3/8 Blind Al Rdhd	2
17	22230	Flatwasher, 3/8" U.s.s. Ss	19
18	62691	Pin, 1/8" X 1" Cotter Ss	1
19	63417	Bolt, 3/8-16 X 3/4 Ca Shtnk	1
20	63301	Locknut, 5/16-18 NI Ss	2
21	64164	Cover, Feedgate Handle	1
22	20355	Flatwasher, 1/2" U.s.s. Zp	4
23	63183	Flatwasher, 1/2" Zp Spl.	4
24	20307	Locknut, 1/2-13 NI Zp Toplock	4
25	64070	Bolt, 3/8-16 X 1-3/4 Hh Ss	1
26	61169	Knob, Hand	1
ZP= Zinc Plated CS = Mild Carbon Steel SS= Stainless Steel A/R= As Required			

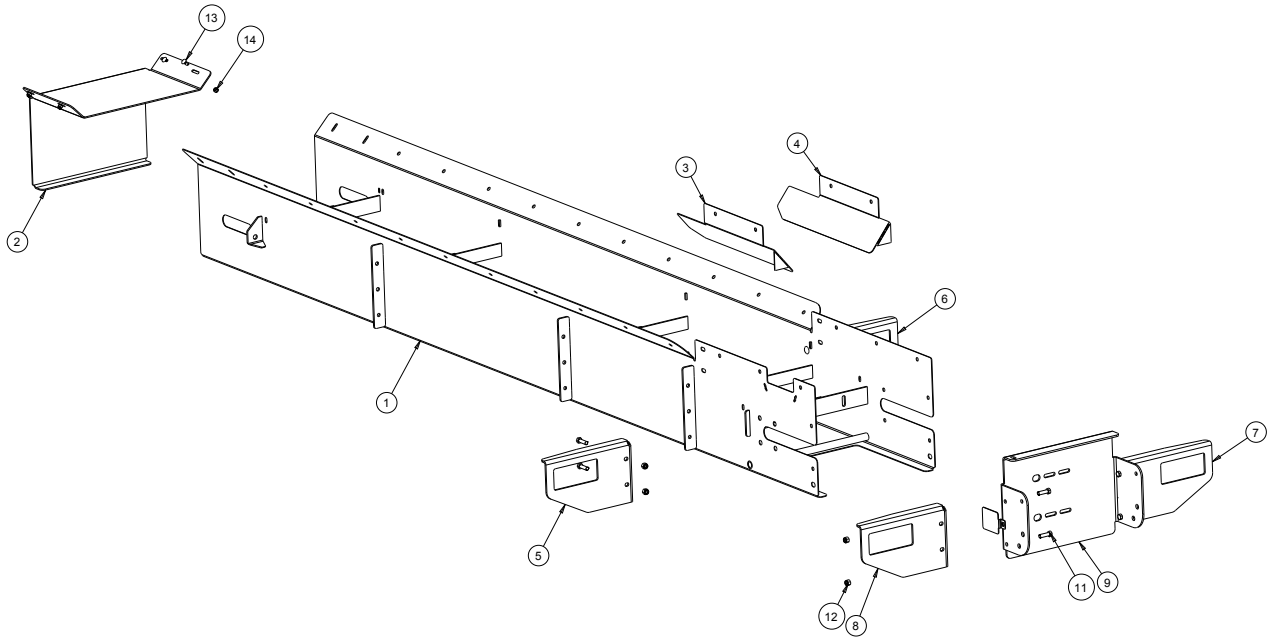
Meyer Products LLC reserves the right, under its continuing product improvement program, to change construction or design detail, specifications and prices without notice or without incurring any obligation.

Meyer Products LLC
 18513 Euclid Ave • Cleveland, Ohio 44112
 Phone 216-486-1313 • Fax 216-486-9775
 www.meyerproducts.com • Email: sales@meyerproducts.com



ILLUSTRATED PARTS LISTING
EUROPEAN CE POLYHAWK SPREADERS

TROUGH ASSEMBLY



Meyer Products LLC reserves the right, under its continuing product improvement program, to change construction or design detail, specifications and prices without notice or without incurring any obligation.

Meyer Products LLC
18513 Euclid Ave • Cleveland, Ohio 44112
Phone 216-486-1313 • Fax 216-486-9775
www.meyerproducts.com • Email: sales@meyerproducts.com



ILLUSTRATED PARTS LISTING
EUROPEAN CE POLYHAWK SPREADERS

TROUGH ASSEMBLY

Item	Part Number	Description	Qty
1	64058	Weld, Trough Polyhawk S2	1
2	64061	Cover, Front Conveyor	1
3	66056	Form, Chain Shield Lh 14gs2 Ce	1
4	66057	Form, Chain Shield Rh 14gs2 Ce	1
5	63840	Plate, Brkt Fork Rear Lh 7g Cs	1
6	63842	Plate, Brkt Fork Rear Rh 7g Cs	1
7	63842	Plate, Brkt Fork Rear Rh 7g Cs	1
8	63840	Plate, Brkt Fork Rear Lh 7g Cs	1
9	66058	Weld, Rear Plt W/ Guard S2	1
10	62695	Bolt, 3/8-16 X 1-1/4 Hh Ss	8
11	63348	Locknut, 3/8-16 NI Ss	8
12	62640	Bolt, 5/16-18 X 3/4 Ca Ss	8
13	63301	Locknut, 5/16-18 NI Ss	8
N/S	63847	Decal, Caution Unloaded	2
N/S	63848	Decal, Caution 4" Min	2
ZP= Zinc Plated CS = Mild Carbon Steel SS= Stainless Steel A/R= As Required			

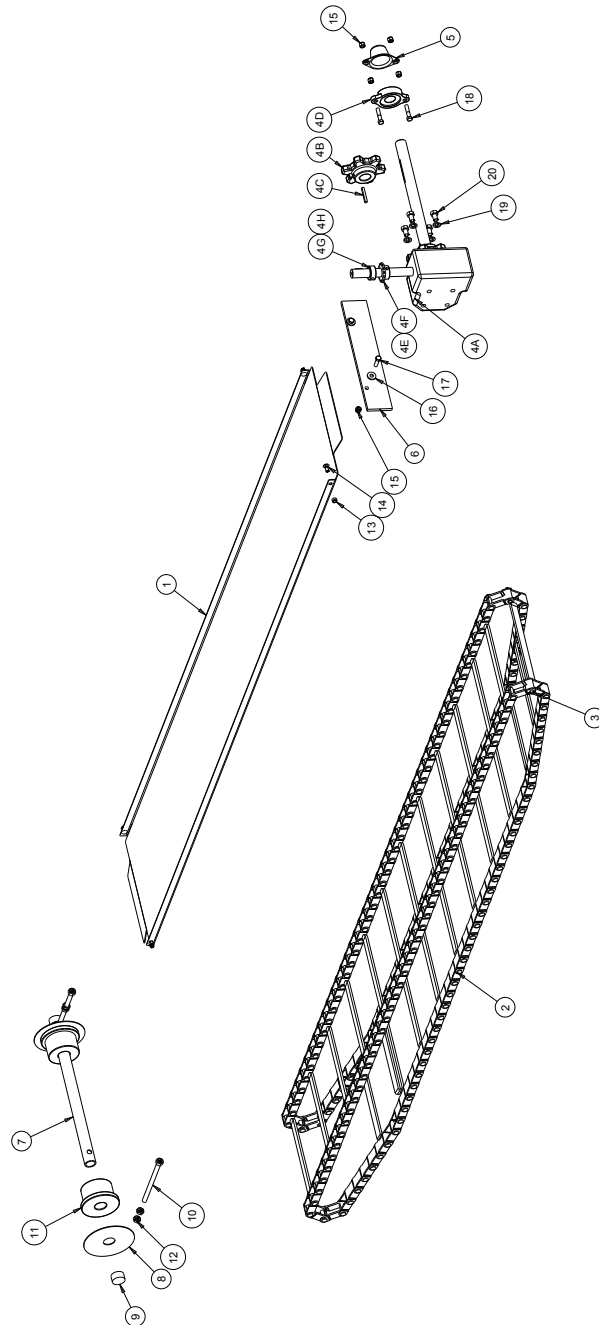
Meyer Products LLC reserves the right, under its continuing product improvement program, to change construction or design detail, specifications and prices without notice or without incurring any obligation.

Meyer Products LLC
 18513 Euclid Ave • Cleveland, Ohio 44112
 Phone 216-486-1313 • Fax 216-486-9775
 www.meyerproducts.com • Email: sales@meyerproducts.com



ILLUSTRATED PARTS LISTING EUROPEAN CE POLYHAWK SPREADERS

CONVEYOR ASSEMBLY



Meyer Products LLC reserves the right, under its continuing product improvement program, to change construction or design detail, specifications and prices without notice or without incurring any obligation.

Meyer Products LLC
18513 Euclid Ave • Cleveland, Ohio 44112
Phone 216-486-1313 • Fax 216-486-9775
www.meyerproducts.com • Email: sales@meyerproducts.com



ILLUSTRATED PARTS LISTING
EUROPEAN CE POLYHAWK SPREADERS

CONVEYOR ASSEMBLY

Item	Part Number	Description	Qty
1	64059	Form, Conveyor Floor 14g S2	1
2	63181	Weld, Drag Chain	1
3	61174	Pin, Master w/ Cotter	2
4	63177	Gearbox	1
4A	62023	Plug, Breather	1
4B	61175	Sprocket, W/ Set Screw	2
4C	62000	Key, 1/4" X 2"	2
4D	61163	Bearing	1
4E	63685	Sprocket, #40B-13	1
4F	61201	Key, Woodruff	1
4G	61202	Ring, Snap	1
4H	62769	Collar, Set	1
5	64385	Cover, Bearing	1
6	62354	Wiper, Chain	1
7	64062	Shaft, Idler	1
8	64631	Cover Washer, Idler S2	2
9	64064	Cap, Idler	2
10	62304	Weld, Take Up Bolt	2
11	64063	Roller, Poly	2
12	62336	Nut, 1/2-13 Hj Ss	4
13	63301	Locknut, 5/16-18 NI Ss	4
14	62640	Bolt, 5/16-18 X 3/4 Ca Ss	4
15	63348	Locknut, 3/8-16 NI Ss	6
16	22230	Flatwasher, 3/8" U.s.s. Ss	2
17	62695	Bolt, 3/8-16 X 1-1/4 Hh Ss	2
18	64035	Bolt, 3/8 x 1-1/2" HH SS	2
19	62770	Lockwasher, 1/2" med Split Ss	4
20	62750	Bolt, 1/2-13 X 3/4 Tap Hh Ss	4
ZP= Zinc Plated CS = Mild Carbon Steel SS= Stainless Steel A/R= As Required			

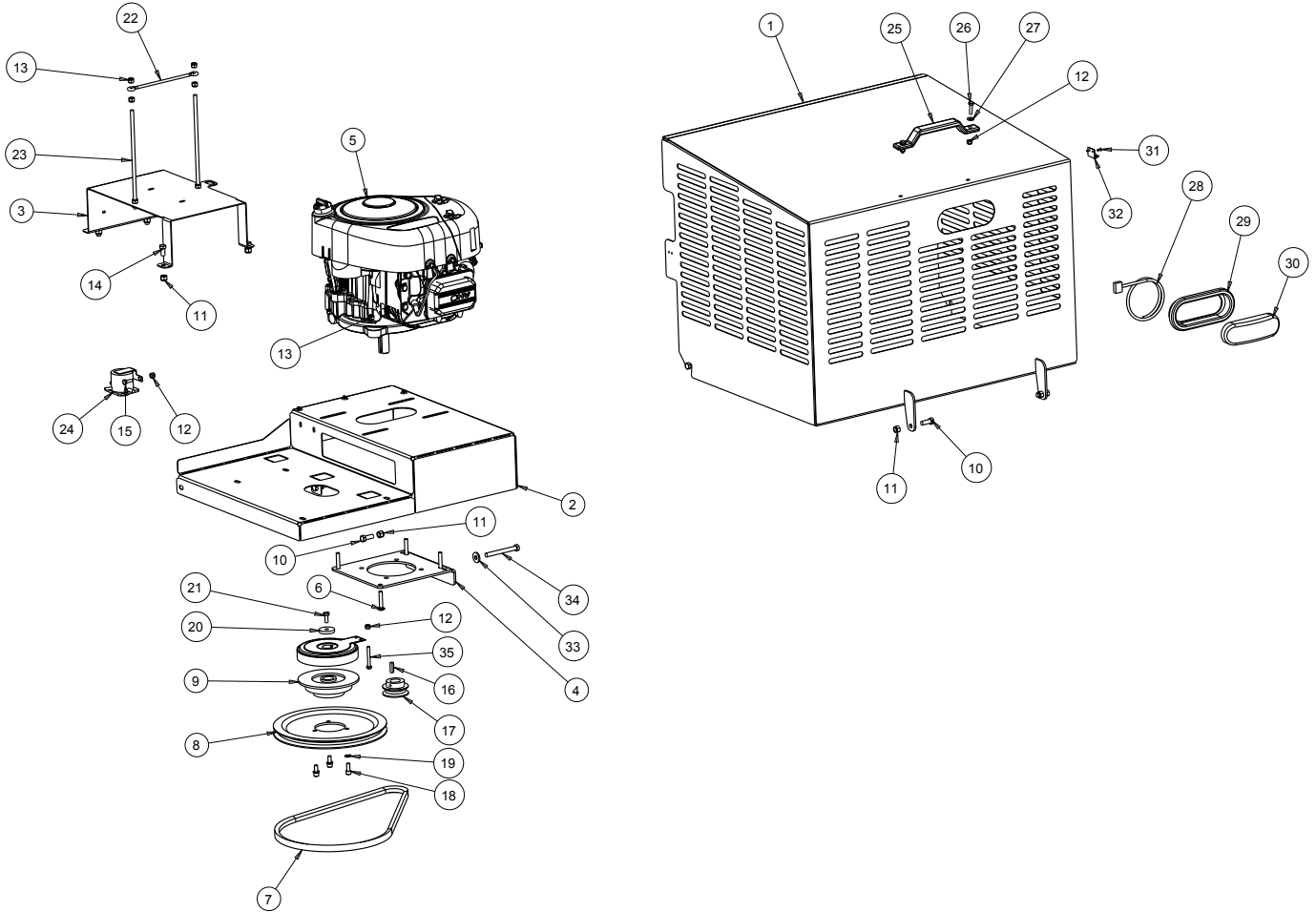
Meyer Products LLC reserves the right, under its continuing product improvement program, to change construction or design detail, specifications and prices without notice or without incurring any obligation.

Meyer Products LLC
 18513 Euclid Ave • Cleveland, Ohio 44112
 Phone 216-486-1313 • Fax 216-486-9775
 www.meyerproducts.com • Email: sales@meyerproducts.com



ILLUSTRATED PARTS LISTING EUROPEAN CE POLYHAWK SPREADERS

GAS ENGINE DRIVE ASSEMBLY



Meyer Products LLC reserves the right, under its continuing product improvement program, to change construction or design detail, specifications and prices without notice or without incurring any obligation.

Meyer Products LLC
18513 Euclid Ave • Cleveland, Ohio 44112
Phone 216-486-1313 • Fax 216-486-9775
www.meyerproducts.com • Email: sales@meyerproducts.com



ILLUSTRATED PARTS LISTING
EUROPEAN CE POLYHAWK SPREADERS

GAS ENGINE DRIVE ASSEMBLY

Item	Part Number	Description	Qty
1	64783	Weld, Shroud Est B & S	1
	64081	Weld, Shroud Est Honda	
2	64067	Weld, Engine Plate Est S2	1
3	64071	Form, Battery Plate S2	1
4	64068	Weld, Adapter S2	1
5	64066	Engine, 10.5hp B&S	1
	62361	Engine, 11 hp Honda	
6	64069	Bolt, 5/16-18 X 1-3/4 Ca Ss	4
7	62940	V-belt, Bx-46	1
8	61161	Pulley, Driven	1
9	61167	Clutch, Electric	1
10	62697	Bolt, 3/8-16 X 1 Hh Ss	6
11	63348	Locknut, 3/8-16 NI Ss	12
12	64079	Locknut, 1/4-20 Nylon Ss Sp	5
13	63301	Locknut, 5/16-18 NI Ss	11
14	63205	Bolt, 3/8-16 X 3/4 Hh Ss	4
15	62189	Bolt, 1/4-20 X 3/4 Hh Ss	2
16	61196	Key, 1/4" Sq X 1"	1
17	61177	Pulley, Driver	1
18	62634	Screw, 5/16-18 X 5/8 Sh Cap	3
19	20326	Lockwasher, 5/16" Med Split Zp	3
20	63103	Washer Flat Clutch Retainer	1
21	62763	Bolt, 5/16-18 X 3/4 Hh G5 Zp	1
22	62767	Down, Hold	1
23	61206	Rod, Battery	2
24	61179	Solenoid, Grounded	1
25	64077	Handle, Plastic Grab	1
26	62772	Bolt, 1/4-20 X 1 Hh Ss	2
27	63587	Flatwasher, 1/4" S.a.e. Ss	2
28	62364	Cable, Light Power	1
29	62715	Grommet, Mtg	1
30	62714	Lamp, Stop (ctr Hgh Mt)	1
31	64092	Keeper, Rubber T Handle	1
32	63157	Rivet, 1/8 X 3/8 Blind Al Rdhd	2
33	22230	Flatwasher, 3/8" U.s.s. Ss	1
34	63342	Bolt, 3/8-16 X 3-1/2 Hh Ss	1
35	64169	Bolt, 1/4-20 X 2" Hh Ss Tap	1

ZP= Zinc Plated CS = Mild Carbon Steel SS= Stainless Steel A/R= As Required

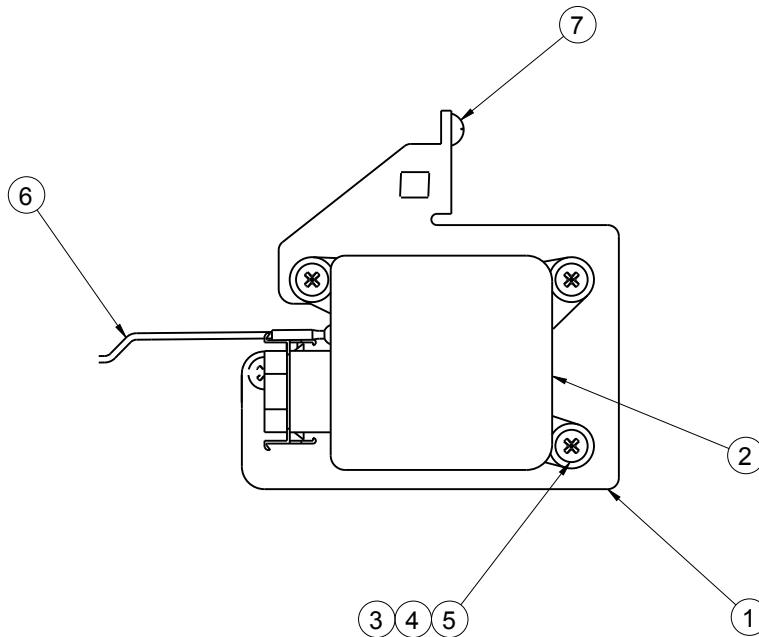
Meyer Products LLC reserves the right, under its continuing product improvement program, to change construction or design detail, specifications and prices without notice or without incurring any obligation.

Meyer Products LLC
 18513 Euclid Ave • Cleveland, Ohio 44112
 Phone 216-486-1313 • Fax 216-486-9775
 www.meyerproducts.com • Email: sales@meyerproducts.com



ILLUSTRATED PARTS LISTING
EUROPEAN CE POLYHAWK SPREADERS

B&S ACTUATOR ASSEMBLY



Item	Part Number	Description	Qty
1	62645	Bracket, Actuator B&s	1
2	63165	Actuator, 12v	1
3	62649	Screw, 8-32 X 3/4 Pr Ss	3
4	62651	Flatwasher, # 8, S.s.	3
5	62650	Locknut, 8-32 NI Ss	3
6	62648	Linkage, Throttle	1
7	62646	Screw, 10-32 x 5/16	2
ZP= Zinc Plated CS = Mild Carbon Steel SS= Stainless Steel A/R= As Required			

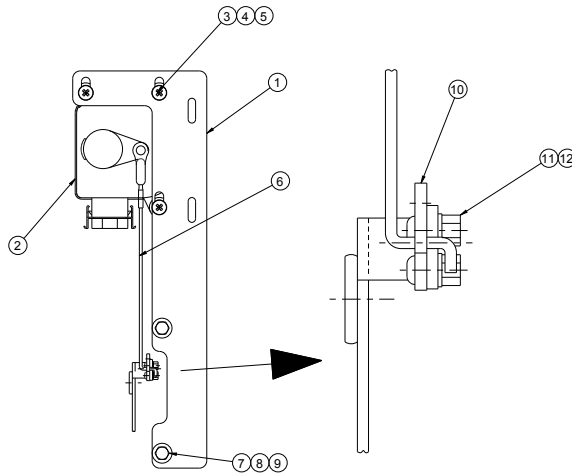
Meyer Products LLC reserves the right, under its continuing product improvement program, to change construction or design detail, specifications and prices without notice or without incurring any obligation.

Meyer Products LLC
 18513 Euclid Ave • Cleveland, Ohio 44112
 Phone 216-486-1313 • Fax 216-486-9775
 www.meyerproducts.com • Email: sales@meyerproducts.com



ILLUSTRATED PARTS LISTING
EUROPEAN CE POLYHAWK SPREADERS

HONDA ACTUATOR ASSEMBLY



Item	Part Number	Description	Qty
1	62718	Bracket, Actuator Mtg.bos/hond	1
2	63165	Actuator, 12v	1
3	62651	Flatwasher, # 8, S.s.	3
4	62650	Locknut, 8-32 NI Ss	3
5	62649	Screw, 8-32 X 3/4 Pr Ss	3
6	62720	Linkage, Bosch Actuator/honda	1
7	62799	Bolt, M5 x 12 HH SS	2
8	62801	Flatwasher, #10 SS	2
9	62800	Lockwasher, #10 SS	2
10	62719	Lever, Extension Honda Thrott	1
11	63122	Nut, 2-56 Nylon Locknut	2
12	63121	Screw, 2-56 X 3/8 Sr Ss	2
ZP= Zinc Plated CS = Mild Carbon Steel SS= Stainless Steel A/R= As Required			

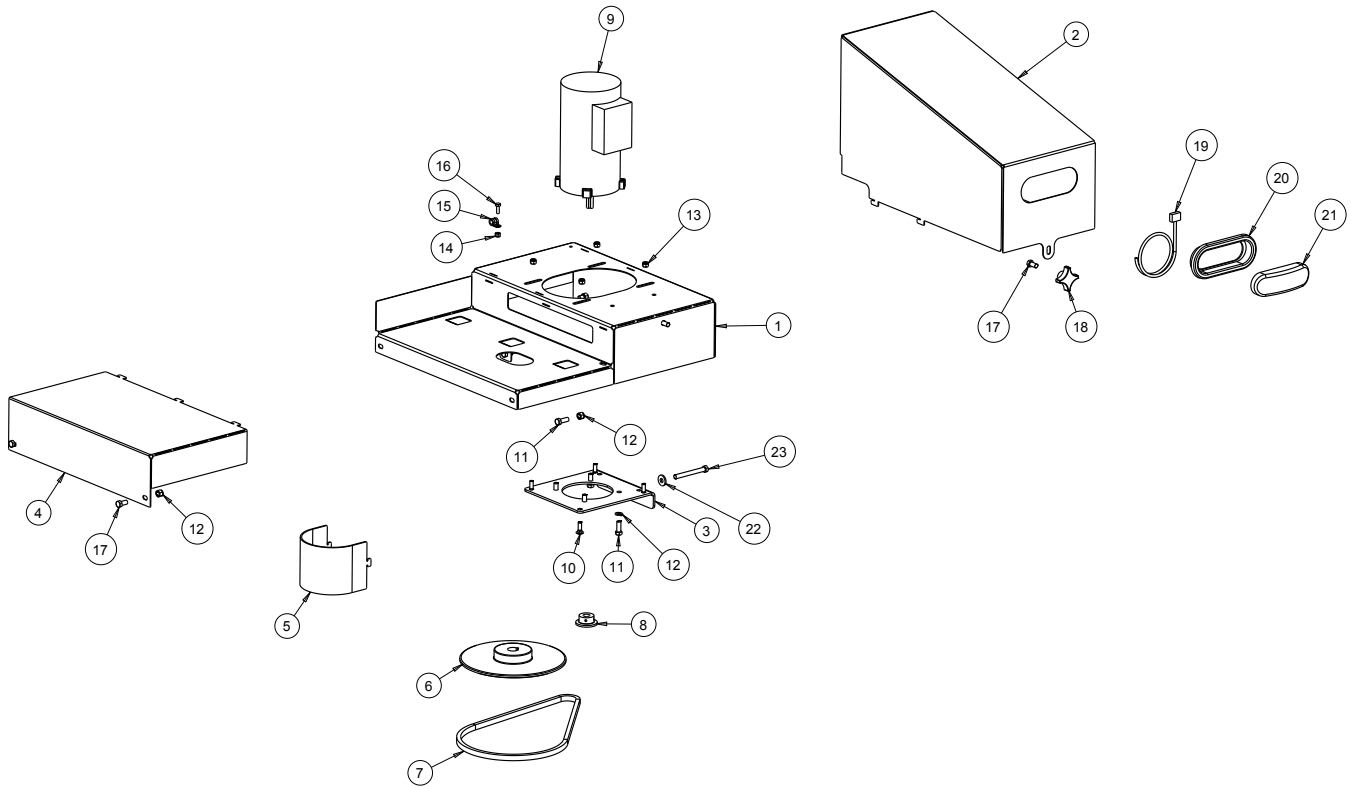
Meyer Products LLC reserves the right, under its continuing product improvement program, to change construction or design detail, specifications and prices without notice or without incurring any obligation.

Meyer Products LLC
 18513 Euclid Ave • Cleveland, Ohio 44112
 Phone 216-486-1313 • Fax 216-486-9775
 www.meyerproducts.com • Email: sales@meyerproducts.com



ILLUSTRATED PARTS LISTING
EUROPEAN CE POLYHAWK SPREADERS

DUAL MOTOR ELECTRIC DRIVE ASSEMBLY



Meyer Products LLC reserves the right, under its continuing product improvement program, to change construction or design detail, specifications and prices without notice or without incurring any obligation.

Meyer Products LLC
18513 Euclid Ave • Cleveland, Ohio 44112
Phone 216-486-1313 • Fax 216-486-9775
www.meyerproducts.com • Email: sales@meyerproducts.com



ILLUSTRATED PARTS LISTING
EUROPEAN CE POLYHAWK SPREADERS

DUAL MOTOR ELECTRIC DRIVE ASSEMBLY

Item	Part Number	Description	Qty
1	66054	Weld, Motor Plate 14g S2	1
2	66055	Weld, Motor Cover S2	1
3	64068	Weld, Adapter S2	1
4	66062	Weld, Sprocket Cover S2	1
5	64160	Guard, Chain	1
6	63333	Sprocket, 40b60-1" Bore	1
7	64456	Chain, Roller #40-86 Pitch W/c	1
8	64464	Sprocket, 40b-11 5/8" Bore	1
9	64015	Motor, 12v Auger	1
10	63175	Bolt, 5/16-18 X 1 Ca Ss	4
11	62697	Bolt, 3/8-16 X 1 Hh Ss	4
12	63206	Lockwasher, 3/8" Med Split Ss	4
13	63301	Locknut, 5/16-18 NI Ss	4
14	64079	Locknut, 1/4-20 Nylon Ss Sp	1
15	63245	Clamp, Cushioned - 3/8" 18-8	1
16	62189	Bolt, 1/4-20 X 3/4 Hh Ss	1
17	63205	Bolt, 3/8-16 X 3/4 Hh Ss	3
18	61169	Knob, Hand	2
19	62364	Cable, Light Power	1
20	62715	Grommet, Mtg	1
21	62714	Lamp, Stop (ctr Hgh Mt)	1
22	22230	Flatwasher, 3/8" U.s.s. Ss	1
23	63342	Bolt, 3/8-16 X 3-1/2 Hh Ss	1
ZP= Zinc Plated CS = Mild Carbon Steel SS= Stainless Steel A/R= As Required			

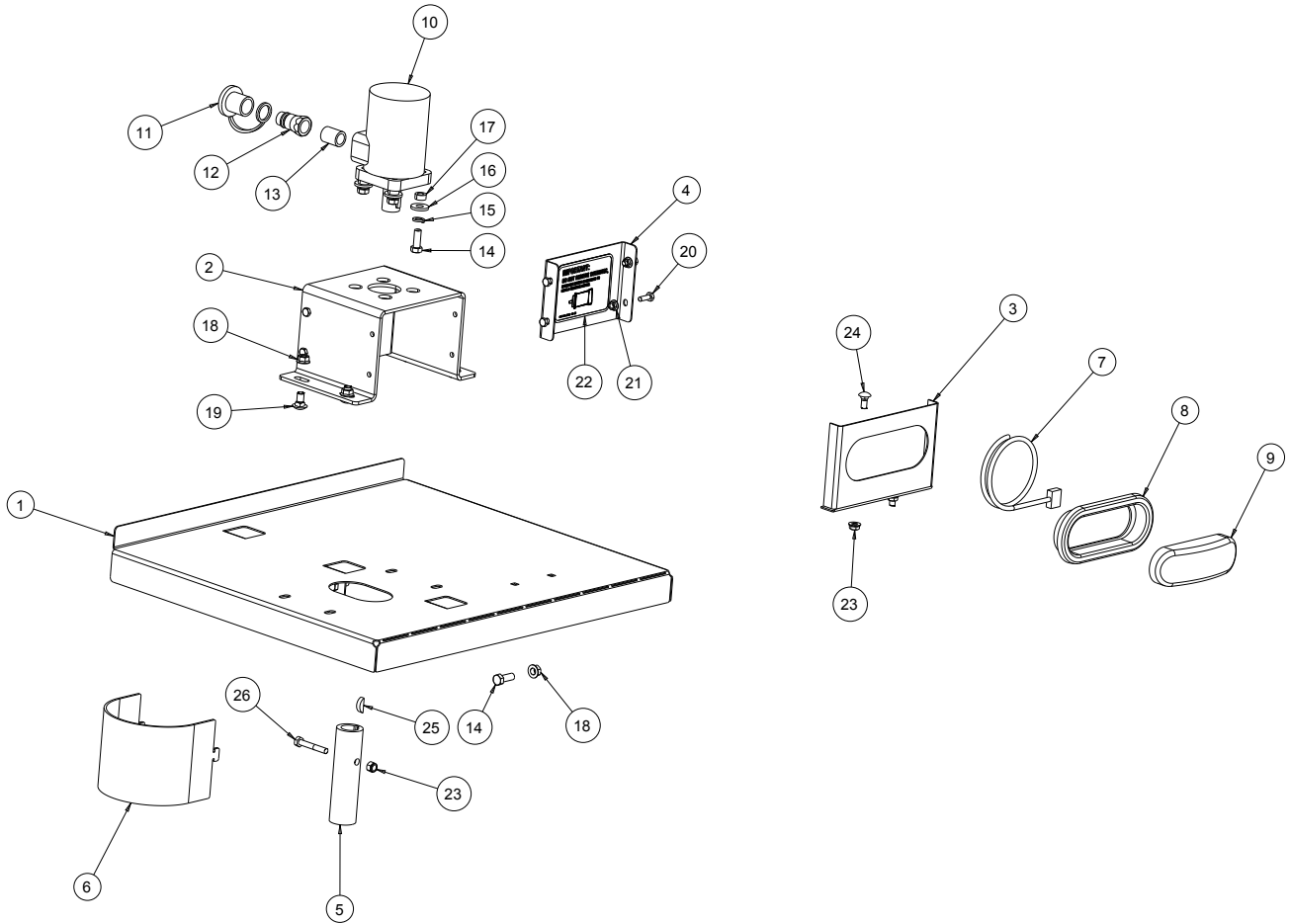
Meyer Products LLC reserves the right, under its continuing product improvement program, to change construction or design detail, specifications and prices without notice or without incurring any obligation.

Meyer Products LLC
 18513 Euclid Ave • Cleveland, Ohio 44112
 Phone 216-486-1313 • Fax 216-486-9775
 www.meyerproducts.com • Email: sales@meyerproducts.com



ILLUSTRATED PARTS LISTING
EUROPEAN CE POLYHAWK SPREADERS

HYDRAULIC DRIVE ASSEMBLY



Meyer Products LLC reserves the right, under its continuing product improvement program, to change construction or design detail, specifications and prices without notice or without incurring any obligation.

Meyer Products LLC
18513 Euclid Ave • Cleveland, Ohio 44112
Phone 216-486-1313 • Fax 216-486-9775
www.meyerproducts.com • Email: sales@meyerproducts.com



ILLUSTRATED PARTS LISTING
EUROPEAN CE POLYHAWK SPREADERS

HYDRAULIC DRIVE ASSEMBLY

Item	Part Number	Description	Qty
1	66063	Weld, Motor Plate Hyd S2	1
2	64073	Form, Motor Mtg Brkt S2	1
3	64076	Bracket, Rear Stp Light 14g S2	1
4	64072	Form, Shaft Guard 14g S2	2
5	62073	Coupling, Shaft	1
6	64160	Guard, Chain	1
7	62364	Cable, Light Power	1
8	62715	Grommet, Mtg	1
9	62714	Lamp, Stop (ctr Hgh Mt)	1
10	60324	Mtr, Hyd 003.0cid 4b Npt	1
11	62594	Dust Cap, 1/2"	1
12	62592	Quick Disconnect, 1/2" Male	1
13	62599	Nipple, 1/2" X Close Sch 40	1
14	62695	Bolt, 3/8-16 X 1-1/4 Hh Ss	4
15	63206	Lockwasher, 3/8" Med Split Ss	4
16	22230	Flatwasher, 3/8" U.s.s. Ss	4
17	62339	Bushing, Spacer, Ss	4
18	62638	Locknut, 3/8-16 NI Ss	4
19	63175	Bolt, 5/16-18 X 1 Ca Ss	4
20	62189	Bolt, 1/4-20 X 3/4 Hh Ss	8
21	64079	Locknut, 1/4-20 Nylon Ss Sp	8
22	62572	Decal, Motor	1
23	63301	Locknut, 5/16-18 NI Ss	3
24	62640	Bolt, 5/16-18 X 3/4 Ca Ss	2
25	61201	Key, 1/4" X 7/8" Woodruff	1
26	63308	Bolt, 5/16-18 X 2 Hh G5 Zp	1
ZP= Zinc Plated CS = Mild Carbon Steel SS= Stainless Steel A/R= As Required			

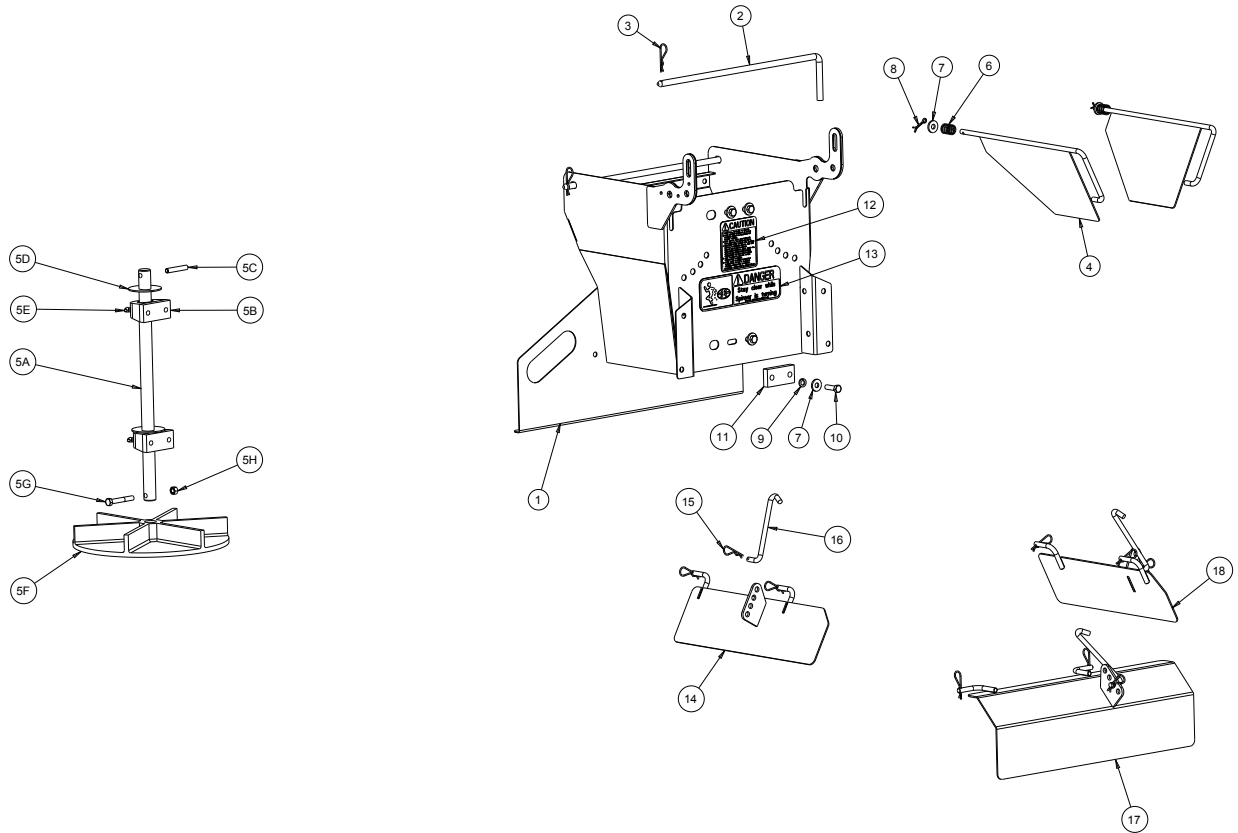
Meyer Products LLC reserves the right, under its continuing product improvement program, to change construction or design detail, specifications and prices without notice or without incurring any obligation.

Meyer Products LLC
 18513 Euclid Ave • Cleveland, Ohio 44112
 Phone 216-486-1313 • Fax 216-486-9775
 www.meyerproducts.com • Email: sales@meyerproducts.com



ILLUSTRATED PARTS LISTING EUROPEAN CE POLYHAWK SPREADERS

GAS DRIVE SPINNER ASSEMBLY



Meyer Products LLC reserves the right, under its continuing product improvement program, to change construction or design detail, specifications and prices without notice or without incurring any obligation.

Meyer Products LLC
18513 Euclid Ave • Cleveland, Ohio 44112
Phone 216-486-1313 • Fax 216-486-9775
www.meyerproducts.com • Email: sales@meyerproducts.com



ILLUSTRATED PARTS LISTING
EUROPEAN CE POLYHAWK SPREADERS

GAS DRIVE SPINNER ASSEMBLY

Item	Part Number	Description	Qty
1	64124	Weld, Spinner Frame S2	1
2	63145	Rod, Spinner SS	2
3	63193	Keeper, Hairpin Large SS	2
4	64180	Weld, Intrnl Bffle-ehpv 14g S2	2
5	63197	Sub-y, Swing Up Shaft	1
5A	63150	Shaft, Swing-up Spinner	1
5B	62356	Bearing, 1" Tapped Base	2
5C	63200	Pin, 3/8" X 2 1/4" Roll	1
5D	63143	Washer, Flat Rubber	2
5E	62988	Fitting, Zerk 1/4-28 90 Deg	2
5F	62146	Disc, Poly Spinner 13"	1
5G	63198	Bolt, 3/8-16 X 2-1/2 Hh Ss	1
5H	63199	Locknut, 3/8-16 Top Lock Ss	1
6	62358	Spring, Compression	2
7	22230	Flatwasher, 3/8" U.s.s. Ss	6
8	62691	Pin, 1/8" X 1" Cotter Ss	2
9	63206	Lockwasher, 3/8" Med Split Ss	4
10	62695	Bolt, 3/8-16 X 1-1/4 Hh Ss	4
11	62684	Block, Spacer Bearing Lpv	2
12	62007	Decal, Caution	1
13	62006	Decal, Danger (spinner)	1
14	63910	Weld, Spnr Baffle Lh 14g S2	1
15	63091	Keeper, Hairpin Small, Ss	9
16	62313	Bar, Link S3	3
17	63912	Weld, Spnr Baffle Rear 14g S2	1
18	63911	Weld, Spnr Baffle Rh 14g S2	1
N/S	63128	Trim, Vinyl	1.25
N/S	64183	Decal, Swing Up Spinner	1
ZP= Zinc Plated CS = Mild Carbon Steel SS= Stainless Steel A/R= As Required			

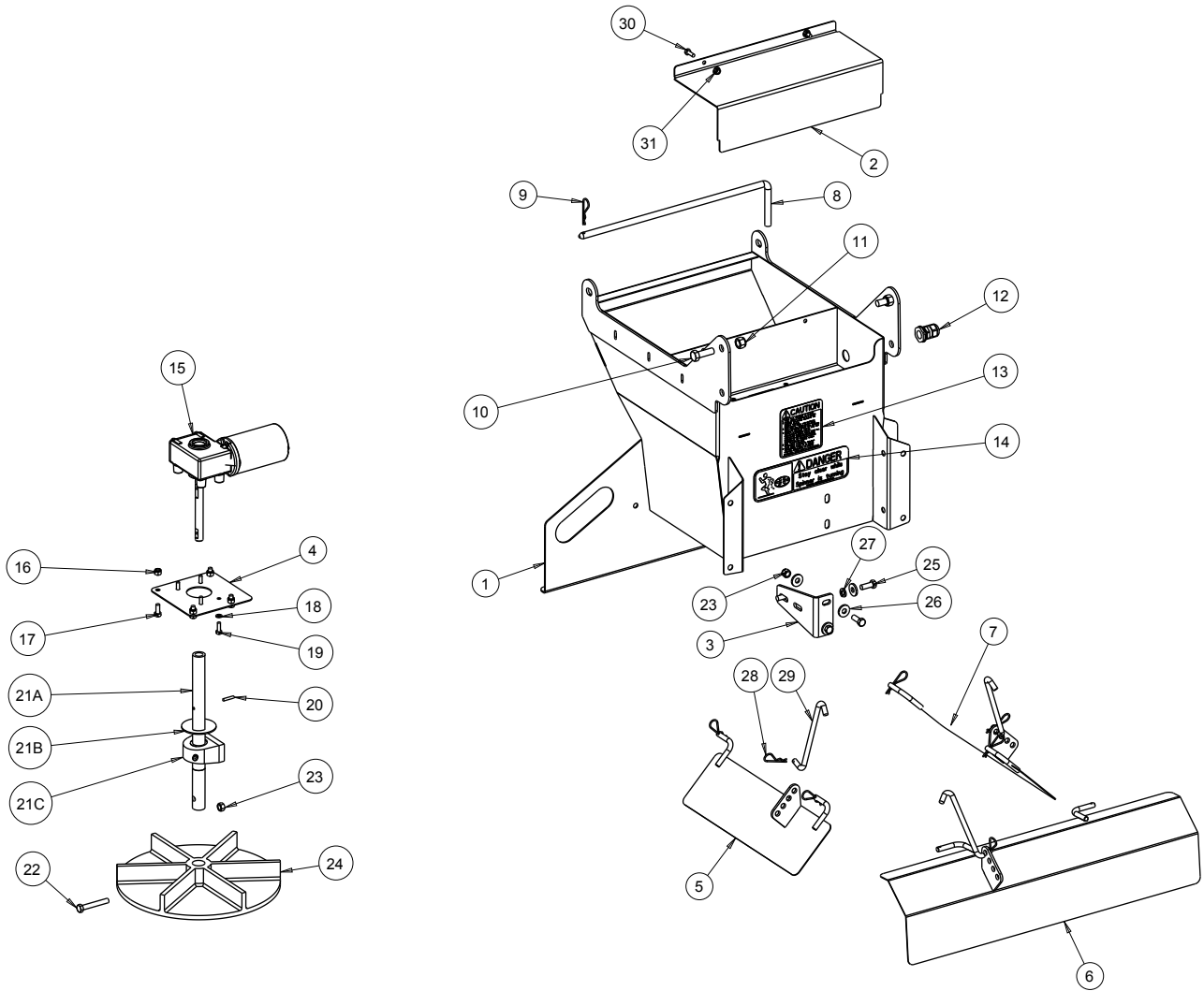
Meyer Products LLC reserves the right, under its continuing product improvement program, to change construction or design detail, specifications and prices without notice or without incurring any obligation.

Meyer Products LLC
 18513 Euclid Ave • Cleveland, Ohio 44112
 Phone 216-486-1313 • Fax 216-486-9775
 www.meyerproducts.com • Email: sales@meyerproducts.com



ILLUSTRATED PARTS LISTING
EUROPEAN CE POLYHAWK SPREADERS

DUAL MOTOR ELECTRIC DRIVE SPINNER ASSEMBLY



Meyer Products LLC reserves the right, under its continuing product improvement program, to change construction or design detail, specifications and prices without notice or without incurring any obligation.

Meyer Products LLC
 18513 Euclid Ave • Cleveland, Ohio 44112
 Phone 216-486-1313 • Fax 216-486-9775
 www.meyerproducts.com • Email: sales@meyerproducts.com



ILLUSTRATED PARTS LISTING
EUROPEAN CE POLYHAWK SPREADERS

DUAL MOTOR ELECTRIC DRIVE SPINNER ASSEMBLY

Item	Part Number	Description	Qty
1	66064	Weld, Spinner S2	1
2	64682	Form, Spinner Mtr Cvr 14g S2	1
3	64680	Form, Bearing Support 7g S2	1
4	64678	Plate, Spinner Motor Adapter	1
5	64773	Weld, Baffle Lh 14g S2	1
6	64772	Weld, Rear Baffle 14g S2	1
7	64774	Weld, Baffle Rh 14g S2	1
8	63145	Rod, Spinner SS	2
9	63193	Keeper, Hairpin Large SS	2
10	64380	Bolt, 1/2" x 1-1/2" HH SS	2
11	63259	Locknut, 1/2 NI Ss	2
12	62160	Bushing, Strain Relief	1
13	62007	Decal, Caution	1
14	62006	Decal, Danger (spinner)	1
15	64478	Motor, 12v Right Angle Spinner	1
16	63301	Locknut, 5/16-18 NI Ss	4
17	62752	Bolt, 5/16-18 X 3/4 Hh Ss	4
18	62810	Lockwasher, 1/4" Med Split Ss	4
19	64484	Bolt, 1/4-20 X 1/2 Hh Std Ss	4
20	64837	Pin, 3/16" X 1" Roll	1
21	64479	Y, Pv Spinner Shaft Elect Cs	1
21A	64836	Shaft, Spinner Cs	1
21B	63143	Washer, Flat Rubber	1
21C	62356	Bearing, 1" Tapped Base	1
22	63198	Bolt, 3/8-16 X 2-1/2 Hh Ss	1
23	63348	Locknut, 3/8-16 NI Ss	2
24	62146	Disc, Poly Spinner 13"	1
25	62697	Bolt, 3/8-16 X 1 Hh Ss	4
26	22230	Flatwasher, 3/8" U.s.s. Ss	6
27	63091	Keeper, Hairpin Small, Ss	9
28	62313	Bar, Link S3	3
29	62189	Bolt, 1/4-20 X 3/4 Hh Ss	2
30	64079	Locknut, 1/4-20 Nylon Ss Sp	3
N/S	64482	Harness, Electric Motor	1
N/S	64483	Twister Db Plus Wire Nut	2
N/S	63128	Trim, Vinyl	2.5
N/S	64183	Decal, Swing Up Spinner	1

ZP= Zinc Plated CS = Mild Carbon Steel SS= Stainless Steel A/R= As Required

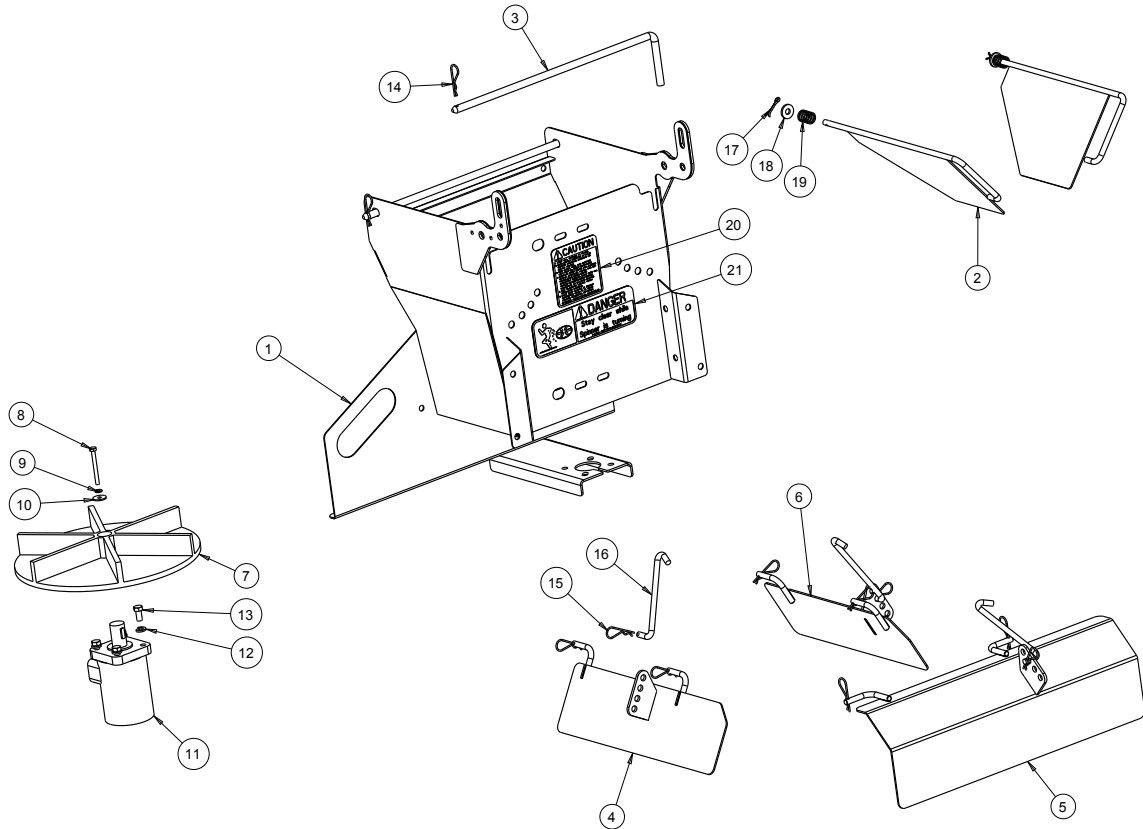
Meyer Products LLC reserves the right, under its continuing product improvement program, to change construction or design detail, specifications and prices without notice or without incurring any obligation.

Meyer Products LLC
 18513 Euclid Ave • Cleveland, Ohio 44112
 Phone 216-486-1313 • Fax 216-486-9775
 www.meyerproducts.com • Email: sales@meyerproducts.com



ILLUSTRATED PARTS LISTING
EUROPEAN CE POLYHAWK SPREADERS

HYDRAULIC DRIVE SPINNER ASSEMBLY



Meyer Products LLC reserves the right, under its continuing product improvement program, to change construction or design detail, specifications and prices without notice or without incurring any obligation.

Meyer Products LLC
18513 Euclid Ave • Cleveland, Ohio 44112
Phone 216-486-1313 • Fax 216-486-9775
www.meyerproducts.com • Email: sales@meyerproducts.com



ILLUSTRATED PARTS LISTING
EUROPEAN CE POLYHAWK SPREADERS

HYDRAULIC DRIVE SPINNER ASSEMBLY

Item	Part Number	Description	Qty
1	66065	Weld, Hyd Spinner Frame S2	1
2	64180	Weld, Intrnl Bffle-ehpv 14g S2	2
3	63145	Rod, Spinner SS	2
4	63910	Weld, Spnr Baffle Lh 14g S2	1
5	63912	Weld, Spnr Baffle Rear 14g S2	1
6	63911	Weld, Spnr Baffle Rh 14g S2	1
7	63209	Disc, Spinner, 13"poly,bot/hub	1
8	63204	Bolt, 1/4-20 X 2-1/2 Hh Ss	1
9	62810	Lockwasher, 1/4" Med Split Ss	1
10	63210	Flatwasher, 1/4" Special Ss	1
11	60324	Mtr, Hyd 003.0cid 4b Npt	1
12	63206	Lockwasher, 3/8" Med Split Ss	4
13	63205	Bolt, 3/8-16 X 3/4 Hh Ss	4
14	63461	Keeper, Hairpin Large SS	2
15	61232	Keeper, Hairpin Small	9
16	62313	Bar, Link S3	3
17	62691	Pin, 1/8" X 1" Cotter Ss	2
18	22230	Flatwasher, 3/8" U.s.s. Ss	2
19	62358	Spring, Compression	2
20	62007	Decal, Caution	1
21	62006	Decal, Danger (spinner)	1
22	63346	Hose, 1/2" X 60" (1) Wire	1
23	62591	Quick Disconnect, 1/2" Female	1
24	62593	Dust Plug, 1/2"	1
25	63128	Trim, Vinyl	1.25
26	64183	Decal, Swing Up Spinner	1
ZP= Zinc Plated CS = Mild Carbon Steel SS= Stainless Steel A/R= As Required			

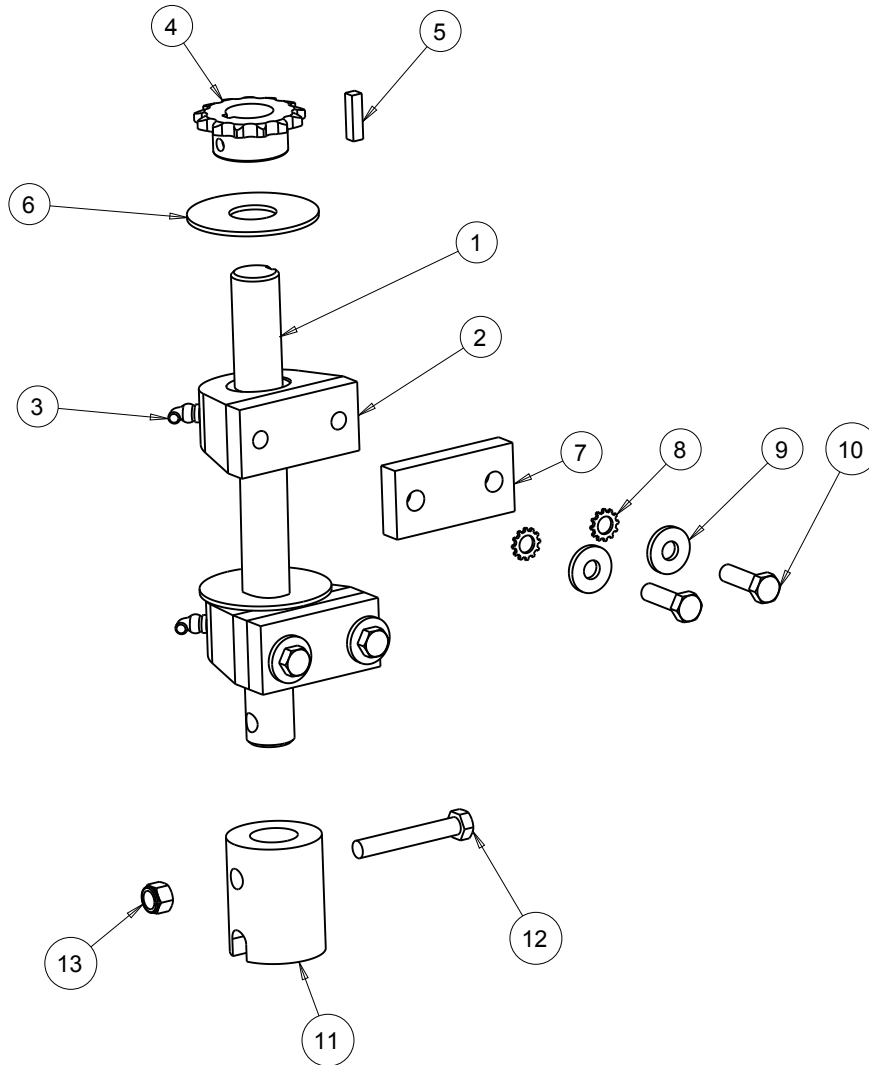
Meyer Products LLC reserves the right, under its continuing product improvement program, to change construction or design detail, specifications and prices without notice or without incurring any obligation.

Meyer Products LLC
 18513 Euclid Ave • Cleveland, Ohio 44112
 Phone 216-486-1313 • Fax 216-486-9775
 www.meyerproducts.com • Email: sales@meyerproducts.com



ILLUSTRATED PARTS LISTING
EUROPEAN CE POLYHAWK SPREADERS

SPINNER DRIVE SHAFT ASSEMBLY



Meyer Products LLC reserves the right, under its continuing product improvement program, to change construction or design detail, specifications and prices without notice or without incurring any obligation.

Meyer Products LLC
18513 Euclid Ave • Cleveland, Ohio 44112
Phone 216-486-1313 • Fax 216-486-9775
www.meyerproducts.com • Email: sales@meyerproducts.com



ILLUSTRATED PARTS LISTING
EUROPEAN CE POLYHAWK SPREADERS

SPINNER DRIVE SHAFT ASSEMBLY

Item	Part Number	Description	Qty
1	64184	Shaft, Spinner Drive	1
2	62356	Bearing, 1" Tapped Base	2
3	62988	Fitting, Zerk 1/4-28 90 Deg	2
4	63685	Sprocket, H40b13x1" W/kw	1
5	61196	Key, 1/4" Sq X 1"	1
6	63143	Washer, Flat Rubber	2
7	62684	Block, Spacer Bearing	2
8	62685	Lockwasher, 3/8" SS	4
9	22230	Flatwasher, 3/8" SS	4
10	62695	Bolt, 3/8" x 1-1/4" SS	4
11	63142	Coupling, Shaft, Poly	1
12	20068	Bolt, 3/8-16 X 2-1/2 Hh G5 Zp	1
13	62696	Locknut, 3/8-16 NI Ss Sp	1
N/S	63188	Chain, Roller #40-55	1
ZP= Zinc Plated CS = Mild Carbon Steel SS= Stainless Steel A/R= As Required			

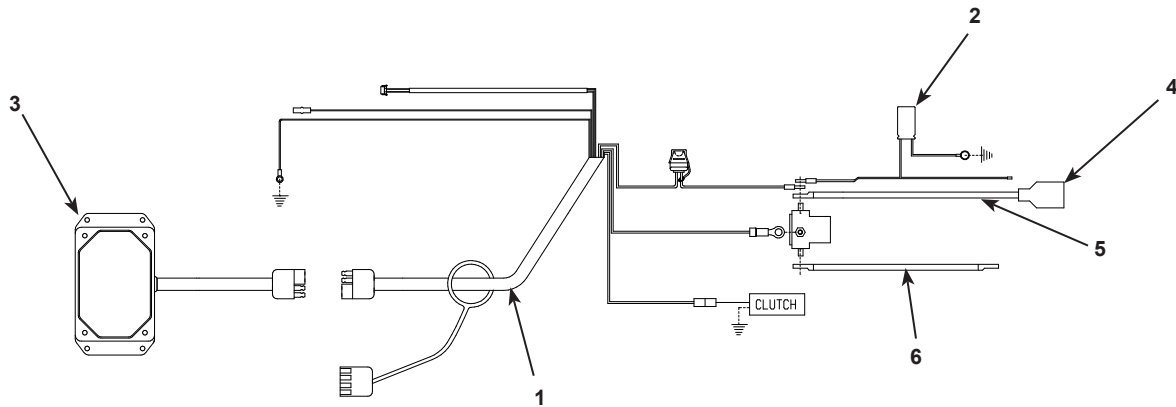
Meyer Products LLC reserves the right, under its continuing product improvement program, to change construction or design detail, specifications and prices without notice or without incurring any obligation.

Meyer Products LLC
 18513 Euclid Ave • Cleveland, Ohio 44112
 Phone 216-486-1313 • Fax 216-486-9775
 www.meyerproducts.com • Email: sales@meyerproducts.com



ILLUSTRATED PARTS LISTING
EUROPEAN CE POLYHAWK SPREADERS

B&S WIRING / CONTROLLER



Item	Part Number	Description	Qty
1	64086	Cable, Spreader Control	1
2	64084	Harness, Capacitor	1
3	64586	Controller, Wireless European	1
4	63125	Boot, Battery Cable	1
5	63130	Cable, Battery Red	1
6	63753	Cable, Starter Red	1
N/S	62040	Cable, Battery Black	1
N/S	62106	Boot, Alt	2
N/S	66066	Transmitter, Wireless European	1
ZP= Zinc Plated CS = Mild Carbon Steel SS= Stainless Steel A/R= As Required			

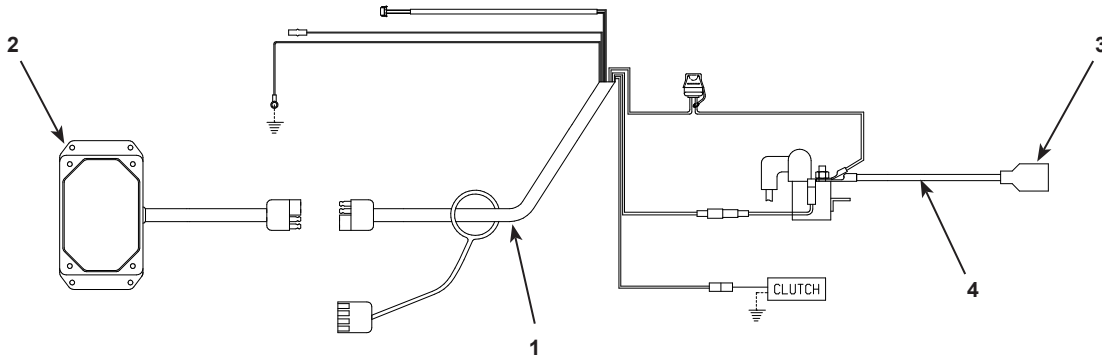
Meyer Products LLC reserves the right, under its continuing product improvement program, to change construction or design detail, specifications and prices without notice or without incurring any obligation.

Meyer Products LLC
 18513 Euclid Ave • Cleveland, Ohio 44112
 Phone 216-486-1313 • Fax 216-486-9775
 www.meyerproducts.com • Email: sales@meyerproducts.com



ILLUSTRATED PARTS LISTING
EUROPEAN CE POLYHAWK SPREADERS

HONDA WIRING / CONTROLLER



Item	Part Number	Description	Qty
1	64086	Cable, Spreader Control	1
2	64586	Controller, Wireless European	1
3	63125	Boot, Battery Cable	1
4	63130	Cable, Battery Red	1
N/S	62040	Cable, Battery Black	1
N/S	66066	Transmitter, Wireless European	1
ZP= Zinc Plated CS = Mild Carbon Steel SS= Stainless Steel A/R= As Required			

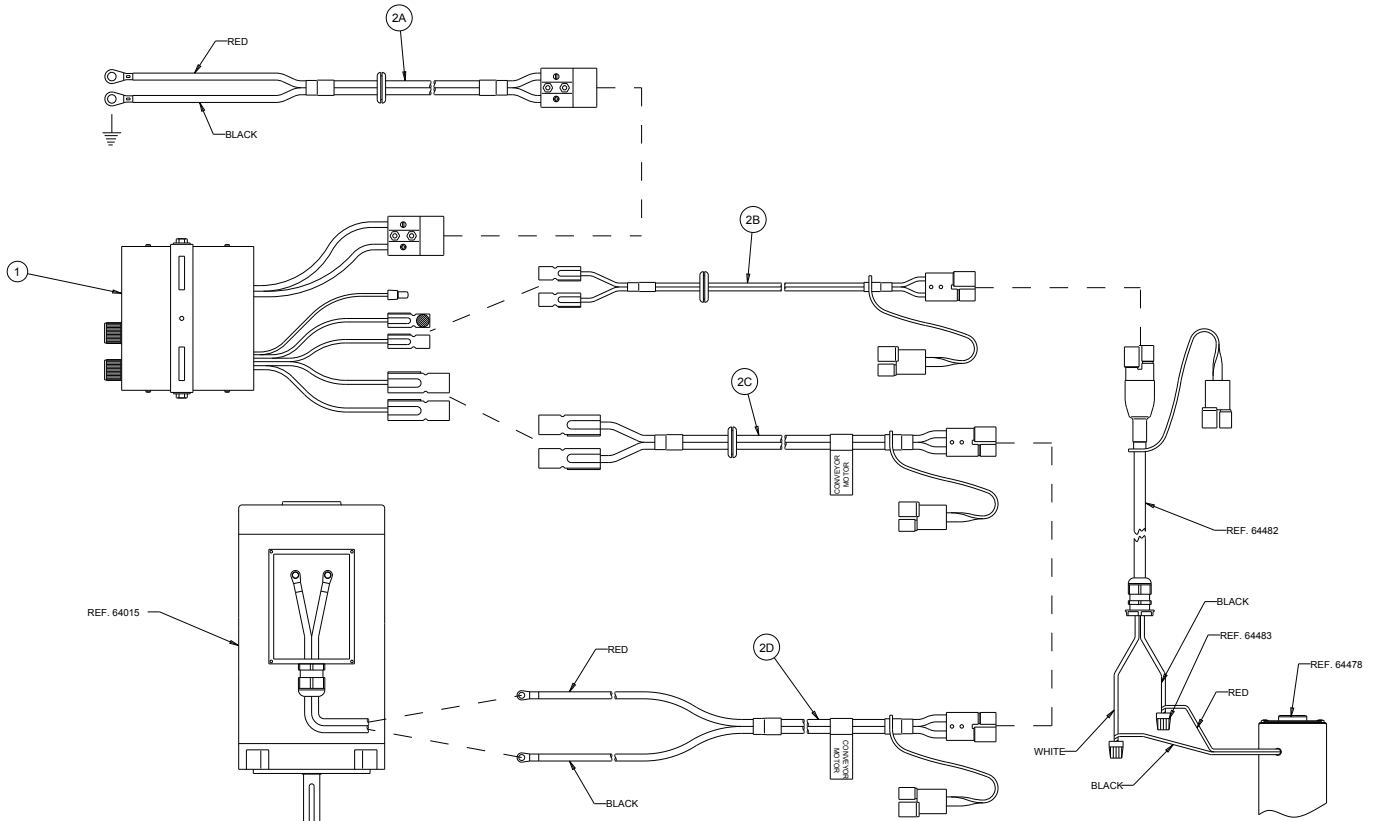
Meyer Products LLC reserves the right, under its continuing product improvement program, to change construction or design detail, specifications and prices without notice or without incurring any obligation.

Meyer Products LLC
 18513 Euclid Ave • Cleveland, Ohio 44112
 Phone 216-486-1313 • Fax 216-486-9775
 www.meyerproducts.com • Email: sales@meyerproducts.com



ILLUSTRATED PARTS LISTING EUROPEAN CE POLYHAWK SPREADERS

DUAL MOTOR ELECTRIC WIRING / CONTROLLER



Item	Part Number	Description	Qty
1	63962	Control, Motor Dual Elec	1
2	64474	P, Vbel Dual Mtr Ctrl Harn	1
3	64641	Brkt, Elec Conn 10g S2	2
ZP= Zinc Plated CS = Mild Carbon Steel SS= Stainless Steel A/R= As Required			

Meyer Products LLC reserves the right, under its continuing product improvement program, to change construction or design detail, specifications and prices without notice or without incurring any obligation.

Meyer Products LLC
18513 Euclid Ave • Cleveland, Ohio 44112
Phone 216-486-1313 • Fax 216-486-9775
www.meyerproducts.com • Email: sales@meyerproducts.com

