

PARTS & INSTALLATION INSTRUCTIONS

MEYER SNOW PLOW MOUNTING

1992 & LATER FORD (F 450) SUPERDUTY 4x2 VEHICLES

IMPORTANT NOTICE

End user must be given this instruction sheet prior to delivery of this Snow Plow.

The equipment you have just purchased should only be used on vehicles equipped with the Manufacturer's Snow Plow Preparation Packages. Snow Plowing without the original Snow Plow Preparation Package may damage your vehicle and the added weight to the equipment may impair the operation and control of the vehicle. Snow Plowing with a vehicle that the manufacturer does not recommend for that purpose may void your new vehicle warranty. If your vehicle is not originally equipped with the Snow Plow Package, additional parts may be necessary before snow plowing. Owners of these vehicles should consult their dealers before purchase or installation of such parts. CAUTION: the installation, on any vehicle, of these parts is not a full substitute for the original equipment Snow Plow Preparation Package.

Warning: Lift Arm extends beyond bumper of vehicle. To minimize damage from a front-end collision, Lift Arm should be removed from vehicle when Snow Plow is removed.

PARTS LIST

Item	Part No.	Qty.	Description
	17105	1	MOUNTING CARTON
1	11520	1	• Clevis Frame
2	11513	1	• Side Member L.H.
3	11514	1	• Side Member R.H.
4	11515	1	• L.H.Strap
5	11516	1	• R.H.Strap
6	11396	1	• Brace Connector
7	10514	1	• Lift Arm
8	11544	2	• Receiver Tube Cap
	08683	1	• HARDWARE BAG
9	11006	2	•• Hinge Pin
10	14744	2	•• Spacer
11	20139	2	•• Bolt H 5/8-11 x 1-1/2" Gr.5
12	20140	6	•• Bolt H 5/8-11 x 1-3/4" Gr. 5
13	20141	2	•• Bolt H 5/8-11 x 2" Gr.5
14	20144	1	•• Bolt H 5/8-11 x 2-3/4" Gr. 5
15	20146	2	•• Bolt H 5/8-11 x 3-1/4" Gr. 5
16	20150	2	•• Bolt H 5/8-11 x 4-1/2" Gr.5
17	20162	2	•• Bolt H 3/4-10 x 1-1/2" Gr.5
18	20307	4	•• Locknut Esna 1/2-13
19	20309	15	•• Locknut Esna 5/8-11
20	20310	2	•• Locknut 3/4-10
21	20357	2	•• Flatwasher 5/8"
22	20359	2	•• Flatwasher 3/4"
23	21984	2	•• Hair Pin Cotter
24	22003	4	•• Bolt H 1/2-13 x 2" Gr.8
25	22135	2	•• Handle Nut
26	11255	1	LIFT FRAME (Tubular)
15" Sector			
Item	Part No.	Qty.	Description
	16504	1	SECTOR -A-FRAME CARTON
	12793	1	• Sector
27	13608	1	• A- Frame
	07017	3	• Trip Spring
	09916	1	• Marker Kit
	08341	1	• PLOW HARDWARE BAG
	09119	2	•• Pivot Pin w/Cotter
28	11101	2	•• Hinge Pin
29	22083	2	•• Linch Pin
	09125	1	•• King Bolt w/Locknut
	09124	4	•• Eye Bolt w/Locknuts

Parts indented are included in the carton, bag or assembly under which they are indented. When ordering parts, furnish Part No., Name, and Description. Also furnish Vehicle Model and Year. Type of Hydraulic Unit and Moldboard Size.

Meyer Products reserves the right, under its continuing product improvement program, to change construction or design details, specifications and prices without notice or without incurring any obligation.

GENERAL INFORMATION

CAUTION: Always disconnect battery before beginning installation.

DO NOT BURN holes or **WELD** vehicle frame. This may cause frame failure.

After first use, retighten all mounting bolt connections to specified torque. All mounting bolt connections to be checked periodically for tightness.

Locknuts are furnished **DO NOT** tighten bolts and nuts until installation is complete (unless otherwise specified), then be sure to tighten all attaching parts per specified torque chart.

NOTE: It is important that the Meyer harness, all wires from the Meyer light switch, and all other electrical wires be routed around hot or moving engine parts, and any sharp metal. Protection must be provided to guard against wire damage at these points. All excess or loose wires must be neatly secured using wire ties.

Check contents against the parts list to determine all are correct and included, and also to familiarize yourself with them.

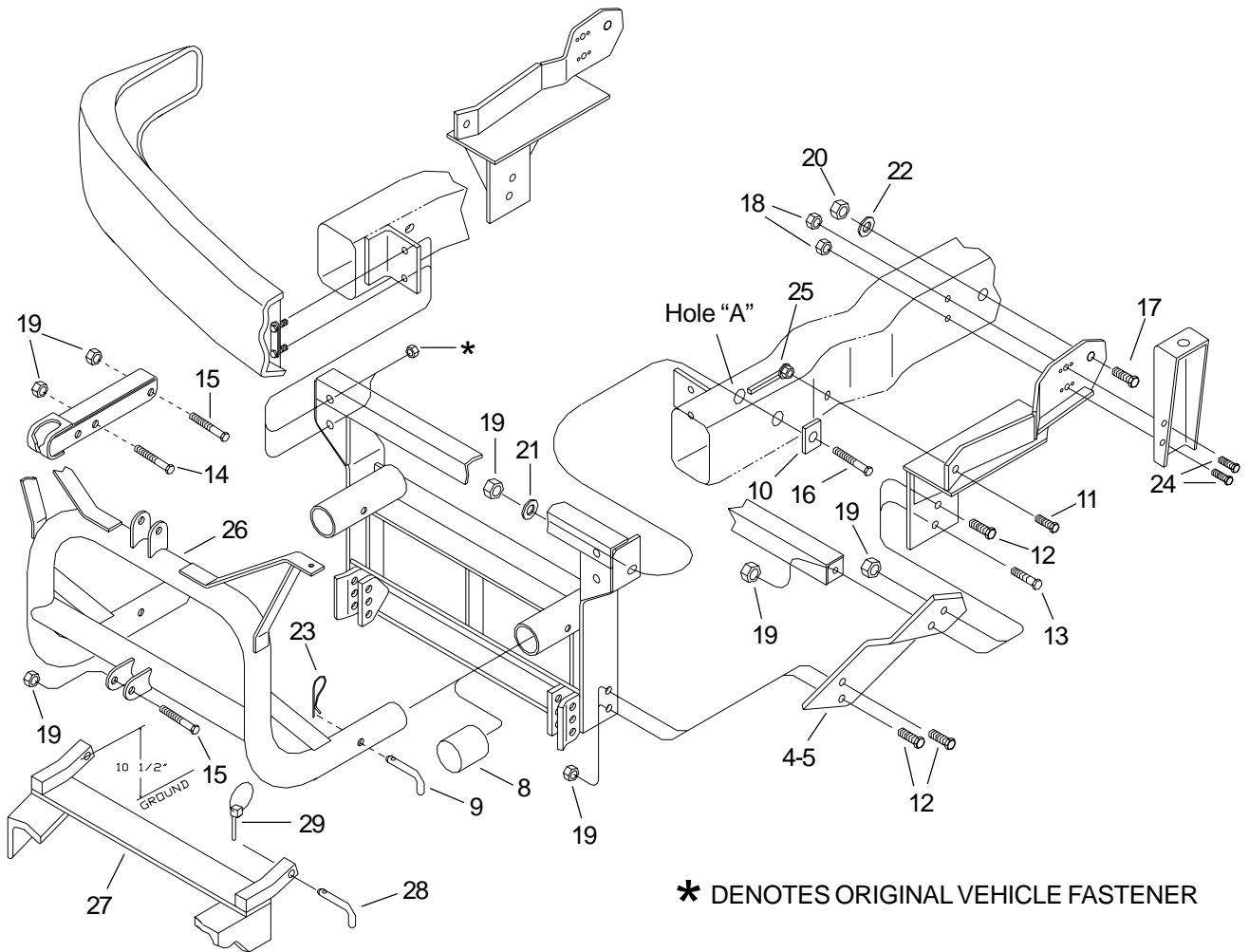
SAFETY PRECAUTIONS should be used when **Hydraulic Unit is in OPERATION** and plow is in a **RAISED** position. **Lower plow to ground when vehicle is PARKED.**

OVERHAUL and **SERVICE INFORMATION** are covered on separate instructions.

Follow these instructions explicitly. Warranty does not apply to a Meyer product which has been negligently or improperly assembled or installed.

Vehicles must have heavy duty front end equipment as recommended by Ford Motor Company for snow plow applications.

**F-450 Super Duty - 5000 lb. Front Suspension (674)
With Monobeam Front Axle**

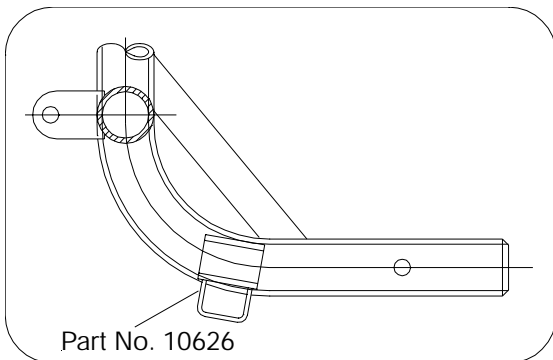
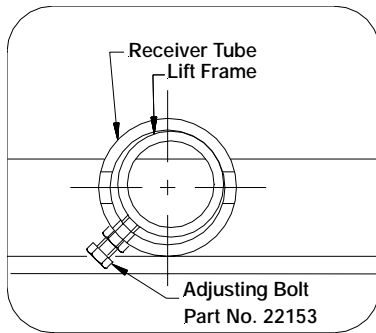


INSTALLATION INSTRUCTIONS

- A. Remove bolts from shock absorber brackets. Retain all hardware they will not be re-used.
- B. Position side members (2&3) between vehicle frame and shock absorber brackets. Attach sidemembers at shock absorber bracket using 1/2-13 x 2" bolts (24) and locknuts (18). Attach sidemembers to vehicle frame - back hole using 3/4-10 x 1-1/2" bolt (17), flatwasher (22) and locknut (20). Attach front hole using 5/8-11 x 1-1/2" bolt (11) and handle nut (25).

Make certain side members are flat against bottom of vehicle frame before tightening to proper torque.

- C. Remove bumper and bumper nuts (*).
- D. Using hole "A" in vehicle frame, position clevis frame (1) behind vehicle bumper brackets. Attach to vehicle frame using 5/8-11 x 4-1/2" bolt (16), spacer (10), flatwasher (21) and locknut (19). Re-install bumper and bumper nuts (*).



- E. Attach side strap (4 & 5) to clevis frame (1) using 5/8-11 x 1-3/4" bolt (12) and locknut (19). Attach side straps and brace angle (6) to side members using 5/8-11 x 2" bolts (13) and locknuts (19). Attach side straps to side members using 5/8-11 x 1-3/4" bolts (12) and locknut (19).

Note: Before tightening the fasteners, the clevis frame should be pushed back as far as possible under vehicle.

- F. Tighten all fasteners to their proper torque. Tighten bolts in the same order they were assembled to the vehicle.

Important Notice: Prior to installation of the lift frame (26), it will be necessary to identify the lift frame being installed. Current production lift frames have additional stops (Part No. 10626) tack welded to the existing stops. (See illustration.) Earlier production lift frames will not have these stops. Depending upon the S.A.F. Carton being installed, additional stops may need to be added or removed.

- G. When installing S.A.F. Carton 16504, lift frame should have the additional stops Part No. 10626).

Note: Before installing lift frame tubing to clevis frame, liberally coat ends of lift frame with chassis grease / anti-seize lubricant.

- H. Install Lift Frame (26) into the tubes on the clevis frame. Turn adjusting bolts in until contact is made with lift frame.

Caution: Do not over tighten adjustment bolts. Adjust bolts for minimum clearance between lift frame and receiver tubes while still allowing for ease of lift frame removal. See illustration. Secure lift frame (26) to clevis frame (1) using hinge Pins (9) and hair pin cotters (23).




- J. Attach lift arm (7) to lift frame (26) using 5/8-11 x 3-1/4" bolt (15) and locknut (19). Mount Hydraulic unit to lift frame using 5/8-11 x 3-1/4" bolt (15) and locknut (19), and to lift arm (7) using 5/8-11 x 2-3/4" bolt (14) and locknut (19). (**SEE WARNING**)

- K. Install hydraulic system and snow plow lights per separate instructions.

- M. Pre-Assemble Moldboard Assembly, A-Frame (27), Sector, ect., per separate instructions.

- N. Hook the A-Frame chain to the Lift Arm (7) allowing sufficient slack to enable the Moldboard to follow ground contour while plowing.

TORQUE CHART FOOT LBS.

Bolt Nut Size	Gr. 2 	Gr. 5 	Gr. 8 
1/4 - 20	4 - 5		
5/16 - 18	9 - 11		
3/8 - 16	17 - 20		
7/16 - 14		26 - 29	
1/2 - 13		42 - 46	
5/8 - 11		127 - 141	60 - 66
3/4 - 10		227 - 251	179 - 198

Meyer Products assumes no responsibility for installations not made in accordance with these instructions.

Note: When the lift frame module (26) is removed from the vehicle, the insides of the clevis frame (1) receiver tubes and outside ends of the lift frame should be coated with chassis grease/anti-seize lubricant and the protective receiver tube caps (8) install over the clevis frame receiver tubes.