

## PARTS & INSTALLATION INSTRUCTIONS MEYER SNOW PLOW MOUNTING DODGE DAKOTA 4 X 4

### IMPORTANT NOTICE

**End user must be given this instruction sheet prior to delivery of this Snow Plow.**

The equipment you have just purchased should only be used on vehicles equipped with the Manufacturer's Snow Plow Preparation Packages. Snow Plowing without the original Snow Plow Preparation Package may damage your vehicle and the added weight to the equipment may impair the operation and control of the vehicle. Snow Plowing with a vehicle that the manufacturer does not recommend for that purpose may void your new vehicle warranty. If your vehicle is not originally equipped with the Snow Plow Package, additional parts may be necessary before snow plowing. Owners of these vehicles should consult their dealers before purchase or installation of such parts. CAUTION: the installation, on any vehicle, of these parts is not a full substitute for the original equipment Snow Plow Preparation Package.

**Warning: Lift Arm extends beyond bumper of vehicle. To minimize damage from a front-end collision, Lift Arm should be removed from vehicle when Snow Plow is removed.**

### PARTS LIST

ITEM	PART NO.	QTY	DESCRIPTION
	18060DP	1	<b>MOUNTING CARTON</b>
1	11280	1	• Clevis Frame
2	11285	1	• Clevis Support Frame
3	10514	1	• Lift Arm
4	13778	1	• A-Frame
5	12959	1	• Pivot Bar
6	12978	2	• Trip Springs
7	11462	2	• Receiver Tube Cap
	08599	1	• <b>Hardware Bag - Mounting</b>
8	08626	1	•• <b>Kit Light Elevation</b>
9	11368	2	••• Bracket
10	20095	2	••• Bolt 1/2-13 x 1-1/2" Gr . 5
11	20307	2	••• Locknut Esna 1/2-13
12	11006	2	•• Hinge Pin
13	14595	2	•• Bolt, Special
14	20072	6	•• Bolt H 7/16-14 x 1-1/4" Gr . 5
15	20094	2	•• Bolt H 1/2-13 x 1-1/4" Gr . 5
16	20144	1	•• Bolt H 5/8-11 x 2-3/4" Gr. 5
17	20146	2	•• Bolt H 5/8-11 x 3-1/4" Gr . 5
18	20307	2	•• Locknut Esna 1/2-13
19	20309	5	•• Locknut Esna 5/8-11
20	20310	2	•• Locknut Esna 3/4-10
21	20354	6	•• Washer, Flat 7/16
22	21984	2	•• Hair Pin Cotter
23	11275	1	<b>LIFT FRAME(Tubular)</b>

**Parts indented are included in the carton, bag or assembly under which they are indented.**

Meyer Products LLC reserves the right, under its continuing product improvement program, to change construction or design details, specifications and prices without notice or without incurring any obligation.

# GENERAL INFORMATION

**CAUTION:** Always disconnect battery before beginning installation.

**DO NOT BURN** holes or **WELD** vehicle frame. This may cause frame failure.

After first use, retighten all mounting bolt connections to specified torque. All mounting bolt connections to be checked periodically for tightness.

Locknuts are furnished **DO NOT** tighten bolts and nuts until installation is complete (unless otherwise specified), then be sure to tighten all attaching parts per specified torque chart.

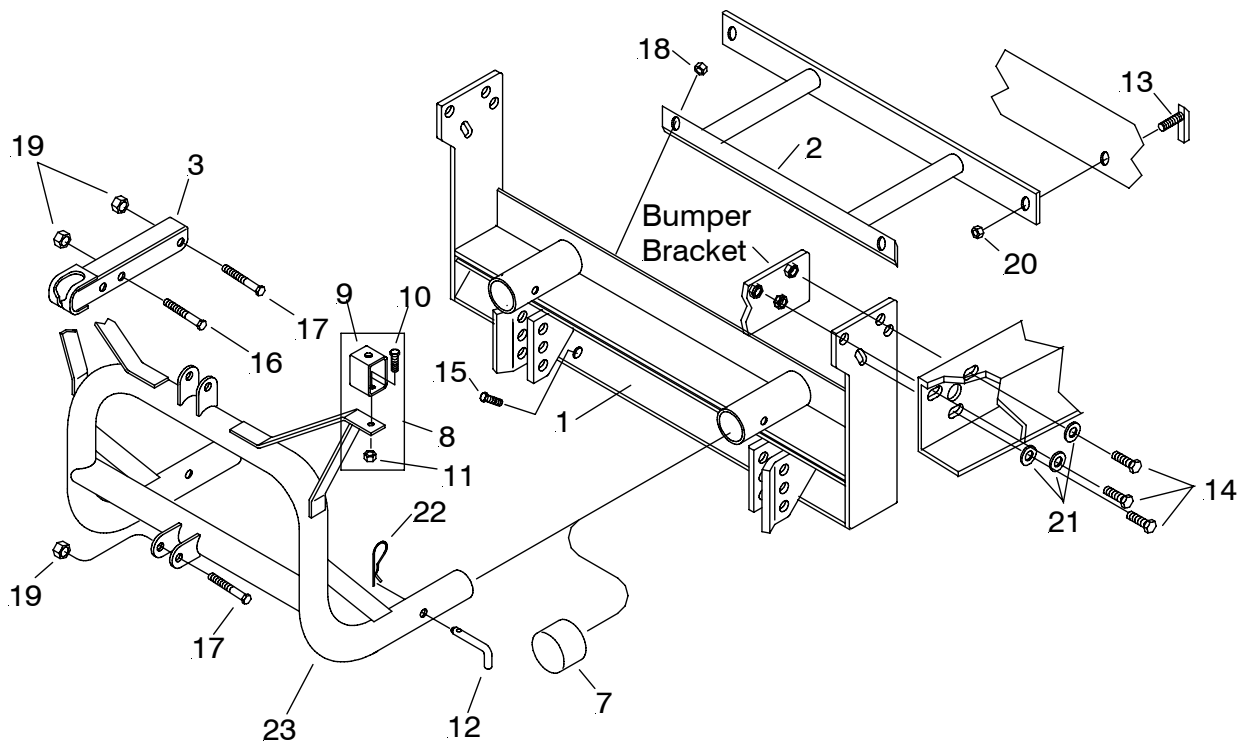
**NOTE:** It is important that the Meyer harness, all wires from the Meyer light switch, and all other electrical wires be routed around hot or moving engine parts, and any sharp metal. Protection must be provided to guard against wire damage at these points. All excess or loose wires must be neatly secured using wire ties.

Check contents against the parts list to determine all are correct and included, and also to familiarize yourself with them.

**SAFETY PRECAUTIONS** should be used when **Hydraulic Unit is in OPERATION** and plow is in a **RAISED** position. **Lower plow to ground when vehicle is PARKED.**

**OVERHAUL** and **SERVICE INFORMATION** are covered on separate instructions.

Follow these instructions explicitly. Warranty does not apply to a Meyer product which has been negligently or improperly assembled or installed.



# IMPORTANT NOTICE

1. "If a snow plow is installed on this vehicle, compensating weight must be added and securely anchored at the extreme rear of the cargo box to prevent overloading of the front axle."

If the front axle loading exceeds either 62 percent of the empty truck total weight, or the front GAWR, ballast compensating weight must be permanently attached at the rear of the truck to bring front axle weight within weight specifications.

2. Before the snowplow installation begins a measurement is to be taken from the vehicle front cross-member to the ground.

Once the mounting, all wiring and lights are installed, both the vehicle's torsion bars should be tightened to bring the vehicle back to the height that it was prior to the installation. This adjustment is made before the addition of the compensating weight .




## INSTALLATION INSTRUCTIONS

- A. Remove the front bumper by removing three bolts at the vehicle frame for both the L.H. (driver) and R.H.(passenger) side bumper support brackets. These bolts will not be used. Next remove bolts from outer bumper braces. These bolts will not be used.
- B. Loosen, but do not remove, the bolts which attach bumper support brackets to bumper. Note: If bumper has a deflector attached, installation can be made more easily by removing it.
- C. Position clevis frame (1) to the inside of vehicle frame. Position bumper and align bumper support brackets to the inside of clevis frame (1). Attach both to vehicle frame using 7/16-14 x 1-1/4" bolts (14), flat washers (21). With clevis support bracket (2) held against the vehicle's front crossmember, center punch and drill two 13/16" holes. Remove the plastic plugs from the crossmember to allow the special bolt (13) to be installed through the holes in the crossmember and clevis support bracket (2). Secure using 3/4-10 locknut (20) . Reinstall plastic plugs in vehicle cross-member.  
**Note : Before tightening the fasteners, the clevis frame should be pushed back as far as possible under the vehicle.**

- E. Tighten all fasteners to their proper torque . Tighten bolts in the same order they were assembled to the vehicle .
- F. Install lift frame (23) into the tubes on clevis frame (1) using hinge pins (12) and hair pin cotter pins (22).  
**Note: Before installing lift frame tubing to clevis frame, liberally coat ends of lift frame with chassis grease.**
- G. Install lights making certain there is clearance behind the lights for opening the vehicle hood. Lights must be aimed to comply with Federal Regulations.
- H. Install plow light wiring per separate instructions .
- I. Attach lift arm (3) to lift frame (23) using 5/8-11 x 3-1/4" bolt (17) and locknut (19) . Mount E-47 unit to lift frame with 5/8-11 x 3-1/4" bolt (17) and locknut (19), and to lift arm (3) using 5/8-11 x 2-3/4" bolt (16) and locknut (19).
- J. Install Moldboard Assembly per separate instructions .  
**Reference Form 1-694 or 1-670 for Moldboard Assembly.**

**Note: When the lift frame module (23) is removed from the vehicle, the insides of clevis frame (1) receiver tubes and outside ends of the lift frame should be coated with chassis grease/anti-seize lubricant and the protective receiver tube caps (7) installed over the clevis frame receiver tubes.**

### TORQUE CHART FOOT LBS.

Bolt Nut Size	Gr. 2 	Gr. 5 	Gr. 8 
1/4 - 20	4 - 5		
5/16 - 18	9 - 11		
3/8 - 16	17 - 20		
7/16 - 14		26 - 29	
1/2 - 13		42 - 46	60 - 66
5/8 - 11		127 - 141	179 - 198
3/4 - 10		227 - 251	

Meyer Products assumes no responsibility for installations not made in accordance with these instructions.