



PARTS & INSTALLATION INSTRUCTIONS

E-58H ELECTRO- LIFT®

with ELECTRO-TOUCH and 1-1/2" x 10" P.A. Rams

Parts List

Item	12 Volt Part No.	24 Volt Part No.	Qty.	Description
	15988	15602	1	Lift and P.A. Ass'y. (Complete)
1	15995	15613	1	• Lift Ass'y. (Unit only)
2	15630	15630	1	• E-58H Lift Unit Cover
3	15631	15631	1	• Cover Strap
4	15370	15446	1	• Starter Solenoid - 12 volt
	07620	07620	2	• Ram L.H. & R.H. with Hose & Fittings
5	07968	07968	1	•• Ram (1-1/2" x 10")
6	22461	22461	1	•• Hose Ass'y. SAE 1/4 x 38" Lg. M-6 Face Seal
7	22460	22460	1	•• SAE 6 x 90 Degree Elbow
8	22691	22691	1	• Universal Truck Side Harness
9	22692	22692	1	• Plow Side Harness
10	05024	05024	1	• Power Cable - 36"
11	08473	08473	1	• Relief Valve Kit - Reservoir
	15787	15787	1	• Hardware Bag
	07273	07273	1	•• Tap Connector
12	21398	21398	2	•• S. Tapping Screw 1/4 - 14 x 3/4"
13	21832	21832	1	•• Bushing - Split
	21953	21953	1	•• Decal - Danger (Mount on Dashboard)
14	22690X	22690X	1	• Pistol Grip Controller
	08364	08364	1	• Hardware Bag (P.A. Rams)
15	20146	20146	2	•• Bolt H 5/8 - 11 x 3 1/4" Gr. 5
15	20150	20150	2	•• Bolt H 5/8 - 11 x 4 1/2" Gr. 5
16	20309	20309	4	•• Locknut 5/8 - 11
	08202	08202	1	• Plug Bracket Kit
17	19607	19607	1	•• Plug Bracket
18	19609	19609	1	•• Plate
19	20027	20027	2	•• Bolt H 5/16-18 x 1 Gr. 2
20	22658	22658	2	•• Bolt H 5/16-18 x 3 Gr. 2
21	20525	20525	4	•• Finish Nut 5/16-18
22	20326	20326	4	•• Lockwasher 5/16
*	08206	08206	1	Complete Coupler Kit *Optional
23	22442	22442	1	• Male P.A. Block Coupler
24	22443	22443	1	• Female Hose Coupler
25	22444	22444	1	• Male Hose Coupler
26	22445	22445	1	• Female P.A. Block Coupler

Parts indented are included in the carton, bag or assembly under which they are indented.

Meyer Products LLC reserves the right, under its continuing product improvement program, to change construction or design details, specifications and prices without notice or without incurring any obligation.



GENERAL INFORMATION:

CAUTION: Always disconnect battery prior to installation.

Check contents against the parts list to determine all are correct and included. When ordering parts, furnish Part No., Name and Description, Type of Hydraulic Unit and Moldboard Size.

SAFETY PRECAUTIONS should be used when **Electro-Lift®** is in OPERATION and plow is in a RAISED position. LOWER plow to ground when vehicle is PARKED.

OVERHAUL and SERVICE INFORMATION is covered on separate instructions.

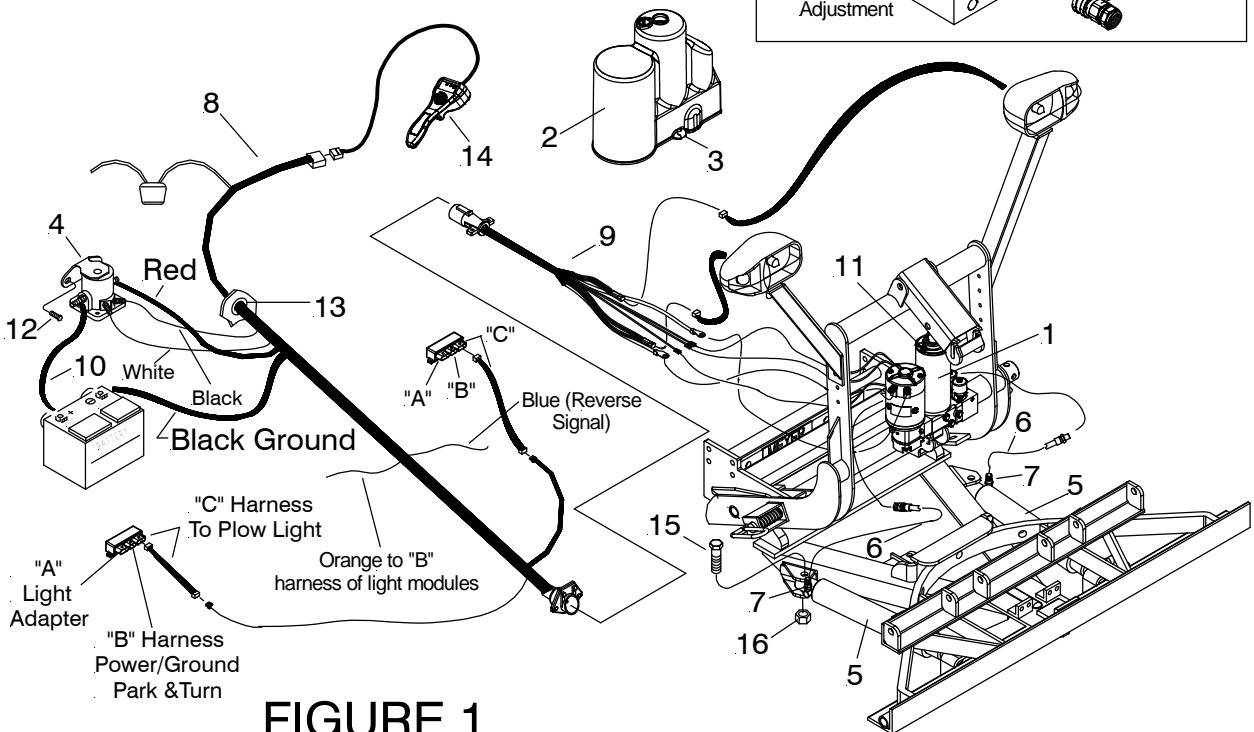
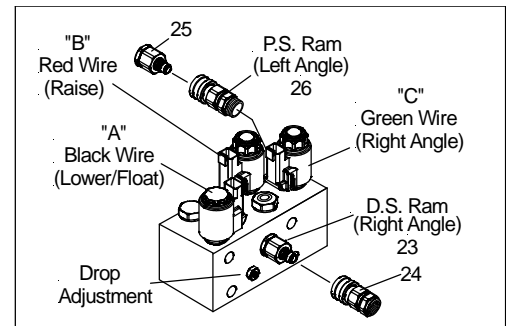
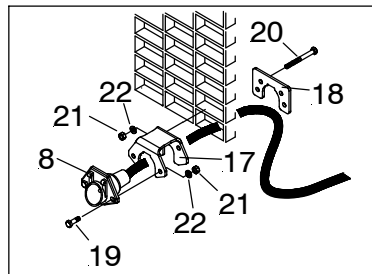
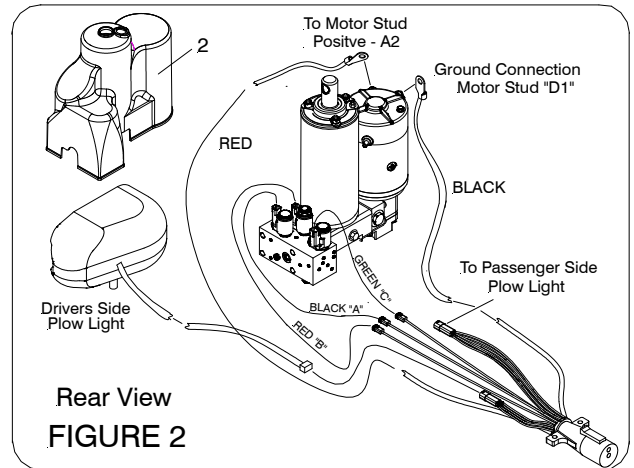
For **Electro-Lift®** Unit maintenance, refer to "Owner's Manual."

NOTES:

1. Connect ground cable to negative side of battery for a solid connection to ground.
2. Caution: Route all cables away from moving engine parts, Manifolds, and sharp sheet metal.
3. For weather protection, tape all electrical connections at front of vehicle.
4. The vehicle must be equipped with a "Heavy Duty Battery" (70 Amp. Hr. Min.) 550 C.C.A. and "Alternator" (60 amp. Min.) to obtain maximum performance.
5. Follow these instructions explicitly. Warranty does not apply to a Meyer product which has been negligently or improperly assembled or installed.

INSTALLATION INSTRUCTIONS

- Remove shipping plug from filler hole and install Relief Valve Kit (11). Tighten to 100-125 in. lbs.
- Attach Plow Side Harness (9) power cables to the Hydraulic Lift Unit (1). Attach the red (+) cable to the motor stud marked (A2). Attach the black (-) cable to the motor stud marked (D1). Connect the red, black and green wires from Plow Side Harness (9) and connect to solenoids on the Power Angling Block. See Figure 2.



INSTALLATION INSTRUCTIONS CONT.

- C. Install E-58H Lift Assembly (1) to Lift Frame (using bolts supplied in the mounting carton), with the Electric Motor toward the right hand side (Passenger side); attach the lift ram to the Lift Arm. **When installing on E-Z Mount Classic, reference SB 208.**

WARNING:

Lift arm extends beyond bumper of vehicle. To minimize damage from a front-end collision, lift arm should be removed from vehicle when snow plow is not in use.

- D. Install Universal Truck Side Harness (8) through the vehicle grill.
- H. Use Bushing (13) where Harness (8) is routed through firewall and radiator support panel. Requires 7/8" diameter hole. Be certain to route all wiring around hot or moving engine parts, and any sharp sheet metal. Protection must be provided to guard against wire damage at these points. All excess or loose wire must be neatly secured using wire ties. Fused lead from Wiring Harness (8) must be attached to terminal in fuse panel that is activated only when the ignition key is "on."
- I. Install Starter Solenoid (4) to metal surface in engine compartment using Screws (12). (Solenoid must be grounded to operate). Attach Red Power Cable (8) to a large terminal on Starter Solenoid (2). Attach Black Ground Cable (8) to negative (-) terminal of battery. Attach 36" Power Cable (10) to positive (+) terminal of battery and remaining large terminal on Starter Solenoid (2). Attach small white wire from harness (8) to small terminal marked (S) and small black wire from harness to small terminal marked (I)(Ground) on Starter Solenoid (8).
- M. Attach orange wire from harness (8) to the orange wires from each light module. This will eliminate the need for an additional switch in the cab to operate the snow plow lights. When the Pistol Grip Controller (14) is turned on the plow lights will be activated and when the controller (8) is turned off the plow lights will be deactivated.
- N. Attach Blue wire to a vehicle reverse signal (back up light). The blue wire is sensing when the vehicle is in reverse in order to operate HFP (Hands Free Plowing).

Note: All electrical connections should have both ends coated with a dielectric grease prior to final installation. This will ensure a good connection and help in preventing corrosion.

POWER ANGLING CYLINDERS:

Attach Meyer Power Angling Cylinders (5) to Sector and A-Frame using bolts (15) and locknuts (16).

Note: 5/8-11 x 4-1/2" Bolts (15) must be used to connect the angle cylinder to the LP & DP Pivot Bar.

Make certain Ram (5) on Driver's side connects to the Drivers side port on the P.A. Block (SEE FIGURE 1).

Optional Couplers Note: When installing plow system to a E-Z Mount Classic or Custom Mountings optional coupler kit 08206 must be purchased separately. These couplers will install between the P.A. Block and the hoses. When the Moldboard Assembly is removed from the vehicle, to prevent contamination to the Couplers and Hydraulic system, the L.H. and R.H. Power Angling Hoses must be reattached by plugging the couplers together.

Power Angling Cylinders furnished with the Electro-Lift® have been factory filled with the proper amount of fluid. If for any reason it is necessary to add fluid to Reservoir or to bleed the Power Angling Cylinders, proceed as follows:

- Remove Relief Valve (11) from Reservoir to add fluid during charging and bleeding.
- Temporarily loosen both hose connections at the R.H., L.H. Power Angling Cylinders. Base end of Cylinder must be higher than Rod end to enable trapped air to escape.
- Angle the Plow in both directions until fluid leaks out at both points in a steady flow.
- Retighten the hose connections.

NOTE:

Proper fluid level is 1-1/2" below filler hole. It must be checked with the lift arm fully retracted (down).

For snow plow light installation see separate instructions.

Reference Form 1-757 see Paragraph 7

Route Cables "C" (Yellow) from module to Male Plug (8). Connect both "C" Harness female ends to the male corresponding ends of the Male Plug (8). As per Figure 1.

Connect both male ends from the snow plow light to the female ends on the Female Socket (9). As per Figure 2.

Check snow plow light blinkers to make sure the wires have not been reversed.

Meyer Products LLC assumes no responsibility for installations not made in accordance with these instructions.