



**PARTS & INSTALLATION INSTRUCTIONS**  
**MDII™ and EZ MOUNT PLUS™**  
**SNOW PLOW MOUNTING 17141**  
**2004 & LATER FORD F150 4x4 MODELS**  
**8,200 lb. G.V.W.R.**

RECOMMENDED SNOWPLOW PREPARATION PACKAGE 63A

End user must be given this instruction sheet prior to delievery of this Snow Plow.

**SAFETY DEFINITIONS**

	This is the safety alert symbol. It is used to alert you to potential personal injury hazards. Obey all safety messages that follow this symbol to avoid possible injury or death.
	DANGER Indicates an imminently hazardous situation which, if not avoided, will result in death or serious injury.
	WARNING Indicates a potentially hazardous situation which, if not avoided, could result in death or serious injury.
	CAUTION Indicates an potentially hazardous situation which, if not avoided, may result in minor or moderate injury.
	CAUTION used without the safety alert symbol indicates a potentially hazardous situation which, if not avoided, will result in property damage.

**IMPORTANT NOTICE**

In conjunction with FMVSS (Federal Motor Vehicle Safety Standards) and OEM (Original Equipment Manufacturer) guidelines, Meyer Products has designed this plow package with the following guidelines:

	Installation of a snowplow may effect your new vehicle warranty. For more information consult your Vehicle Owner's Manual / Vehicle Dealer.
	The vehicle must not be operated when overloaded. In all cases, the loaded vehicle weight, including the entire snowplow system, all aftermarket accessories, driver, passenger, options, nominal fluid levels, and cargo must not exceed the front/rear Gross Axle Weight Rating (GAWR), and total Gross Vehicle Weight Rating (GVWR). These weights ratings are specified on the safety compliance certification label on the driver's side door opening. The use of rear ballast weight may be required to prevent exceeding the front GAWR.

According to the NHTSA (National Highway Traffic Safety Administration) new and untitled vehicles need to be verified by the installer that snowplow and ballast (if needed) do no exceed the front/rear GAWR and total GVWR.

	Read the Meyer Owner's Manual before operating or servicing a snowplow. <b>FOLLOW THESE INSTRUCTIONS EXPLICITLY.</b>
--	--

**GENERAL INFORMATION**

	<b>SAFETY PRECAUTIONS</b> should be used when <b>Hydraulic Unit is in OPERATION</b> and plow is in a <b>RAISED</b> position. <b>Lower plow to ground when vehicle is PARKED in case of hydraulic failure.</b>
--	---

Check contents against the parts list to determine all are correct and included, and also to familiarize yourself with them.

	Warranty does not apply to a Meyer or Diamond product which has been negligently or improperly assembled or installed.
	<b>CAUTION: To avoid harm to vehicles electrical system always</b> disconnect battery before beginning installation. <b>DO NOT BURN</b> holes or <b>WELD</b> vehicle frame. This may cause frame failure.

**OVERHAUL and SERVICE INFORMATION** are covered on separate instructions.

Meyer Products and Diamond Equipment reserves the right, under its continuing product improvement program, to change construction or design details, specifications and prices without notice or without incurring any obligation.

Meyer Products Inc.  
18513 Euclid Ave. • Cleveland, Ohio 44112-1084  
Phone 486-1313 (Area Code 216)  
www.meyerproducts.com • email info@meyerproducts.com

Diamond Equipment  
6 Angell Lane • Damariscotta, ME 04543-4507  
Phone 563-2227 (Area Code 207)  
www.diamondplow.com • email info@diamondplow.com



## PARTS LIST

ITEM	PART NO.	QTY.	DESCRIPTION
	17141		<b>MOUNTING CARTON</b>
1	19234	1	RH Mount Weldment
2	19233	1	LH Mount Weldment
3	08820	1	• <b>HARDWARE BAG</b>
4	19239	2	•• Spacer Tube 4-5/16 long
5	20357	4	•• 5/8 Flatwasher
6	20154	2	•• Bolt H 5/8-11 x 6 Gr. 5
7	20152	2	•• Bolt H 5/8-11 x 5 Gr. 5
8	20309	6	•• 5/8-11 Locknut
9	19240	2	•• Spacer Tube 3-11/16 long
10	20140	2	•• Bolt H 5/8-11 x 1-3/4 Gr. 5
11	20355	4	•• 1/2 Flatwasher
12	20096	8	•• Bolt H 1/2-13 x 1-3/4 Gr. 5
13	20307	8	•• 1/2-13 Locknut
*	19370	1	<b>Universal Clevis (Part of Plus CLF carton)</b>
**	11770	1	<b>Universal Clevis (Part of MDII CLF carton)</b>
<b>11" SECTOR</b>			<b>MEYER</b>
	<b>PART NO.</b>	<b>QTY.</b>	<b>DESCRIPTION</b>
	16515	1	Sector A-Frame Carton
			<b>DIAMOND</b>
	81504	1	Common Attaching Kit
	81026	1	Push Frame

Parts indented are included in the carton, bag or assembly under which they are indented.

## IMPORTANT

After first use, retighten all mounting bolt connections to specified torque. All mounting bolt connections to be checked periodically for tightness.

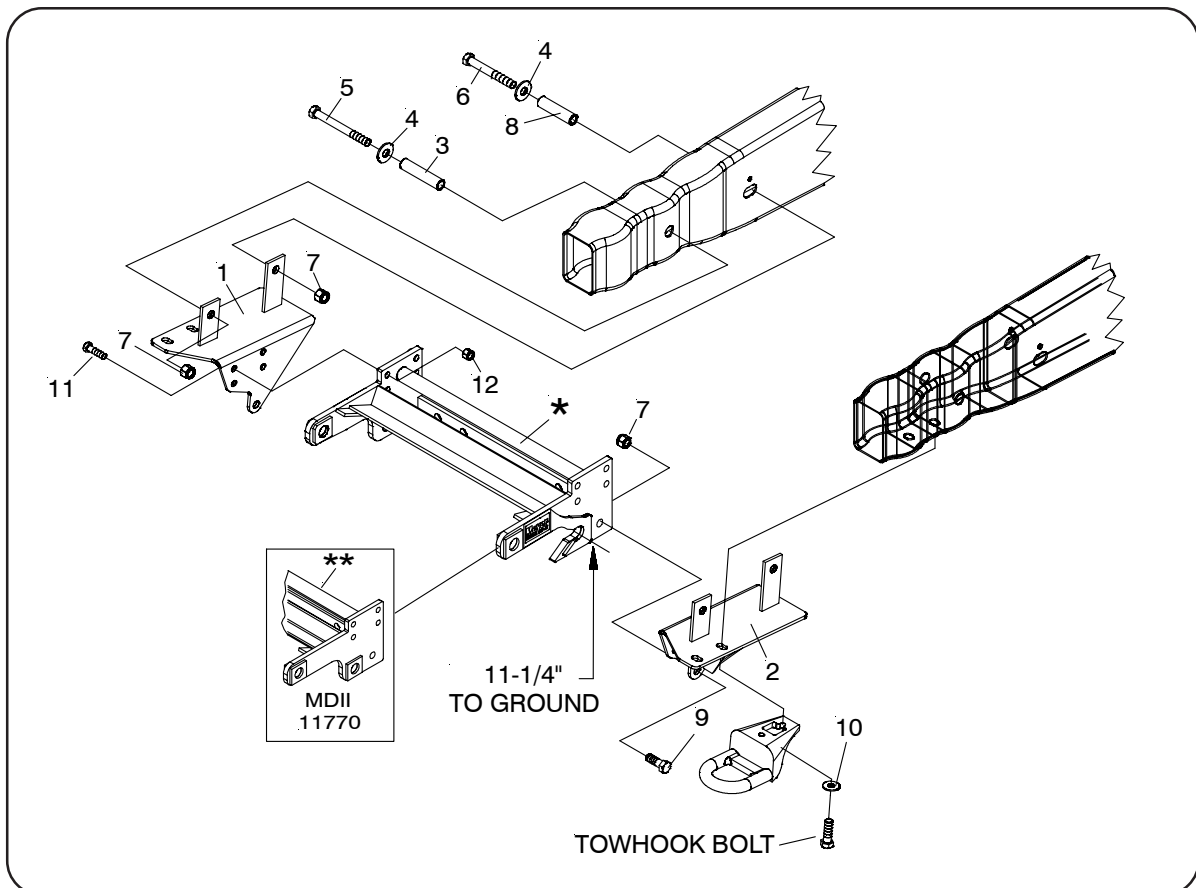
Locknuts are furnished **DO NOT** tighten bolts and nuts until installation is complete (unless otherwise specified), then be sure to tighten all attaching parts per specified torque chart.

## TORQUE CHART FOOT

Bolt Nut Size	Gr. 2	Gr. 5	Gr. 8
1/4 - 20	4 - 5	9 - 11	
5/16 - 18	9 - 11	17 - 20	
3/8 - 16			26 - 29
7/16 - 14			42 - 46
1/2 - 13			64 - 72
5/8 - 11			127 - 141
			60 - 66
			90 - 100
			179 - 198

### NOTE:

THIS MOUNTING CARTON CAN BE USED WITH THE MDII OR EZ MOUNT PLUS CLF CARTONS.



## VEHICLE RECOMMENDATIONS

- 2004 (144.7 W.B 8' Box) regular cab only Heavy Duty optional service package 63A F150 4,300 lbs. front suspension as recommended by Ford Motor Company for snow plow applications.
- 2004 (163.7 W.B. 8' Box) super cab (no super crew) Heavy Duty service package 63A F150 4,300 front suspension as recommended by Ford Motor Company for snow plow applications.

### **⚠WARNING**

- Due to weight restrictions on vehicle's front GAWR, a ST/STP 7.5 Moldboard only are recommended on vehicles equipped with a 4,300 front G.A.W.R

### **⚠WARNING**

- A ballast weight may be required to prevent front GAWR overloading. If required, ballast must be securely attached at least 24 inches behind the rear axle.

### **⚠WARNING**

- Front end wheel alignment and headlight aim may require readjustment after installation of equipment, and is the responsibility of the equipment installer. Failure to adjust front wheel alignment may cause premature uneven tire wear. If required, reset to chassis manufacture's specifications found in the Ford Shop Manual.

Rear ballast is determined by weighing a vehicle's front and rear axles and adding weight behind the rear axle until front axle weight is under or equal to the vehicle specific front GAWR while not exceeding the rear GAWR and GVWR.

Vehicle option packages may vary. If in doubt, it is always a good idea to weigh the vehicle to ensure all weight ratings are not exceeded with plow in the raised position.

## INSTALLATION INSTRUCTIONS

To maintain front end alignment measure and record the front bumper height before installing any hardware. Mount all snowplow hardware, adjust torsion bars per the Ford Shop Manual's alignment procedure until the original front bumper height is achieved. Note: reverse this procedure when plow is removed.

**Failure to follow these recommendations may cause premature tire wear and affect front end alignment.**

- A. Remove Tow Hooks, they will be reused, if desired, retain bolts for later use. Nut Bar inside frame will also be reused.
- B. Attach L.H. & R.H. Side Members (1&2) and vehicle towhooks (if desired) to the bottom of vehicle frame front two holes, using original vehicle fasteners, as shown, and fasten with original Nut Bars. If towhooks are not used add 1/2 flatwasher (10) between original vehicle fasteners and L.H. & R.H. Side Members (1&2). Install bolt 5/8-11 x 6" (5), 5/8 flatwasher (4), spacer (3) through first tab of L.H. & R.H. Side Members (1&2), and fasten with 5/8-11 locknut (7) to the first hole on the side of the frame. Install bolt 5/8-11 x 5" (6), 5/8 flatwasher (4), spacer (8) to the second tab on L.H. & R.H. Side Members (1&2) and fasten with 5/8-11 locknuts (7) to the rear slot on the side of the frame. **Note: snug all bolts during the installation. Do not torque down any bolts until step D.**
- C. Attach L.H. & R.H. Side Members (1&2) to the Universal Clevis (\*) using bolt 1/2-13 x 1-3/4 (11), and 1/2-13 locknuts (12) in the 4 upper holes. Also attach using bolt 5/8-11 x 1-3/4" (9), and 5/8-11 locknuts (7) in the lower hole.  
  
**Note: before tightening the fasteners, the clevis (\*) should be level with the ground and pushed back as far under the vehicle as possible.**
- D. Tighten all fasteners to their proper torque. Tighten bolts in the same order they were assembled.
- E. Install remaining snowplow hardware per separate instructions.

**Note: when tightening Light Brackets to Lift Frame, you should pull them forward as far as possible, to avoid interference with Ford hood.**

**Meyer Products or Diamond Equipment assumes no responsibility for installations not made in accordance with these instructions.**