



PARTS & INSTALLATION INSTRUCTIONS
MDII™ and EZ MOUNT PLUS™
SNOW PLOW MOUNTING 17131
1998 -2003 MITSUBISHI / FUSO FG
4x4 MODELS

End user must be given this instruction sheet prior to delievery of this Snow Plow.

SAFETY DEFINITIONS

	This is the safety alert symbol. It is used to alert you to potential personal injury hazards. Obey all safety messages that follow this symbol to avoid possible injury or death.
	DANGER Indicates an imminently hazardous situation which, if not avoided, will result in death or serious injury.
	WARNING Indicates a potentially hazardous situation which, if not avoided, could result in death or serious injury.
	CAUTION Indicates an potentially hazardous situation which, if not avoided, may result in minor or moderate injury.
	CAUTION used without the safety alert symbol indicates a potentially hazardous situation which, if not avoided, will result in property damage.

IMPORTANT NOTICE

In conjunction with FMVSS (Federal Motor Vehicle Safety Standards) and OEM (Original Equipment Manufacturer) guidelines, Meyer Products has designed this plow package with the following guidelines:

	Installation of a snowplow may effect your new vehicle warranty. For more information consult your Vehicle Owner's Manual / Vehicle Dealer.
--	---

	The vehicle must not be operated when overloaded. In all cases, the loaded vehicle weight, including the entire snowplow system, all aftermarket accessories, driver, passenger, options, nominal fluid levels, and cargo must not exceed the front/rear Gross Axle Weight Rating (GAWR), and total Gross Vehicle Weight Rating (GVWR). These weights ratings are specified on the safety compliance certification label on the driver's side door opening. The use of rear ballast weight may be required to prevent exceeding the front GAWR.
--	---

According to the NHTSA (National Highway Traffic Safety Administration) new and untitled vehicles need to be verified by the installer that snowplow and ballast (if needed) do no exceed the front/rear GAWR and total GVWR.

	Read the Meyer Owner's Manual before operating or servicing a snowplow. FOLLOW THESE INSTRUCTIONS EXPLICITLY.
--	--

GENERAL INFORMATION

	SAFETY PRECAUTIONS should be used when Hydraulic Unit is in OPERATION and plow is in a RAISED position. Lower plow to ground when vehicle is PARKED in case of hydraulic failure.
--	---

Check contents against the parts list to determine all are correct and included, and also to familiarize yourself with them.

	Warranty does not apply to a Meyer or Diamond product which has been negligently or improperly assembled or installed.
--	--

	CAUTION: To avoid harm to vehicles electrical system always disconnect battery before beginning installation. DO NOT BURN holes or WELD vehicle frame. This may cause frame failure.
--	---

OVERHAUL and SERVICE INFORMATION are covered on separate instructions.

Meyer Products and Diamond Equipment reserves the right, under its continuing product improvement program, to change construction or design details, specifications and prices without notice or without incurring any obligation.

Meyer Products Inc.
18513 Euclid Ave. • Cleveland, Ohio 44112-1084
Phone 486-1313 (Area Code 216)
www.meyerproducts.com • email info@meyerproducts.com

Diamond Equipment
6 Angell Lane • Damariscotta, ME 04543-4507
Phone 563-2227 (Area Code 207)
www.diamondplow.com • email info@diamondplow.com



PARTS LIST

ITEM	PART NO.	QTY	DESCRIPTION
	17131	1	MOUNTING CARTON
1	80236	1	• Push Arm Passenger Side
2	80235	1	• Push Arm Driver Side
3	19145	1	• L.H.Front Hanger
4	19146	1	• R.H.Front Hanger
5	19151	1	• Rear Brace Weldment
6	19138	1	• Angle
	08777	1	• MOUNTING HARDWARE BAG
7	22079	9	• Bolt H M10 - 1.25 x 35 mm
8	22374	3	• Bolt H M10 - 1.25 x 45 mm
9	22177	12	• M10 - 1.25 Nut
10	22138	4	• Bolt H M12 - 1.25 x 40 mm
11	21989	4	• M12 - 1.25 Nut
12	20353	12	• Flatwasher 3/8"
13	20095	10	• Bolt H 1/2-13 x 1-1/2" Gr.5
14	20096	6	• Bolt H 1/2-13 x 1-3/4" Gr.5
15	20097	2	• Bolt H 1/2-13 x 2" Gr.5
16	20307	18	• Locknut 1/2-13
17	20141	4	• Bolt H 5/8-11 x 2" Gr.5
18	20309	4	• Locknut 5/8-11
19	20357	4	• Flatwasher 5/8"
*	19370	1	Universal Clevis (Part of Plus CLF Carton)
**	11770	1	Universal Clevis (Part of MDII CLF Carton)
15" SECTOR			MEYER
	PART NO.	QTY.	DESCRIPTION
	16516	1	Sector A-Frame Carton
DIAMOND			
	81504	1	Common Attaching Kit
	81026	1	Push Frame

Parts indented are included in the carton, bag or assembly under which they are indented.

IMPORTANT

After first use, retighten all mounting bolt connections to specified torque. All mounting bolt connections to be checked periodically for tightness.

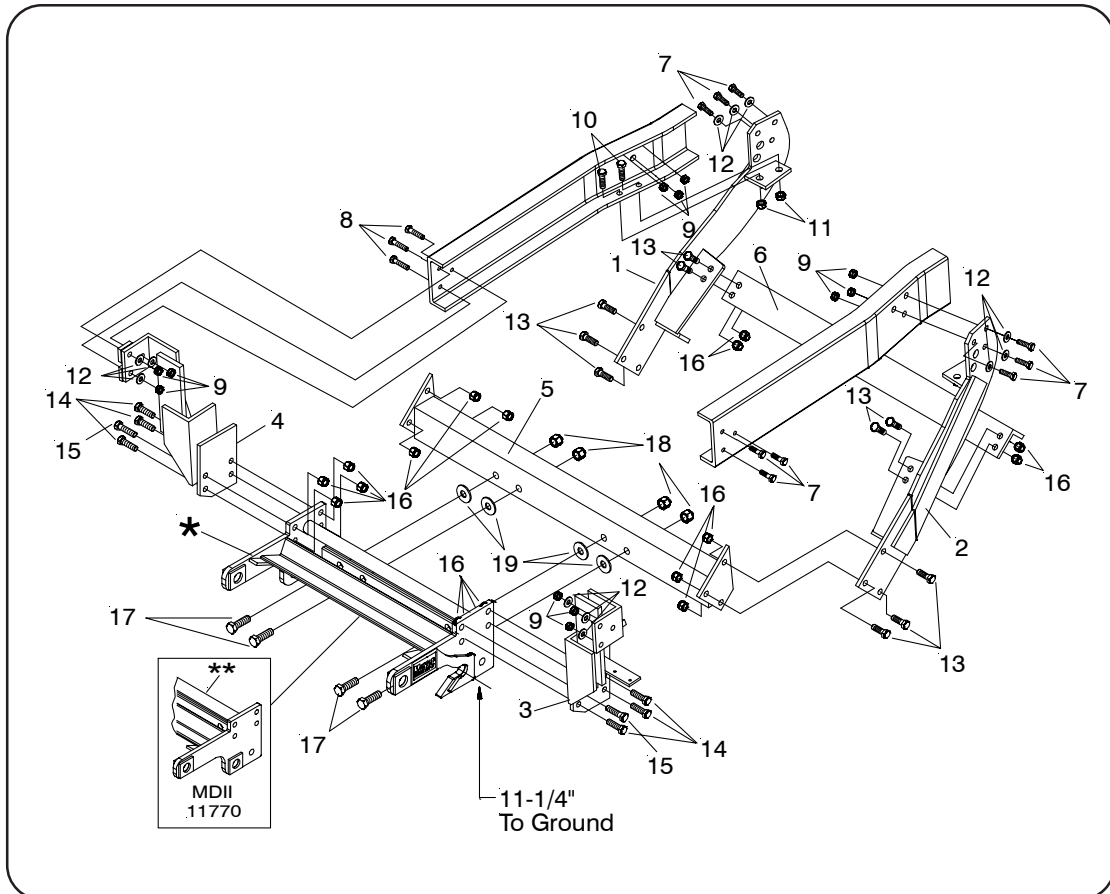
Locknuts are furnished **DO NOT** tighten bolts and nuts until installation is complete (unless otherwise specified), then be sure to tighten all attaching parts per specified torque chart.

TORQUE CHART FOOT

Bolt Nut Size	Gr. 2	Gr. 5	Gr. 8
1/4 - 20	4 - 5		
5/16 - 18	9 - 11		
3/8 - 16	17 - 20	26 - 29	
7/16 - 14		42 - 46	60 - 66
1/2 - 13		64 - 72	90 - 100
5/8 - 11		127 - 141	179 - 198

NOTE:

THIS MOUNTING CARTON CAN BE USED WITH THE MDII OR EZ MOUNT PLUS CLF CARTONS.



⚠ WARNING

- A ballast weight may be required to prevent front GAWR overloading. If required, ballast must be securely attached at least 24 inches behind the rear axle.

⚠ WARNING

- Front end wheel alignment and headlight aim may require readjustment after installation of equipment, and is the responsibility of the equipment installer. Failure to adjust front wheel alignment may cause premature uneven tire wear. If required, reset to chassis manufacturer's specifications found in the Mitsubishi Shop Manual.

Rear ballast is determined by weighing a vehicle's front and rear axles and adding weight behind the rear axle until front axle weight is under or equal to the vehicle specific front GAWR while not exceeding the rear GAWR and GVWR.

Vehicle option packages may vary. If in doubt, it is always a good idea to weigh the vehicle to ensure all weight ratings are not exceeded with plow in the raised position.

INSTALLATION INSTRUCTIONS

- A. FRONT HANGERS:** Remove and discard the three 10mm bolts holding each vehicle bumper bracket to the frame rails. Place the driver's side front hanger (3) and the passenger's side front hanger (4) onto the inside surface of its respective frame rail. Attach using three M10 -1.25 x 35mm Capscrews (7) on the Driver Side and three M10 - 1.25 x 45mm Capscrews (8) on Passenger Side with 3/8" flatwashers (12) through each front hanger, frame rail, and bumper bracket. Fasten using M10 - 1.25 (9) nuts.
- B. DRIVER'S SIDE SIDE MEMBER:** Tilt the vehicle cab forward and assemble a temporary cab prop to hold cab up and also to prevent it from tilting too far forward. Remove and discard the three 10mm bolts holding the original cab prop bracket to the drivers sideframe rail. Place a jack under the drivers side end of the radiator support cross member to hold it against the frame rail. Remove the two 12mm bolts and nuts holding the driver's side end of the radiator support cross member to the frame rail. Discard the 12mm bolts and M12-1.25 nuts. Install the driver's side side member (2) onto the outside of the frame rail with the three small holes in the side member lined up with the three holes in the frame rail that the cab prop bracket bolts were removed from.

Fasten the cab prop bracket and rear vertical section of the side member to the frame rail using three M10 - 1.25 x 35mm capscrews (7) and 3/8" flatwashers (12). Place two M12 - 1.25 x 40mm capscrews (10) down through the holes in the bottom flange of the frame rail, radiator support cross member, and horizontal bolting section of the side member. Fasten using M12 - 1.25 nuts (11). Remove the jack from under the radiator support cross member.

- C. PASSENGER'S SIDE MEMBER:** Place a jack under the passenger's side end of the radiator support cross member to hold it against the frame rail. Remove the two 12mm bolts and nuts holding the passenger's side end of the radiator support cross member to the frame rail. Discard the 12mm bolts and the M12 - 1.25 nuts. Install the passenger's side member (1) onto the outside of the frame rail with the three small holes in the rear section of the side member lined up with the three large holes in the vertical surface of the rail. Fasten using three M10 - 1.25 x 35mm capscrews (7), 3/8" flatwashers (12) and M10 - 1.25 nuts (9). Place two M12 - 1.25 x 40mm capscrews (10) down through the holes in the bottom flange of the frame rail, radiator support cross member, and horizontal bolting section of the side member. Fasten using original equipment M12 - 1.25 nuts (11). Remove the jack from under the radiator support cross member.
- D. ANGLE:** Attach Angle (6) to the Push Arms (1 & 2) using 1/2-13 x 1-1/2" bolt (13) and 1/2" locknut (16).
- E. REAR BRACE:** Attach Rear Brace Weldment (5) to Push Arms (1 & 2) using 1/2-13 x 1-1/2" bolt (13) and 1/2" locknut (16).
- F. CLEVIS:** Attach Clevis (*) to Front Hangers (3 & 4) using 1/2-13 1-3/4" bolt (14), 1/2-13 x 2" bolt (15) and 1/2" locknut (16). Now attach Clevis (*) to Rear Brace Weldment (5) using 5/8 flatwasher (19) as a shim with 5/8-11 x 2" bolt (17) and 5/8" locknut (18).
- Note: Before tightening the fasteners, the Clevis Frame (*) should be level with the ground and pushed back as far under the vehicle as possible.**
- G.** Tighten all fasteners to their proper torque. Tighten bolts in the same order they were assembled to the vehicle.
- H.** Install remaining snowplow hardware per separate instructions.

Meyer Products or Diamond Equipment assumes no responsibility for installations not made in accordance with these instructions.

4. Summary

The snowplough retaining device to be fitted onto N1 category vehicles, the specimen presented and tested, and the further types presented as per the documentation, are compliant in terms of design and safety.

The salt spreader retaining device to be fitted onto N1 category vehicles, the specimen presented and tested, and the further types presented as per the documentation, are compliant in terms of design and safety.

The snowplough retaining devices can be installed onto motor vehicles of the following types:

Car type	Watling		Meyer_DrivePro	
	Type Code	Year	Type Code	Year
Volkswagen Amarok (since 2011)	PVW63DT	2011-	17182	2011-
Volkswagen T5 (2007-2010)	0		18515	2007-2010
Toyota Hilux (since 2005)	PTY107DT	2005-	18517	2010-
Toyota Hilux (1997-2005)	PTY109DT	1998-2005	0	
Toyota Landcruiser (2003-2009)	PTY110DT	2003-2009	0	
Mitsubishi L200 (since 2006)	PCM61ADT	2006-	18522	2010-
Mitsubishi L200 (1987-2006)	PCM62DT	1998-2006	0	
Mitsubishi Canter (1998-2004)	0		17131	1998-2004
Mitsubishi Canter (2005-2009)	0		17155	2005-2009
Nissan NP 300 (since 2010)	0		18521	2010-
Nissan NP 300 (1998-2005)	0		0	
Nissan D22 (1998-2005)	PDSN115DT	1998-2005	0	
Nissan Navara D40 (since 2005)	PDSN116DT	2005-	18506	2010-
Nissan Cabstar (since 2005)	0		17132	2005-
Isuzu D-Max/Rodeo Pick-Up (2003-2012)	PIZU19ADT	2003-2012	18516	2003-2012
Isuzu D-Max/Rodeo Pick-Up (since 2012)	PIZU20DT		0	
Ford Ranger (since 2012)	PF103DT	2012-	0	
Ford Ranger (2006-2012)	0		17178	2010-2012
Ford Ranger (since 1998-2006)	PMAZ44DT	1998-2006	18501	1998-2009
Ford Transit Van (since 2006)	PF102DT	2006-	0	
Mazda BT-50 (since 2012)	PF103DT	2012-	0	
Mazda BT-50 (2006-2012)	0		17178	2010-2012
Mazda B2500 (1998-2006)	PMAZ44DT	1998-2006	0	
Mercedes Benz Sprinter 144" with chassis (since 2008)	0		17177	2008-
Mercedes Benz Sprinter Van/ Dodge Sprinter 3500 (since 2006)	PMB49DT	2006-	0	
Jeep Wrangler TJ (1997-2006)	0		18509	1997-2006
Jeep Wrangler JK (since 2007)	PAM38DT	2007-	18507	2007-
Jeep Liberty (since 2003)	0		18503	2003-
Land Rover Defender (1990-1994)	0		0	
Land Rover Defender 90 and 100 (since 1984)	PRO21ADT	1984-	0	
Land Rover Defender (since 1995)	0		18519	1995-
hveco daily 4x4 (2006-2012)	0		17180	2006-2012
hveco daily 2x4 (since 2006)	0		18523	2006-
CITROEN Relay Van & Chassis Cab	PP47DT	2006-2012	0	
FIAT Ducato Van & Chassis Cab	PP47DT	2006-2012	0	
PEUGEOT Boxer Van & Chassis Cab	PP47DT	2006-2012	0	
TOYOTA Landcruiser 1995-2002	PTY111DT	1995-2002	0	

Installation of the snowplough retaining device leaves the width and length of the vehicle unchanged.