



PARTS & INSTALLATION INSTRUCTIONS SNOW PLOW MDII™ MOUNTING 1999 and Later New Body Style GMC and Chevrolet K2500, K2500HD, & K3500 Series 4x4 Models

IMPORTANT NOTICE

End user must be given this instruction sheet prior to delivery of this Snow Plow.

The equipment you have just purchased should only be used on vehicles equipped with the Manufacturer's Snow Plow Preparation Packages. Snow Plowing without the original Snow Plow Preparation Package may damage your vehicle and the added weight to the equipment may impair the operation and control of the vehicle. Snow Plowing with a vehicle that the manufacturer does not recommend for that purpose may void your new vehicle warranty. If your vehicle is not originally equipped with the Snow Plow Package, additional parts may be necessary before snow plowing. Owners of these vehicles should consult their dealers before purchase or installation of such parts. CAUTION: the installation, on any vehicle, of these parts is not a full substitute for the original equipment Snow Plow Preparation Package.

Warning: Lift Arm extends beyond bumper of vehicle. To minimize damage from a front-end collision, Lift Arm should be removed from vehicle when Snow Plow is removed.

Parts List			
Item	Part No.	Qty	Description
	17120	1	MDII™ Mounting Carton
1	11810	1	• Underframe
2	11812	1	• R.H. Side Mount Weld
3	11813	1	• L.H. Side Mount Weld
4	11891	1	• Connector Bracket K2500
	08735	1	• Hardware Bag
5	11636	2	•• Sleeve
6	20096	8	•• Bolt H 1/2-13 x 1-3/4" Gr. 5
7	20141	4	•• Bolt H 5/8-11 x 2" Gr.5
8	20152	3	•• Bolt H 5/8-11 x 5" Gr.5
9	22182	4	•• Bolt H M12 x 1.75 x 40mm Gr. 10.9
10	20307	8	•• Locknut Esna 1/2-13
11	20309	7	•• Locknut Esna 5/8-11
12	20355	4	•• Flatwasher 1/2"
13	20357	18	•• Flatwasher 5/8"
	21976	2	•• Battery Connector
*	11770	1	Universal Lift Frame (Packed in CLF Carton)
11" Sector		15" Sector	
MEYER			
	Part No.	Part No.	Qty
			Description
	16515	16516	1
	21534	21534	2
	12326	12793	1
	13711	13715	1
	07017	-----	3
	-----	07017	4
	09916	09916	1
	08738	08739	1
DIAMOND			
	81504		1
	817000104		2
	8511002008059		1
	811000095		2
	80389		1
	81026		1

Parts indented are included in the carton, bag or assembly under which they are indented.

Meyer Products and Diamond Equipment reserves the right, under its continuing product improvement program, to change construction or design details, specifications and prices without notice or without incurring any obligation.

Meyer Products
18513 Euclid Ave. • Cleveland, Ohio 44112-1084
Phone 486-1313 (Area Code 216)
www.meyerproducts.com • email inf@meyerproducts.com



Diamond Equipment
Old Route 1 RR #1 • Damariscotta, ME 04543-9720
Phone 563-2227 (Area Code 207)
www.diamondplow.com • email info@diamondplow.com

General Information

CAUTION: Always disconnect battery before beginning installation.

DO NOT BURN holes or **WELD** vehicle frame. This may cause frame failure.

After first use, retighten all mounting bolt connections to specified torque. All mounting bolt connections to be checked periodically for tightness.

Locknuts are furnished **DO NOT** tighten bolts and nuts until installation is complete (unless otherwise specified), then be sure to tighten all attaching parts per specified torque chart.

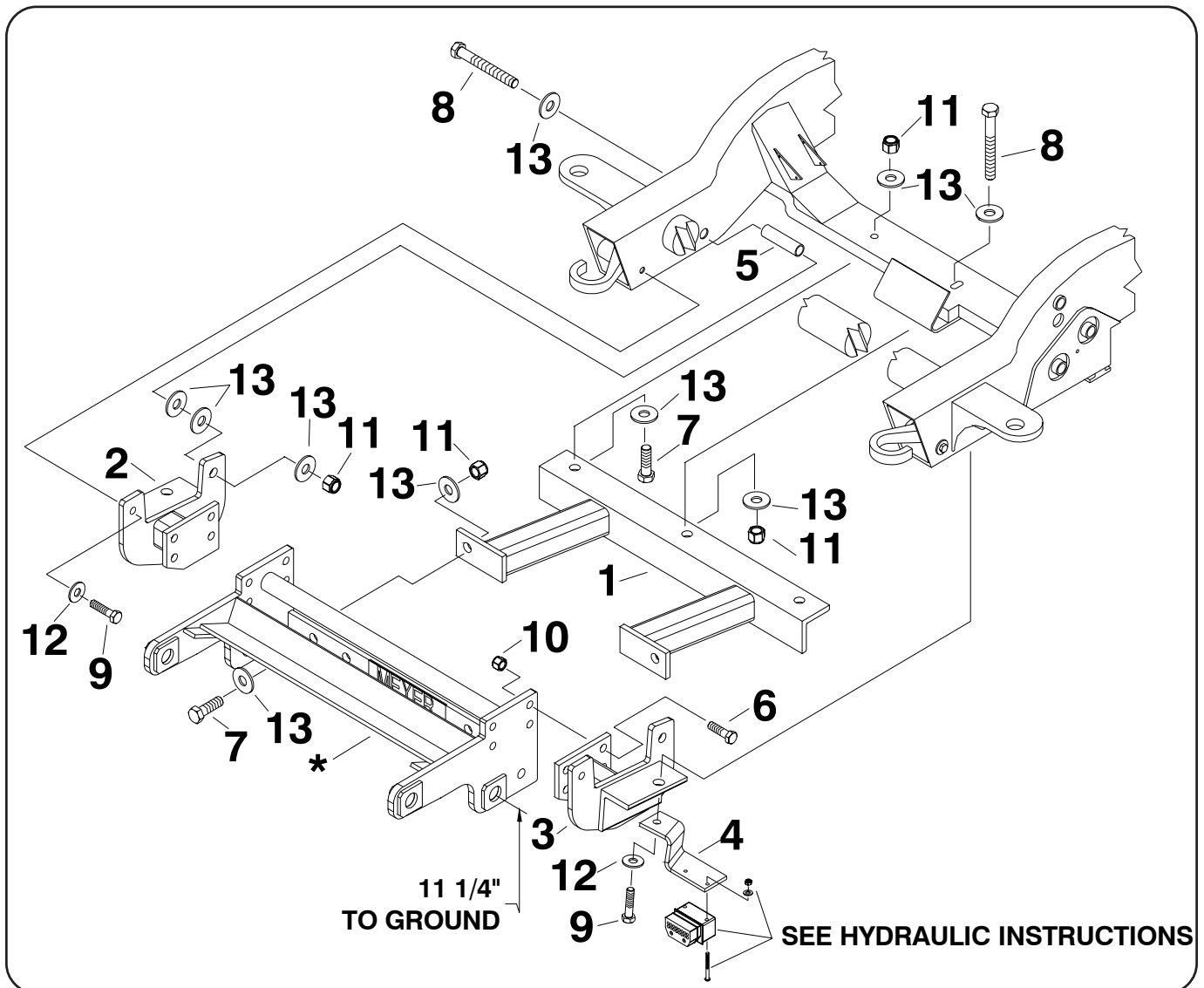
SAFETY PRECAUTIONS should be used when **Hydraulic Unit is in OPERATION** and plow is in a **RAISED** position. **Lower plow to ground when vehicle is PARKED.**

NOTE: It is important that the Meyer harness, all wires from the Meyer light switch, and all other electrical wires be routed around hot or moving engine parts, and any sharp metal. Protection must be provided to guard against wire damage at these points. All excess or loose wires must be neatly secured using wire ties.

Check contents against the parts list to determine all are correct and included, and also to familiarize yourself with them.

FOLLOW THESE INSTRUCTIONS EXPLICITLY. Warranty does not apply to a Meyer or Diamond product which has been negligently or improperly assembled or installed.

OVERHAUL and **SERVICE INFORMATION** are covered on separate instructions.



VEHICLE RECOMMENDATIONS

General Motors Corp.

General Motors recommends snowplow usage for only those trucks that have the option "VYU" Snow Plow Preparation Package.

General Motors recommends that when a snow plow is mounted that only one passenger should accompany the driver. More than one passenger may exceed front gross axle weight ratings.

1999 thru 2000

Model G.V.W. Opt.Code Frt. G.V.W.R.

Regular/Extended Cab

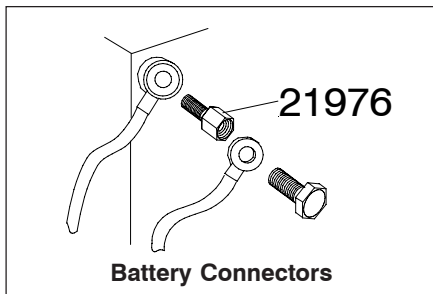
	C 2500	7200 lb.	(C5Z)	4100 lb.
	C 2500	8600 lb.	(C6P)	4100 lb.
	K 2500	8600 lb.	(C6P)	4500 lb.
2001	All Models	9200 lb.	(C6W)	4800 lb.
	C/K 3500	8600 lb.	(C6P)	4500 lb.
2001	All Models	11400 lb.	(C7W)	4800 lb.

Cab Chassis Regular Cab only

	C 3500	8600 lb.	(C6P)	4100 lb.
	K 3500	8600 lb.	(C6P)	4500 lb.
2001	C/K 3600	12000 lb.	(C7L)	4800 lb.

Sport Utility Vehicles

	Model	G.V.W.	Opt.Code	Frt. G.V.W.R.
2000	C2500	8600	(VYU)	4100 lb.
2000	K2500	8600	(VYU)	4500 lb.



TORQUE CHART FOOT LBS.

Bolt Nut Size	Gr. 2	Gr. 5	Gr. 8
1/4 - 20	4 - 5		
5/16 - 18	9 - 11		
3/8 - 16	17 - 20	26 - 29	
7/16 - 14		42 - 46	60 - 66
1/2 - 13		64 - 72	90 - 100
5/8 - 11		127 - 141	179 - 198
3/4 - 10		227 - 251	

Meyer Products or Diamond Equipment assumes no responsibility for installations not made in accordance with these instructions.

INSTALLATION INSTRUCTIONS

- Remove air dam. Retain all hardware. The air dam may be reinstalled.
 - Remove splash shield. It will not be reused. Hardware will not be reused.
 - Remove tow hook bolts from the bottom flange and inside of the frame rail on both driver and passenger sides. Retain hardware. They will not be reused.
 - Position LH & RH side mounts (2&3) on the inside of frame rails and align to where tow hook bolts were removed. Attach the side mounts using M12 x 1.75 x 40mm bolts (9), and 1/2" washers (12) into tow hooks. Note: Connector bracket (4) will be installed in step H. **Snug all bolts during the installation. Do not torque any bolts until step K.**
 - Using the rear holes in side mounts (2&3) as templates drill a 21/32" hole all the way through the frame on both sides. Remove side mounts and re-drill the insides of the frame ONLY with a 27/32" bit. This will allow for the installation of sleeve (5).
 - Loosely reattach the side mounts (2&3) using M12 x 1.75 x 40mm bolts (9), & 1/2" washers (12) on the inside of frame rails **ONLY**.
 - Loosely attach side mounts (2&3) at hole "A" using 5/8-11x 5" bolts (8), sleeves (5), 5/8" washers (13), and 5/8-11 locknut (11), see illustration. Note: Two extra washers (13) per side have been provided to take up space between the vehicle frame and side mounts if needed.
 - Loosely reattach the RH side mount (2) the bottom of vehicle frame using a M12 x 1.75 x 40mm bolt (9) and 1/2" washer (12). Repeat for the LH side mount (3) with connector bracket (4) sandwiched between the washer and the mount. **Note:** The front edge of connector bracket (4) should be square with the front of the vehicle.
 - Attach the Universal Clevis (*) between the LH & RH Side Mounts (2&3) using four 1/2-13 x 1-3/4" Bolts (6), and 1/2-13 Locknuts (10) on each side.
 - Position underframe (1) behind universal clevis' bottom angle. Using 5/8-11x 2" bolts (7), 5/8" washers (13), and 5/8-11 locknuts (11), attach underframe to the back of the universal clevis and underneath the frame cross member per illustration. Using a 5/8-11x 5" bolt (8), 5/8" flatwasher (13), and 5/8-11 locknut (11), finish attachment of underframe to vehicle crossmember per illustration (Note: Bolt (13) is installed from the top).
- Note: Before tightening the fasteners, the Clevis Frame (*) should be level with the ground and pushed back as far under the vehicle as possible.**
- Tighten all fasteners to their proper torque. Tighten bolts in the same order they were assembled to the vehicle.
 - Install remaining snowplow hardware per separate instructions.