

PARTS & INSTALLATION INSTRUCTIONS

MEYER EZ-SWEEP and SNOW PLOW MOUNTING

1999 GMC and Chevrolet K 1500 Series 4x4 Models

IMPORTANT NOTICE

End user must be given this instruction sheet prior to delivery of this Snow Plow.

The equipment you have just purchased should only be used on vehicles equipped with the Manufacturer's Snow Plow Preparation Packages. Snow Plowing without the original Snow Plow Preparation Package may damage your vehicle and the added weight to the equipment may impair the operation and control of the vehicle. Snow Plowing with a vehicle that the manufacturer does not recommend for that purpose may void your new vehicle warranty. If your vehicle is not originally equipped with the Snow Plow Package, additional parts may be necessary before snow plowing. Owners of these vehicles should consult their dealers before purchase or installation of such parts. **CAUTION:** the installation, on any vehicle, of these parts is not a full substitute for the original equipment Snow Plow Preparation Package.

Warning: Lift Arm extends beyond bumper of vehicle. To minimize damage from a front-end collision, Lift Arm should be removed from vehicle when Snow Plow is removed.

PART LIST

ITEM	PART NO.	QTY.	DESCRIPTION
	17118	1	MOUNTING CARTON
1	11730	1	• Clevis Frame
2	11725	1	• Under Frame
3	10514	1	• Lift Arm
4	11544	2	• Receiver Tube Cap
5	22223	1	• Handle bolt, Washer
	08717	1	• HARDWARE BAG
6	22280	4	•• Handle bolt, Washer
7	11006	2	•• Hinge Pin
8	11669	2	•• Sleeve
9	20141	2	•• Bolt H 5/8-11 x 2" Gr. 5
10	20144	1	•• Bolt H 5/8-11 x 2-3/4" Gr. 5
11	20146	2	•• Bolt H 5/8-11 x 3-1/4" Gr. 5
12	20097	4	•• Bolt H 1/2-13 x 2" Gr.5
13	20109	2	•• Bolt H 1/2-13 x 6" Gr.5
14	20355	18	•• Flatwasher 1/2"
15	20357	8	•• Flatwasher 5/8"
16	20307	10	•• Locknut Esna 1/2-13
17	20309	6	•• Locknut Esna 5/8-11
	21976	2	•• Battery Connectors
18	21984	2	•• Hair Pin Cotter
	08626	1	• Kit - Light Elevation
19	11368	2	•• Bracket
20	20095	2	•• Bolt 1/2-13 x 1-1/2" Gr. 5
21	20307	2	•• Locknut Esna 1/2-13
22	11255	1	LIFT FRAME (Tubular)
11" Sector			
Item	Part No.	Qty.	Description
	16505	1	SECTOR - A-FRAME CARTON
	12326	1	• Sector
23	13612	1	• A- Frame
	07017	3	• Trip Spring
	09916	1	• Marker Kit
	08166	1	• PLOW HARDWARE BAG
	09119	2	•• Pivot Pin w/Cotter
24	11101	2	•• Hinge Pin
25	22083	2	•• Linch Pin
	09122	1	•• King Bolt w/Locknut
	09124	3	•• Eye Bolt w/Locknuts

Parts indented are included in the carton, bag or assembly under which they are indented. When ordering parts, furnish Part No., Name, and Description. Also furnish Vehicle Model and Year. Type of Hydraulic Unit and Moldboard Size.

Meyer Products reserves the right, under its continuing product improvement program, to change construction or design details, specifications and prices without notice or without incurring any obligation.

GENERAL INFORMATION

CAUTION: Always disconnect battery before beginning installation.

DO NOT BURN holes or **WELD** vehicle frame. This may cause frame failure.

After first use, retighten all mounting bolt connections to specified torque. All mounting bolt connections to be checked periodically for tightness.

Locknuts are furnished **DO NOT** tighten bolts and nuts until installation is complete (unless otherwise specified), then be sure to tighten all attaching parts per specified torque chart.

NOTE: It is important that the Meyer harness, all wires from the Meyer light switch, and all other electrical wires be routed around hot or moving engine parts, and any sharp metal. Protection must be provided to guard against wire damage at these points. All excess or loose wires must be neatly secured using wire ties.

Check contents against the parts list to determine all are correct and included, and also to familiarize yourself with them.

SAFETY PRECAUTIONS should be used when **Hydraulic Unit is in OPERATION** and plow is in a **RAISED** position. **Lower plow to ground when vehicle is PARKED.**

OVERHAUL and **SERVICE INFORMATION** are covered on separate instructions.

Follow these instructions explicitly. Warranty does not apply to a Meyer product which has been negligently or improperly assembled or installed.

General Motors Corp.

General Motors recommends snowplow usage for only those trucks that have the option "VYU" Snow Plow Preparation Package.

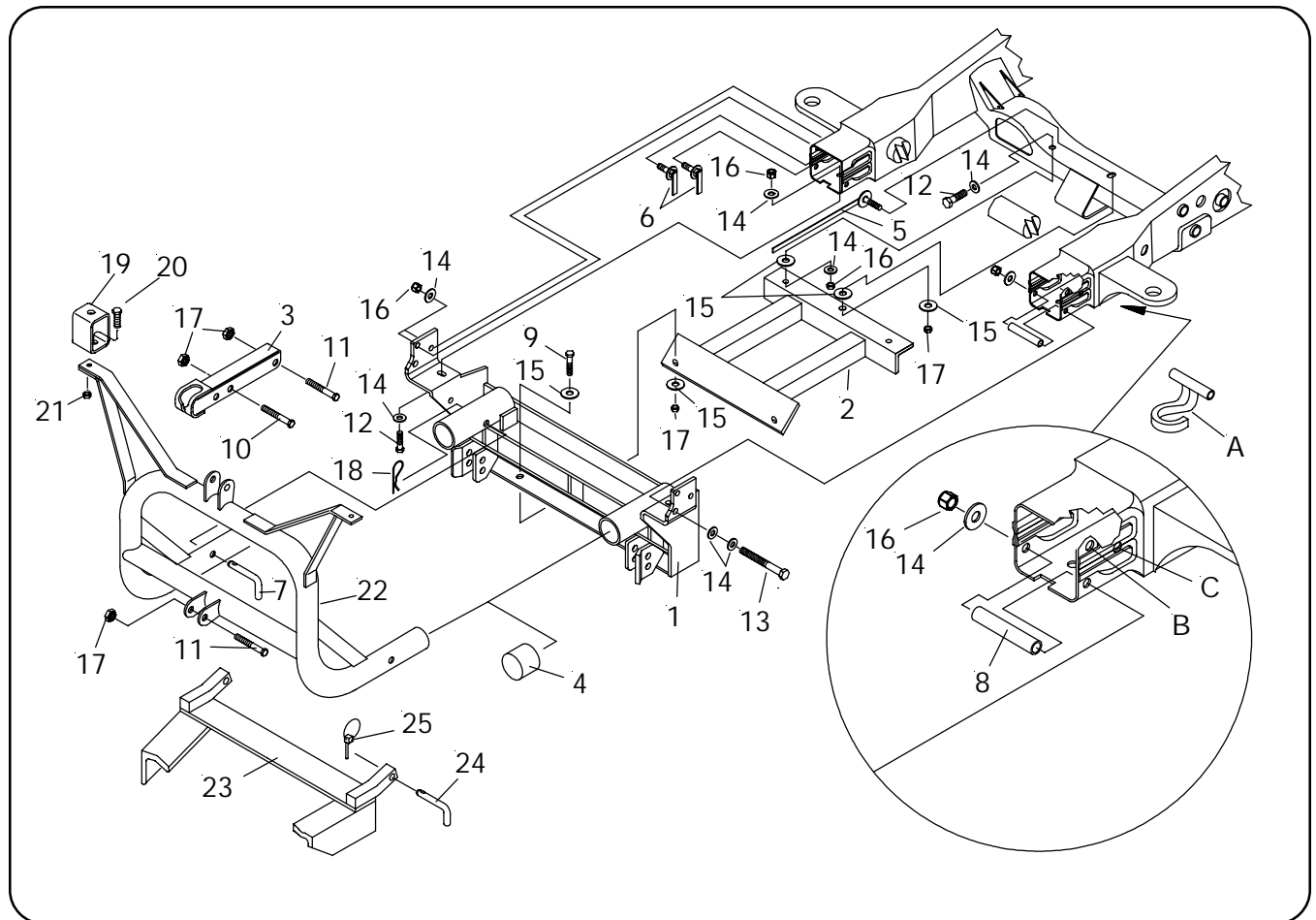
General Motors recommends that when a snow plow is mounted that only one passenger should accompany the driver. More than one passenger may exceed front gross axle weight ratings.

<u>Model - K1500</u>	<u>G.V.W.</u>	<u>Opt.Code</u>	<u>Fr. G.V.W.R.</u>
<u>Reg. Cab only</u>			
119" W.B. 1999-cur.	6100 lb.	(C5M)	3925 lb.
133" W.B. 2001-cur.	6400 lb.	(C7H)	3925 lb.

Vehicles Not Recommended:

- 1500 Extended Cab Pickups
- 1500 Chevy Avalanche
- 1500 Chevy Tahoe/Suburban
- 1500 GMC Yukon/Yukon Denali
- 1500 GMC Sierra Denali (AWD)
- Cadillac Escalade/ Escalade EXT

Meyer Products assumes no responsibility for installations not made in accordance with these instructions.



INSTALLATION INSTRUCTIONS

- A. Remove air dam. Retain all hardware. The air dam may be reinstalled.
 - B. Remove splash shield. Retain. It will not be reused. Hardware will not be reused.
 - C. Remove tow hook "A" from both driver and passenger side frame rails. Retain, they will not be reused. **NOTE: On some GMC models removal of the bumper may be necessary.**
 - D. Position clevis frame (1) on outsides of the frame rails and align holes to where tow hook bolts were removed. Attach clevis to bottom tow hook hole under the rails with 1/2-13 x 2" bolts (12), 1/2 flatwashers (14), and 1/2 locknuts (16). Attach front hole of clevis frame using 1/2-13 x 6" bolts (13), 1/2 flatwashers (14), sleeves (8), and 1/2 locknuts (16). **Note: Snug all bolts during the installation. Do not torque down any bolts until step H.**
 - E. Using the clevis frame as a template, drill two 9/16" holes at "B" and "C" on the outside of the frame rails only. **Notes: Hole "B" may be on some frames from the factory. Optional fog lamps may need to be removed during drilling.** Remove 1/2-13 x 6" bolts (13), 1/2" flatwashers (14), sleeves (8), and 1/2-13 locknuts (16). Attach holes "B" and "C" using Handle Bolt/Washers (5), 1/2" flatwashers (14), and 1/2" locknut (16). Reinstall the 1/2-13 x 6" bolts (13), 1/2" flatwashers (14), sleeves (8), and 1/2-13 locknuts (16). Do not tighten at this time.
 - F. Position underframe (2) behind clevis frame's bottom angle. Attach underframe (2) to clevis frame (1), using 5/8-11 x 2" bolts (9), 5/8 flatwashers (15), and 5/8 locknuts (17).
 - G. Attach rear of underframe (2) to the three holes in the vehicle crossmember. All bolts must be installed thru the tear drop shaped opening on either side of vehicle crossmember. Attach to the outer two holes in vehicle crossmember using 1/2-13 x 2" bolts (12), 1/2 flatwashers (14), and 1/2 locknut (16), and at the center hole using handle bolt (4), 5/8" flatwasher (15), and 5/8 locknut (17). **Note: Flatwashers (15) should be placed between the crossmember and underframe on all three holes.**
- Note: Before tightening the fasteners, the clevis frame should be pushed back as far as possible under the vehicle.**
- H. Tighten all fasteners to their proper torque. Tighten bolts in the same order they were assembled to the vehicle.
 - I. Reinstall bumper if removed. Reinstall air dam if desired, notch out around clevis frame as needed.

Important Notice: Current production lift frames have additional stops (Part No. 10626) tack welded to the existing stops. (See illustration.) Depending upon the S.A.F. Carton being installed, additional stops may need to be added or removed.

- J. When installing S.A.F. Carton 16505, lift frame should have the additional stops (Part No. 10626).

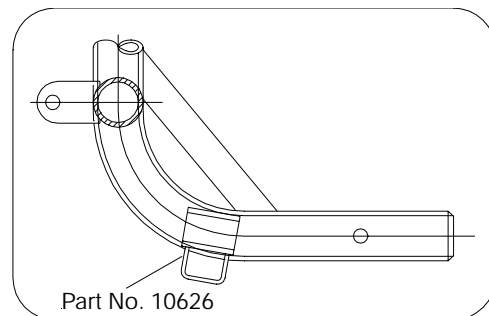
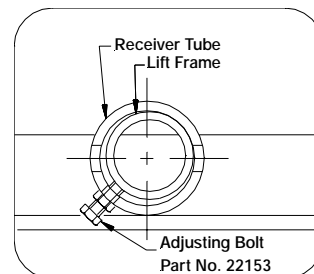
Note: Before installing lift frame tubing to clevis frame, liberally coat ends of lift frame with chassis grease / anti-seize lubricant.

- K. Install Lift Frame (22) into the tubes on the clevis frame. Turn adjusting bolts in until contact is made with lift frame.

Caution: Do not over tighten adjustment bolts. Adjust bolts for minimum clearance between lift frame and receiver tubes while still allowing for ease of lift frame removal. See illustration. Secure lift frame (22) to clevis frame (1) using hinge Pins (7) and hair pin cotters (18).

- L. Attach lift arm (3) to lift frame (22) using 5/8-11 x 3-1/4" bolt (11) and 5/8 locknut (17). Mount Hydraulic unit to lift frame using 5/8-11 x 3-1/4" bolt (11) and locknut (17), and to lift arm (3) using 5/8-11 x 2-3/4" bolt (10) and 5/8 locknut (17). **(SEE WARNING)**
- M. Install Light Extension Kit 08626 using Brackets (19), 1/2-13 x 1-1/2" bolt (20) and Locknut (21)
- N. Install hydraulic system and snow plow lights per separate instructions.
- O. Pre-Assemble Moldboard Assembly, A-Frame (23), Sector, ect., per separate instructions.
- P. Attach the A-Frame chain to the Lift Arm (3) allowing sufficient slack to enable the Moldboard to follow ground contour while plowing.

Note: When the lift frame module (22) is removed from the vehicle, the insides of the clevis frame (1) receiver tubes and outside ends of the lift frame should be coated with chassis grease/anti-seize lubricant and the protective receiver tube caps (6) install over the clevis frame receiver tubes.



TORQUE CHART FOOT LBS.

Bolt Nut Size	Gr. 2	Gr. 5	Gr. 8
1/4 - 20	4 - 5		
5/16 - 18	9 - 11		
3/8 - 16	17 - 20	26 - 29	
7/16 - 14		42 - 46	60 - 66
1/2 - 13		64 - 72	90 - 100
5/8 - 11		127 - 141	179 - 198
3/4 - 10		227 - 251	