

## PARTS & INSTALLATION INSTRUCTIONS MEYER SNOW PLOW MOUNTING for 1987 AND Later JEEP WRANGLER (YJ)

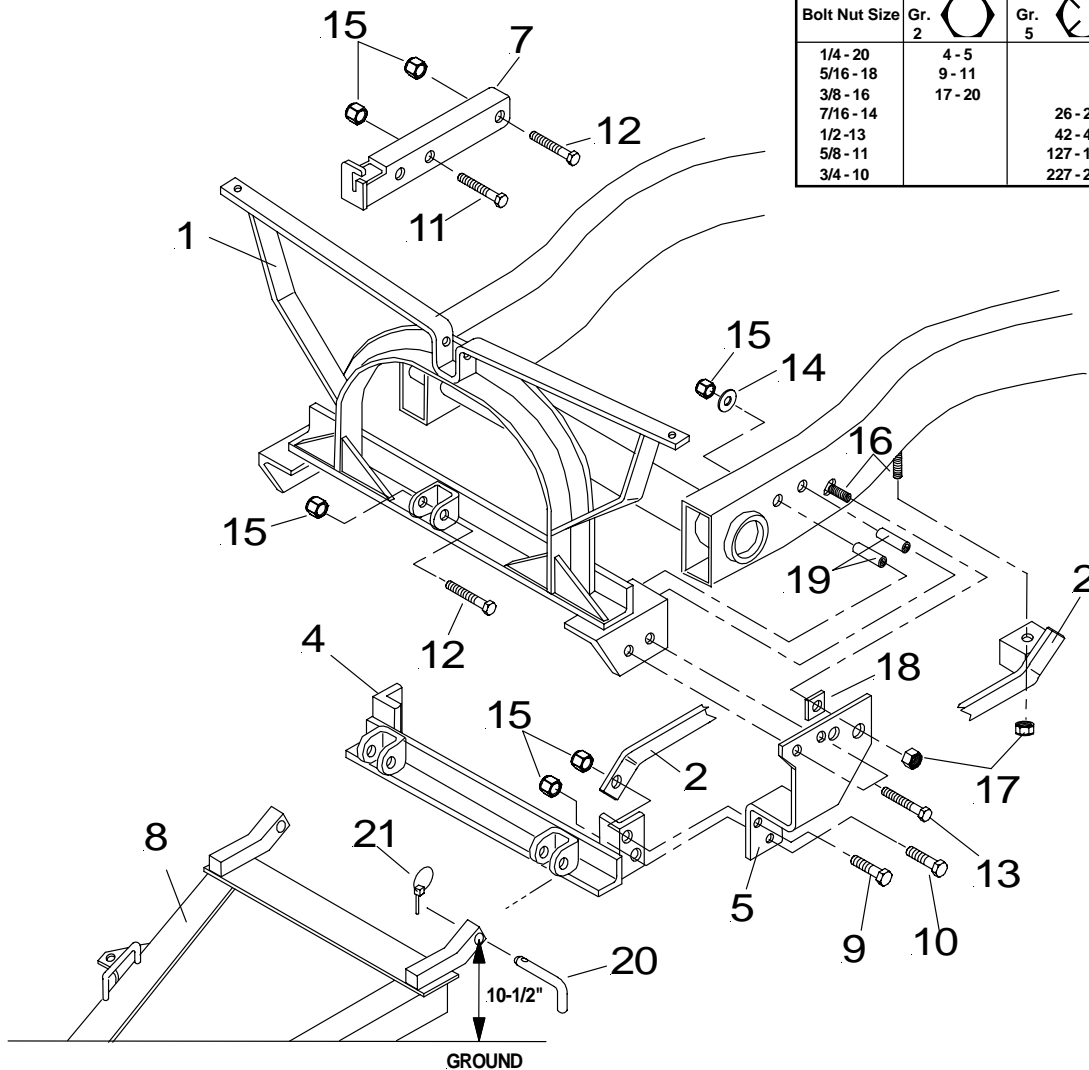
### IMPORTANT NOTICE

End user must be given this instruction sheet prior to delivery of this snow plow.

The equipment you have purchased should only be used on vehicles equipped with the manufacturer's snow plow preparation package. Snow plowing without the original snow plow preparation package may damage your vehicle and the added weight of the equipment may impair the operation and control of the vehicle. Snow plowing with a vehicle that the manufacturer does not recommend for that purpose may void your new vehicle warranty. If your vehicle is not originally equipped with the snow plow preparation package, additional parts may be necessary before snow plowing. Owners of these vehicles should consult their dealers before purchase or installation of such parts. **CAUTION:** The installation, on any vehicle, of these parts is not a full substitute for the original equipment snow plow preparation package. **WARNING:** Lift arm extends beyond bumper of vehicle. To minimize damage from a front-end collision. Lift arm should be removed from vehicle when snow Plow is not in use.

### TORQUE CHART FOOT LBS.

Bolt Nut Size	Gr. 2	Gr. 5	Gr. 8
1/4 - 20	4 - 5		
5/16 - 18	9 - 11		
3/8 - 16	17 - 20		
7/16 - 14		26 - 29	
1/2 - 13		42 - 46	60 - 66
5/8 - 11		127 - 141	179 - 198
3/4 - 10		227 - 251	



Meyer Products reserves the right, under its continuing product improvement program, to change construction or design details, specifications and prices without notice or without incurring any obligation.

## PARTS LIST

Item	Part No.	Qty.	Description
	17082	1	MOUNTING CARTON
1	10985	1	• Lift Frame
2	10987	1	• Underframe L.H.
3	10988	1	• Underframe R.H.
4	10986	1	• Clevis Frame
5	10989	1	• Side Plate L.H.
6	10990	1	• Side Plate R.H.
7	10514	1	• Lift Arm
8	13299	1	• A-Frame
	12326	1	• Sector
	07017	3	• Trip Spring
	08559	1	• HARDWARE BAG - MTG.
9	20140	2	•• Bolt H 5/8-11 x 1-3/4" Gr. 5
10	20141	2	•• Bolt H 5/8-11 x 2" Gr. 5
11	20144	1	•• Bolt H 5/8-11 x 2-3/4" Gr. 5
12	20147	3	•• Bolt H 5/8-11 x 3-1/2" Gr. 5
13	20150	2	•• Bolt H 5/8-11 x 4-1/2" Gr. 5
14	20357	4	•• Flat Washer, 5/8
15	20309	5	•• Locknut 5/8-11
16	14595	4	•• Special Bolt
17	20310	2	•• Lock Nut 3/4-10
18	10797	2	•• Spacer Plate
19	11005	4	•• Frame Spacer
	08563	1	• PLOW HARDWARE BAG
	09119	2	•• Pivot Pin w/Cotter Pin
20	11006	2	•• Hinge Pin
21	22083	2	•• Linch Pin
	09122	1	•• King Bolt w/Nut
	09124	3	•• Eye Bolt w/Nuts
	09916	1	• PLOW MARKER KIT
	08201	2	•• Plow Marker Ass'y.
	12816	2	•• Clamp
	20005	2	•• Bolt H 1/4-20 x 1
	20312	2	•• Locknut 1/4-20

Parts indented are included in the carton, bag or assembly under which they are indented.

## GENERAL INFORMATION

**CAUTION:** Always disconnect battery before beginning installation.

**DO NOT** burn holes or weld vehicle frame. This may cause frame failure.

Check contents against the parts to determine all are correct and included.

Locknuts are furnished. All bolts are grade 5, all locknuts are nylon insert type. **DO NOT** tighten bolts and nuts until installation is complete (unless otherwise specified), then be sure to tighten all attaching parts per specified torque chart.

After first use, retighten all mounting bolt connections to specified torque. All Mounting bolt connections to be checked periodically for tightness.

When ordering parts furnish Part No., Name and Description. Also furnish Vehicle Model and Year, Type of Hydraulic Unit and Plow Size.

## INSTALLATION INSTRUCTIONS

- A. Remove front plastic piece from behind bumper; it will not be reused. Put in cab for customer.
- B. Insert Frame Spacers (19) in holes in vehicle frame and set Lift Frame (1) in position.
- C. Install Special Bolts (16) in side and bottom of vehicle frame. Put Spacer Plate (18) on Special Bolt (16) located on side of frame.

- D. Attach Sideplates (5 and 6) on top of Lift Frame (1) using 5/8 x 4-1/2" Bolts (13), 5/8 Flatwashers (14) and 5/8 Locknuts (15). Install 3/4 Locknut (17) on Special Bolt (16) previously installed in side of vehicle frame.

### DO NOT TIGHTEN FASTENERS AT THIS TIME.

- E. Loosely attach Underframes (2 and 3) to Special Bolt (16) installed in bottom of vehicle frame using 3/4 Locknut (17).
- F. While holding Clevis Frame (4) in position, align lower holes of Clevis Frame (4) and Sideplates (5 and 6) with hole in end of Underframes (2 and 3). Install 5/8 x 2" Bolt (10) and 5/8 Locknut (15). Install 5/8 x 1-3/4" Bolt (9) and 5/8 Locknut (15) in top holes of Sideplates (5 and 6) and Clevis Frame (4).

- G. Pull forward on Lift Frame (1) and push back on Clevis Frame (4) to take slack out of bolt holes. Beginning with Lift Frame, tighten all fasteners to proper torque as shown on torque chart.

- H. Assemble Lift Arm (7) to Lift Frame (1) with 5/8 x 3-1/2 Bolt (12) and 5/8 Locknut (15). Attach Electro-touch unit to rear hole of Lift Arm (7) using 5/8 x 2-3/4 Bolt (11) and 5/8" Locknut (15) and to bottom Clevis on Lift Frame (1) using 5/8 x 3-1/2" Bolt (12) and 5/8 Locknut (15).

- I. Install hydraulic system and snow plow lights per separate instructions.

- J. Pre-assemble Moldboard. A-Frame and Sector per separate instructions.

- K. Connect A-Frame to Clevis Frame using Hinge Pins (20) and Linch Pin (21).

- L. Hook the A-Frame chain to Lift Arm (7) allowing sufficient slack to enable the moldboard to follow ground contour while plowing.

**Notice: Meyer Products, Inc. assumes no responsibility for installations not made in accordance with these instructions.**