

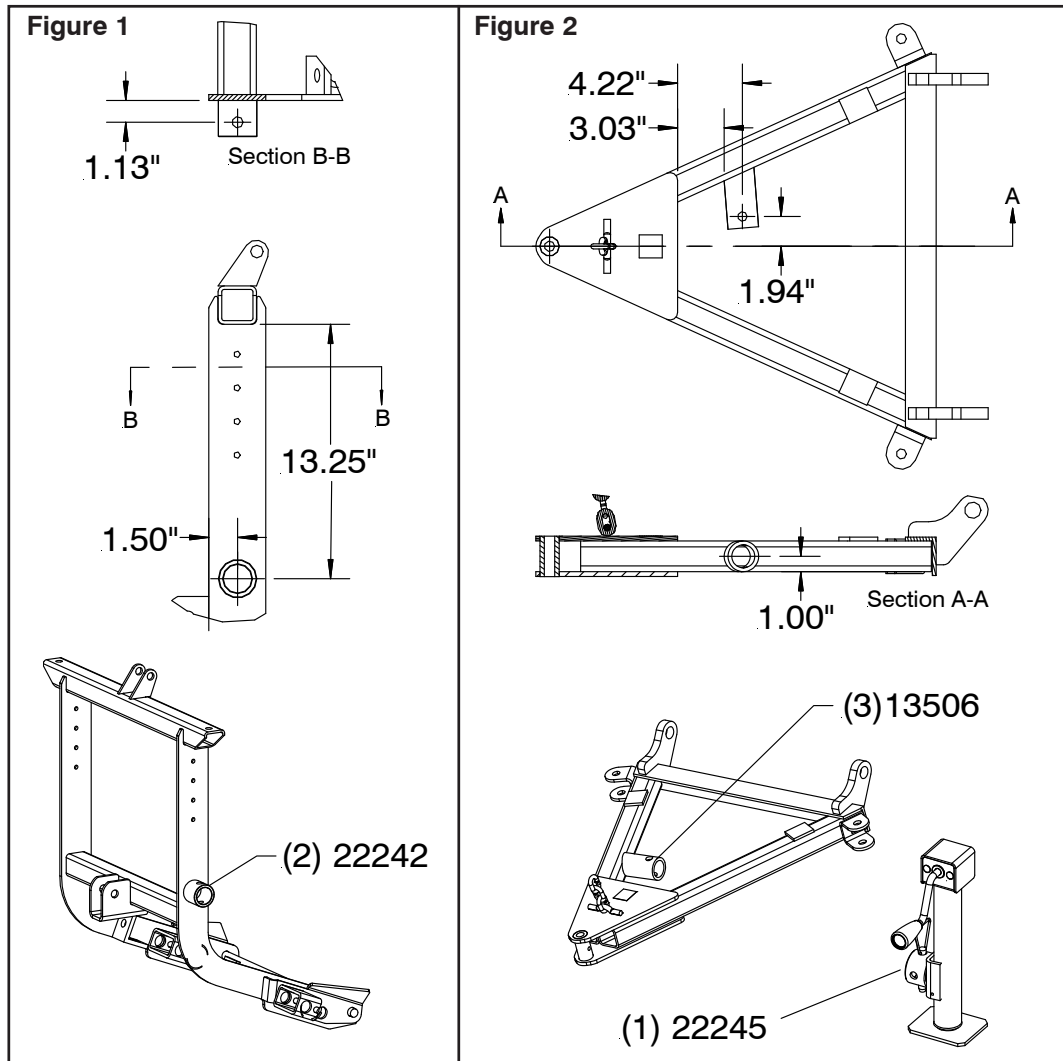
# Parts & Installation Instructions

## Drive Pro Mounting System

### Crankstand Retrofit Kit 08361

#### INSTALLATION INSTRUCTIONS

- A. Position Lift Frame Jack Lug (2) onto lift frame as shown in figure 1 and mark its location. Weld Lift Frame Jack Lug to lift frame at 120 degree intervals, 1 inch long. Prime and Paint welded area on Lift Frame.
- B. Position A-Frame Jack Lug (3) onto a-frame as shown in figure 2 and mark its location. Weld A-Frame Jack Lug to a-frame with continuous weld 360 degrees. Prime and Paint welded area on A-Frame.



#### Parts List

Item	Part No.	Qty.	Description
	08361		<b>Crankstand Retrofit Kit</b>
1	22245	1	• Crankstand
2	22242	1	• Lift Frame Jack Lug
3	13506	1	• A-Frame Jack Lug

Parts indented are included in the assembly under which they are indented.

Meyer Products LLC reserves the right, under its continuing product improvement program, to change construction or design details, specifications and prices without notice or without incurring any obligation.