

PARTS & INSTALLATION INSTRUCTIONS MEYER SNOW PLOW MOUNTING 17082DP for 1987 thru 1996 JEEP WRANGLER (YJ)

IMPORTANT NOTICE

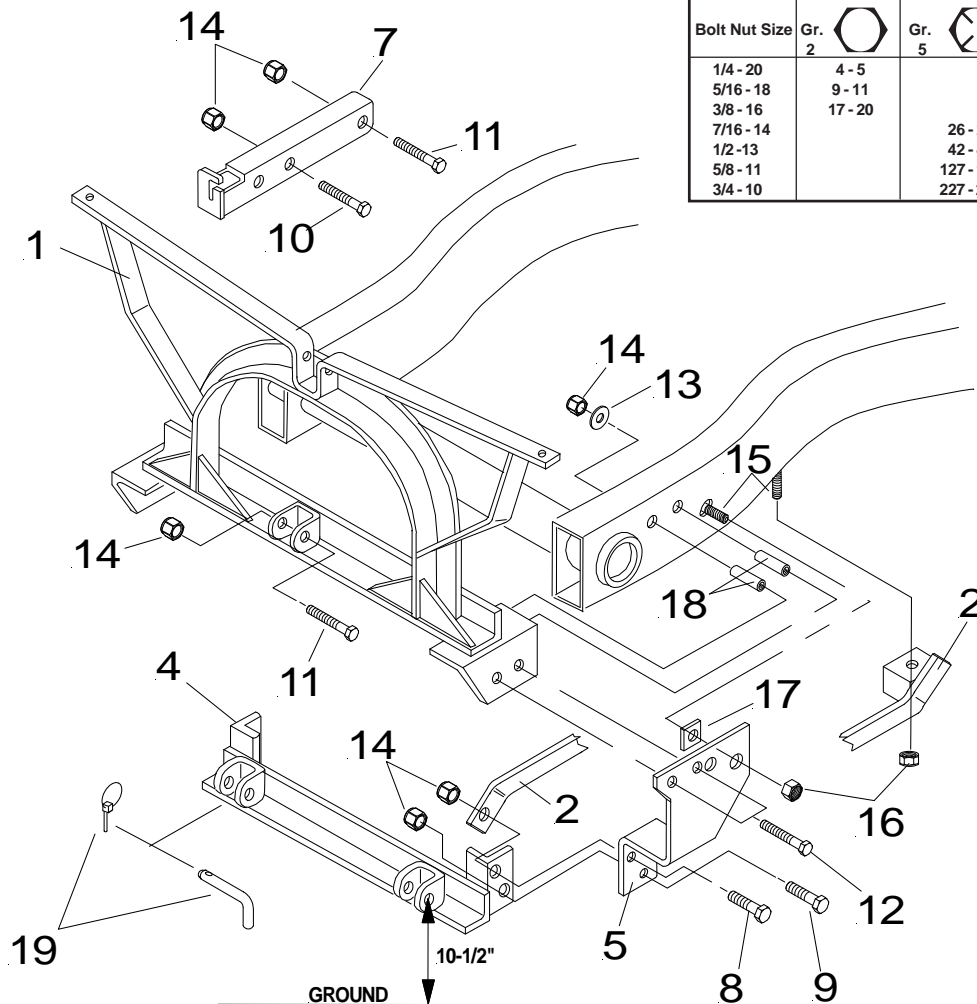
End user must be given this instruction sheet prior to delivery of this snow plow.

The equipment you have purchased should only be used on vehicles equipped with the manufacturer's snow plow preparation packages. Snow plowing without the original snow plow preparation package may damage your vehicle and the added weight of the equipment may impair the operation and control of the vehicle. Snow plowing with a vehicle that the manufacturer does not recommend for that purpose may void your new vehicle warranty. If your vehicle is not originally equipped with the snow plow preparation package, additional parts may be necessary before snow plowing. Owners of these vehicles should consult their dealers before purchase or installation of such parts.

CAUTION: The installation, on any vehicle, of these parts is not a full substitute for the original equipment snow plow preparation package.
WARNING: Lift arm extends beyond bumper of vehicle. To minimize damage from a front-end collision. Lift arm should be removed from vehicle when snow Plow is not in use.

TORQUE CHART FOOT LBS.

Bolt Nut Size	Gr. 2	Gr. 5	Gr. 8
1/4 - 20	4 - 5		
5/16 - 18	9 - 11		
3/8 - 16	17 - 20		
7/16 - 14		26 - 29	
1/2 - 13		42 - 46	60 - 66
5/8 - 11		127 - 141	179 - 198
3/4 - 10		227 - 251	



Meyer Products reserves the right, under its continuing product improvement program, to change construction or design details, specifications and prices without notice or without incurring any obligation.

Meyer Products LLC
18513 Euclid Ave. • Cleveland, Ohio 44112-1084
Phone 486-1313 (Area Code 216)
www.meyerproducts.com • email info@meyerproducts.com

Meyer Products LLC
6 Angell Lane • Damariscotta, ME 04543-4507
Phone 563-2227 (Area Code 207)
www.meyerproducts.com • email info@meyerproducts.com



PARTS LIST

Item	Part No.	Qty.	Description
	17082DP	1	MOUNTING CARTON
1	10985	1	• Lift Frame
2	10987	1	• Underframe L.H.
3	10988	1	• Underframe R.H.
4	10986	1	• Clevis Frame
5	10989	1	• Side Plate L.H.
6	10990	1	• Side Plate R.H.
7	10514	1	• Lift Arm
	13540	1	• A-Frame
	12590	1	• Pivot bar
	07178	2	• Trip Spring
	08559	1	• HARDWARE BAG - MTG.
8	20140	2	•• Bolt H 5/8-11 x 1-3/4" Gr. 5
9	20141	2	•• Bolt H 5/8-11 x 2" Gr. 5
10	20144	1	•• Bolt H 5/8-11 x 2-3/4" Gr. 5
11	20147	3	•• Bolt H 5/8-11 x 3-1/2" Gr. 5
12	20150	2	•• Bolt H 5/8-11 x 4-1/2" Gr. 5
13	20357	4	•• Flat Washer, 5/8
14	20309	5	•• Locknut 5/8-11
15	14595	4	•• Special Bolt
16	20310	2	•• Lock Nut 3/4-10
17	10797	2	•• Spacer Plate
18	11005	4	•• Frame Spacer
	08154	1	• PLOW HARDWARE BAG
	20406	3	•• Cotter Pin 3/16" x 1-1/2"
	22274	1	•• Hex Nut 1-8 Slotted
	09124	2	•• Eye Bolt w/Nuts
	22333	2	•• Hex Head Pin w/grease fittg.
	22398	1	•• King Bolt 1-8 x 5-1/2"
19	08670C	1	• Plow Pin Kit
	09917	1	• Plow Marker Kit

Parts indented are included in the carton, bag or assembly under which they are indented.

GENERAL INFORMATION

CAUTION: Always disconnect battery before beginning installation.

DO NOT burn holes or weld vehicle frame. This may cause frame failure.

Check contents against the parts to determine all are correct and included.

Locknuts are furnished. All bolts are grade 5, all locknuts are nylon insert type. **DO NOT** tighten bolts and nuts until installation is complete (unless otherwise specified), then be sure to tighten all attaching parts per specified torque chart.

After first use, retighten all mounting bolt connections to specified torque. All Mounting bolt connections to be checked periodically for tightness.

When ordering parts furnish Part No., Name and Description. Also furnish Vehicle Model and Year, Type of Hydraulic Unit and Plow Size.

INSTALLATION INSTRUCTIONS

- A. Remove front plastic piece from behind bumper; it will not be reused. Put in cab for customer.
- B. Insert Frame Spacers (18) in holes in vehicle frame and set Lift Frame (1) in position.
- C. Install Special Bolts (15) in side and bottom of vehicle frame. Put Spacer Plate (17) on Special Bolt (15) located on side of frame.

- D. Attach Sideplates (5 and 6) on top of Lift Frame (1) using 5/8 x 4-1/2" Bolts (12), 5/8 Flatwashers (13) and 5/8 Locknuts (14). Install 3/4 Locknut (16) on Special Bolt (15) previously installed in side of vehicle frame.

DO NOT TIGHTEN FASTENERS AT THIS TIME.

- E. Loosely attach Underframes (2 and 3) to Special Bolt (15) installed in bottom of vehicle frame using 3/4 Locknut (16).

- F. While holding Clevis Frame (4) in position, align lower holes of Clevis Frame (4) and Sideplates (5 and 6) with hole in end of Underframes (2 and 3). Install 5/8 x 2" Bolt (9) and 5/8 Locknut (14). Install 5/8 x 1-3/4" Bolt (8) and 5/8 Locknut (14) in top holes of Sideplates (5 and 6) and Clevis Frame (4).

- G. Pull forward on Lift Frame (1) and push back on Clevis Frame (4) to take slack out of bolt holes. Beginning with Lift Frame, tighten all fasteners to proper torque as shown on torque chart.

- H. Assemble Lift Arm (7) to Lift Frame (1) with 5/8 x 3-1/2 Bolt (11) and 5/8 Locknut (14). Attach Electro-touch unit to rear hole of Lift Arm (7) using 5/8 x 2-3/4 Bolt (10) and 5/8" Locknut (14) and to bottom Clevis on Lift Frame (1) using 5/8 x 3-1/2" Bolt (11) and 5/8 Locknut (14).

- I. Install hydraulic system and snow plow lights per separate instructions.

- J. Pre-assemble Moldboard. A-Frame and Sector per separate instructions.

- K. Connect A-Frame to Clevis Frame using Plow Pin Kit (19).

- L. Hook the A-Frame chain to Lift Arm (7) allowing sufficient slack to enable the moldboard to follow ground contour while plowing.

Notice: Meyer Products, Inc. assumes no responsibility for installations not made in accordance with these instructions.